



The Mayfair is the perfect combination of aesthetic appeal and optimum illumination performance.

Manufactured in the UK with the latest Osram LEDs and a choice of 4 optics to create the perfect lighting design.

Options include Mini Photocell, Emergency, Colour Temperature and Beam Angle.

Mayfair 15W - LED Wall/Post Light

Architectural Lighting

Option 1



Option 2

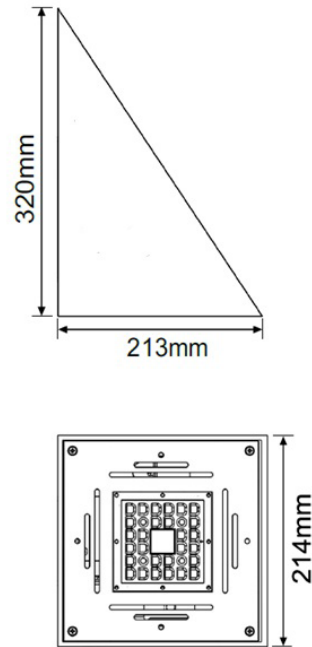
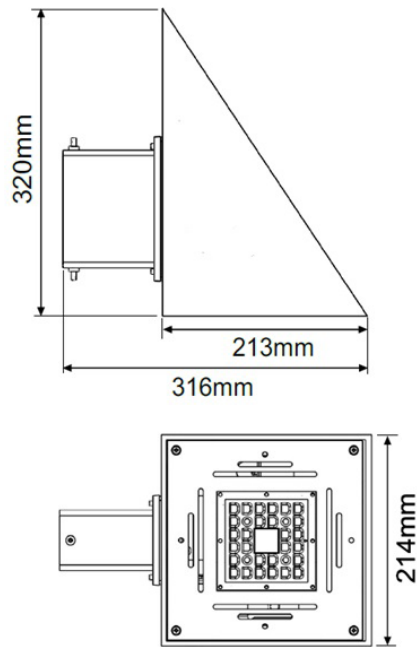


Features

- LED rating 2,310lm (4000K & 6000K).
- LED rating 1,960lm (3000K)
- Luminaire flux 2,079lm (4000K & 6000K).
- Luminaire flux 1,764lm (3000K)
- Total wattage 15W.
- -20 to +40°C operating temperature.
- LED life span > 100,000hrs.
- Osram LED and Osram Driver.
- Easy access to LED and Driver via a removable base plate.
- Options include Mini Photocell, Dali and Emergency.
- Luminaire body made of die-cast aluminium.
- Choice of 4 optics for the perfect lighting design.
- Can be fitted to wall with bracket (supplied) or flush.

Applications

- Pathways
- Office Buildings
- Walk Ways
- Perimeter Lighting
- Security
- Amenity Areas



Specifications

Mayfair 15W

Item Number	Description	Light Source	LED Rating (lm)	Total Wattage (W)	CCT (K)	CRI	Voltage (VAC)	Driver Current (mA)	Luminaire Flux (lm)	Luminaire Efficacy (lm/W)	Kg	Unit Colour (RAL)
Standard - Graphite Grey												
MF15-A1C-00GH-1	Mayfair-15W-LED-AC-6K-Std-RAL7024-Optic1	LED	2,310	15	6K	Ra>70	220-240	170	2,079	139	6	7024
MF15-A1N-00GH-1	Mayfair-15W-LED-AC-4K-Std-RAL7024-Optic1	LED	2,310	15	4K	Ra>70	220-240	170	2,079	139	6	7024
MF15-A1W-00GH-1	Mayfair-15W-LED-AC-3K-Std-RAL7024-Optic1	LED	1,960	15	3K	Ra>80	220-240	170	1,764	118	6	7024
Standard - Graphite Grey - Emergency												
MF15-A1C-01GH-1	Mayfair-15W-LED-AC-6K-Std-E3-RAL7024-Optic1	LED	2,310	15	6K	Ra>70	220-240	170	2,079	139	6.5	7024
MF15-A1N-01GH-1	Mayfair-15W-LED-AC-4K-Std-E3-RAL7024-Optic1	LED	2,310	15	4K	Ra>70	220-240	170	2,079	139	6.5	7024
MF15-A1W-01GH-1	Mayfair-15W-LED-AC-3K-Std-E3-RAL7024-Optic1	LED	1,960	15	3K	Ra>80	220-240	170	1,764	118	6.5	7024
Standard - Graphite Grey - Mini Photocell												
MF15-A1C-04GH-1	Mayfair-15W-LED-AC-6K-Std-M/Photocell-RAL7024-Optic1	LED	2,310	15	6K	Ra>70	220-240	170	2,079	139	6	7024
MF15-A1N-04GH-1	Mayfair-15W-LED-AC-4K-Std-M/Photocell-RAL7024-Optic1	LED	2,310	15	4K	Ra>70	220-240	170	2,079	139	6	7024
MF15-A1W-04GH-1	Mayfair-15W-LED-AC-3K-Std-M/Photocell-RAL7024-Optic1	LED	1,960	15	3K	Ra>80	220-240	170	1,764	118	6	7024
Standard - Graphite Grey - Mini Photocell - Emergency												
MF15-A1C-10GH-1	Mayfair-15W-LED-AC-6K-Std-M/Photocell-RAL7024-Optic1	LED	2,310	15	6K	Ra>70	220-240	170	2,079	139	6.5	7024
MF15-A1N-10GH-1	Mayfair-15W-LED-AC-4K-Std-M/Photocell-RAL7024-Optic1	LED	2,310	15	4K	Ra>70	220-240	170	2,079	139	6.5	7024
MF15-A1W-10GH-1	Mayfair-15W-LED-AC-3K-Std-M/Photocell-RAL7024-Optic1	LED	1,960	15	3K	Ra>80	220-240	170	1,764	118	6.5	7024

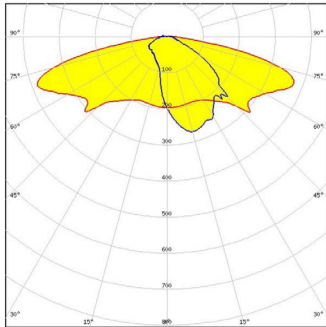
Specifications

Mayfair 15W

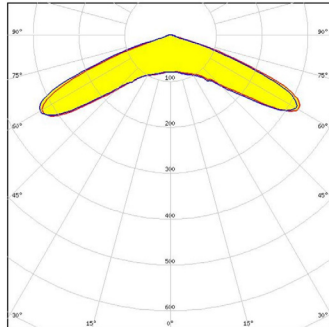
Item Number	Description	Light Source	LED Rating (lm)	Total Wattage (W)	CCT (K)	CRI	Voltage (VAC)	Driver Current (mA)	Luminaire Flux (lm)	Luminaire Efficacy (lm/W)	Kg	Unit Colour (RAL)
Dali - Graphite Grey												
MF15-A1C-20GH-1	Mayfair-15W-LED-AC-6K-Dali-RAL7024-Optic1	LED	2,310	15	6K	Ra>70	220-240	170	2,079	139	6	7024
MF15-A1N-20GH-1	Mayfair-15W-LED-AC-4K-Dali-RAL7024-Optic1	LED	2,310	15	4K	Ra>70	220-240	170	2,079	139	6	7024
MF15-A1W-20GH-1	Mayfair-15W-LED-AC-3K-Dali-RAL7024-Optic1	LED	1,960	15	3K	Ra>80	220-240	170	1,764	118	6	7024
Dali - Graphite Grey - Dali/Emergency												
MF15-A1C-32GH-1	Mayfair-15W-LED-AC-6K-Dali-Dali/E3-RAL7024-Optic1	LED	2,310	15	6K	Ra>70	220-240	170	2,079	139	6.5	7024
MF15-A1N-32GH-1	Mayfair-15W-LED-AC-4K-Dali-Dali/E3-RAL7024-Optic1	LED	2,310	15	4K	Ra>70	220-240	170	2,079	139	6.5	7024
MF15-A1W-32GH-1	Mayfair-15W-LED-AC-3K-Dali-Dali/E3-RAL7024-Optic1	LED	1,960	15	3K	Ra>80	220-240	170	1,764	118	6.5	7024

Legend: **M/Photocell** = Mini Photocell. **3K** = Warm White (3000K) **4K** = Neutral White (4000K). **6K** = Cool White (6000K).

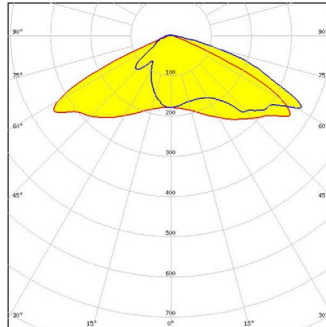
Optics (Change GH-1 to GH-2/ GH-3/ GH-4):



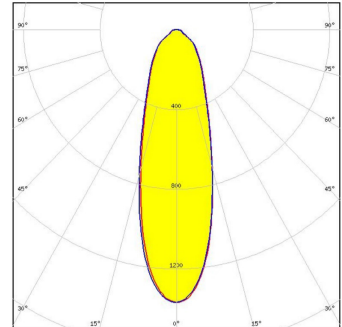
Optic 1 - Type II/III (long) beam for very wide pole to pole distances. Ideal for pedestrian paths and residential



Optic 2 - IESNA Type V (circular 360°) beam for wide areas lighting such as car parks.



Optic 3 - Wide IESNA Type IV forward-throw beam for wide area lighting like car parks.



Optic 4 - 30° spot beam.