



The Mayfair is the perfect combination of aesthetic appeal and optimum illumination performance.

Manufactured in the UK with the latest Osram LEDs and a choice of 4 optics to create the perfect lighting design.

Options include Mini Photocell, Emergency, Colour Temperature and Beam Angle.

## Mayfair 10W - LED Wall/Post Light

### Architectural Lighting

Option 1



Option 2

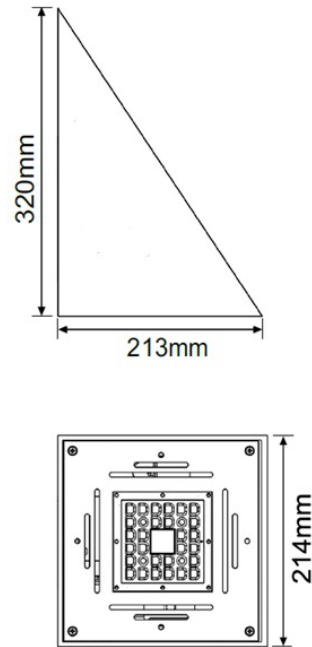
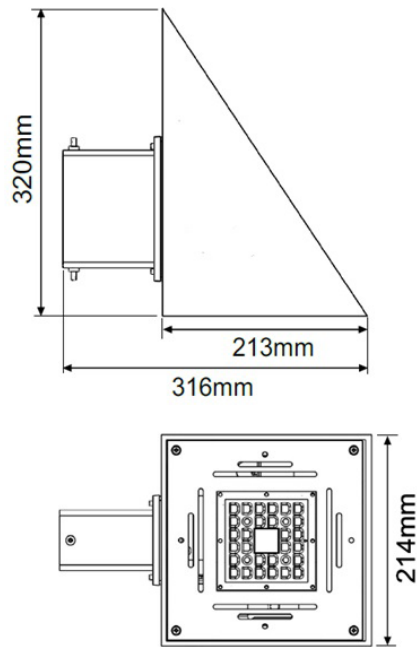


### Features

- LED rating 1,540lm (4000K & 6000K).
- LED rating 1,288lm (3000K)
- Luminaire flux 1,386lm (4000K & 6000K).
- Luminaire flux 1,159lm (3000K)
- Total wattage 10W.
- -20 to +40°C operating temperature.
- LED life span > 100,000hrs.
- Osram LED and Osram Driver.
- Easy access to LED and Driver via a removable base plate.
- Options include Mini Photocell, Dali and Emergency.
- Luminaire body made of die-cast aluminium.
- Choice of 4 optics for the perfect lighting design.
- Can be fitted to wall with bracket (supplied) or flush.

### Applications

- Pathways
- Office Buildings
- Walk Ways
- Perimeter Lighting
- Security
- Amenity Areas



## Specifications

### Mayfair 10W

Item Number	Description	Light Source	LED Rating (lm)	Total Wattage (W)	CCT (K)	CRI	Voltage (VAC)	Driver Current (mA)	Luminaire Flux (lm)	Luminaire Efficacy (lm/W)	Kg	Unit Colour (RAL)
<b>Standard - Graphite Grey</b>												
MF10-A1C-00GH-1	Mayfair-10W-LED-AC-6K-Std-RAL7024-Optic1	LED	1,540	10	6K	Ra>70	220-240	115	1,386	139	6	7024
MF10-A1N-00GH-1	Mayfair-10W-LED-AC-4K-Std-RAL7024-Optic1	LED	1,540	10	4K	Ra>70	220-240	115	1,386	139	6	7024
MF10-A1W-00GH-1	Mayfair-10W-LED-AC-3K-Std-RAL7024-Optic1	LED	1,288	10	3K	Ra>80	220-240	115	1,159	116	6	7024
<b>Standard - Graphite Grey - Emergency</b>												
MF10-A1C-01GH-1	Mayfair-10W-LED-AC-6K-Std-E3-RAL7024-Optic1	LED	1,540	10	6K	Ra>70	220-240	115	1,386	139	6.5	7024
MF10-A1N-01GH-1	Mayfair-10W-LED-AC-4K-Std-E3-RAL7024-Optic1	LED	1,540	10	4K	Ra>70	220-240	115	1,386	139	6.5	7024
MF10-A1W-01GH-1	Mayfair-10W-LED-AC-3K-Std-E3-RAL7024-Optic1	LED	1,288	10	3K	Ra>80	220-240	115	1,159	116	6.5	7024
<b>Standard - Graphite Grey - Mini Photocell</b>												
MF10-A1C-04GH-1	Mayfair-10W-LED-AC-6K-Std-M/Photocell-RAL7024-Optic1	LED	1,540	10	6K	Ra>70	220-240	115	1,386	139	6	7024
MF10-A1N-04GH-1	Mayfair-10W-LED-AC-4K-Std-M/Photocell-RAL7024-Optic1	LED	1,540	10	4K	Ra>70	220-240	115	1,386	139	6	7024
MF10-A1W-04GH-1	Mayfair-10W-LED-AC-3K-Std-M/Photocell-RAL7024-Optic1	LED	1,288	10	3K	Ra>80	220-240	115	1,159	116	6	7024
<b>Standard - Graphite Grey - Mini Photocell - Emergency</b>												
MF10-A1C-10GH-1	Mayfair-10W-LED-AC-6K-Std-M/Photocell-RAL7024-Optic1	LED	1,540	10	6K	Ra>70	220-240	115	1,386	139	6.5	7024
MF10-A1N-10GH-1	Mayfair-10W-LED-AC-4K-Std-M/Photocell-RAL7024-Optic1	LED	1,540	10	4K	Ra>70	220-240	115	1,386	139	6.5	7024
MF10-A1W-10GH-1	Mayfair-10W-LED-AC-3K-Std-M/Photocell-RAL7024-Optic1	LED	1,288	10	3K	Ra>80	220-240	115	1,159	116	6.5	7024

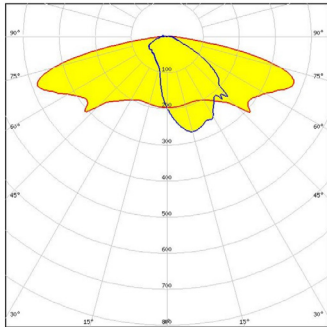
# Specifications

## Mayfair 10W

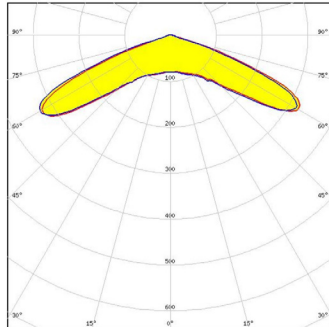
Item Number	Description	Light Source	LED Rating (lm)	Total Wattage (W)	CCT (K)	CRI	Voltage (VAC)	Driver Current (mA)	Luminaire Flux (lm)	Luminaire Efficacy (lm/W)	Kg	Unit Colour (RAL)
<b>Dali - Graphite Grey</b>												
MF10-A1C-20GH-1	Mayfair-10W-LED-AC-6K-Dali-RAL7024-Optic1	LED	1,540	10	6K	Ra>70	220-240	115	1,386	139	6	7024
MF10-A1N-20GH-1	Mayfair-10W-LED-AC-4K-Dali-RAL7024-Optic1	LED	1,540	10	4K	Ra>70	220-240	115	1,386	139	6	7024
MF10-A1W-20GH-1	Mayfair-10W-LED-AC-3K-Dali-RAL7024-Optic1	LED	1,288	10	3K	Ra>80	220-240	115	1,159	116	6	7024
<b>Dali - Graphite Grey - Dali/Emergency</b>												
MF10-A1C-32GH-1	Mayfair-10W-LED-AC-6K-Dali-Dali/E3-RAL7024-Optic1	LED	1,540	10	6K	Ra>70	220-240	115	1,386	139	6.5	7024
MF10-A1N-32GH-1	Mayfair-10W-LED-AC-4K-Dali-Dali/E3-RAL7024-Optic1	LED	1,540	10	4K	Ra>70	220-240	115	1,386	139	6.5	7024
MF10-A1W-32GH-1	Mayfair-10W-LED-AC-3K-Dali-Dali/E3-RAL7024-Optic1	LED	1,288	10	3K	Ra>80	220-240	115	1,159	116	6.5	7024

Legend: **M/Photocell** = Mini Photocell. **3K** = Warm White (3000K) **4K** = Neutral White (4000K). **6K** = Cool White (6000K).

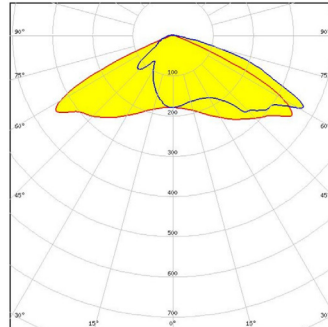
Optics (Change GH-1 to GH-2/ GH-3/ GH-4):



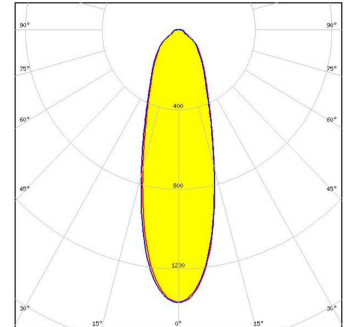
Optic 1 - Type II/III (long) beam for very wide pole to pole distances. Ideal for pedestrian paths and residential



Optic 2 - IESNA Type V (circular 360°) beam for wide areas lighting such as car parks.



Optic 3 - Wide IESNA Type IV forward-throw beam for wide area lighting like car parks.



Optic 4 - 30° spot beam.