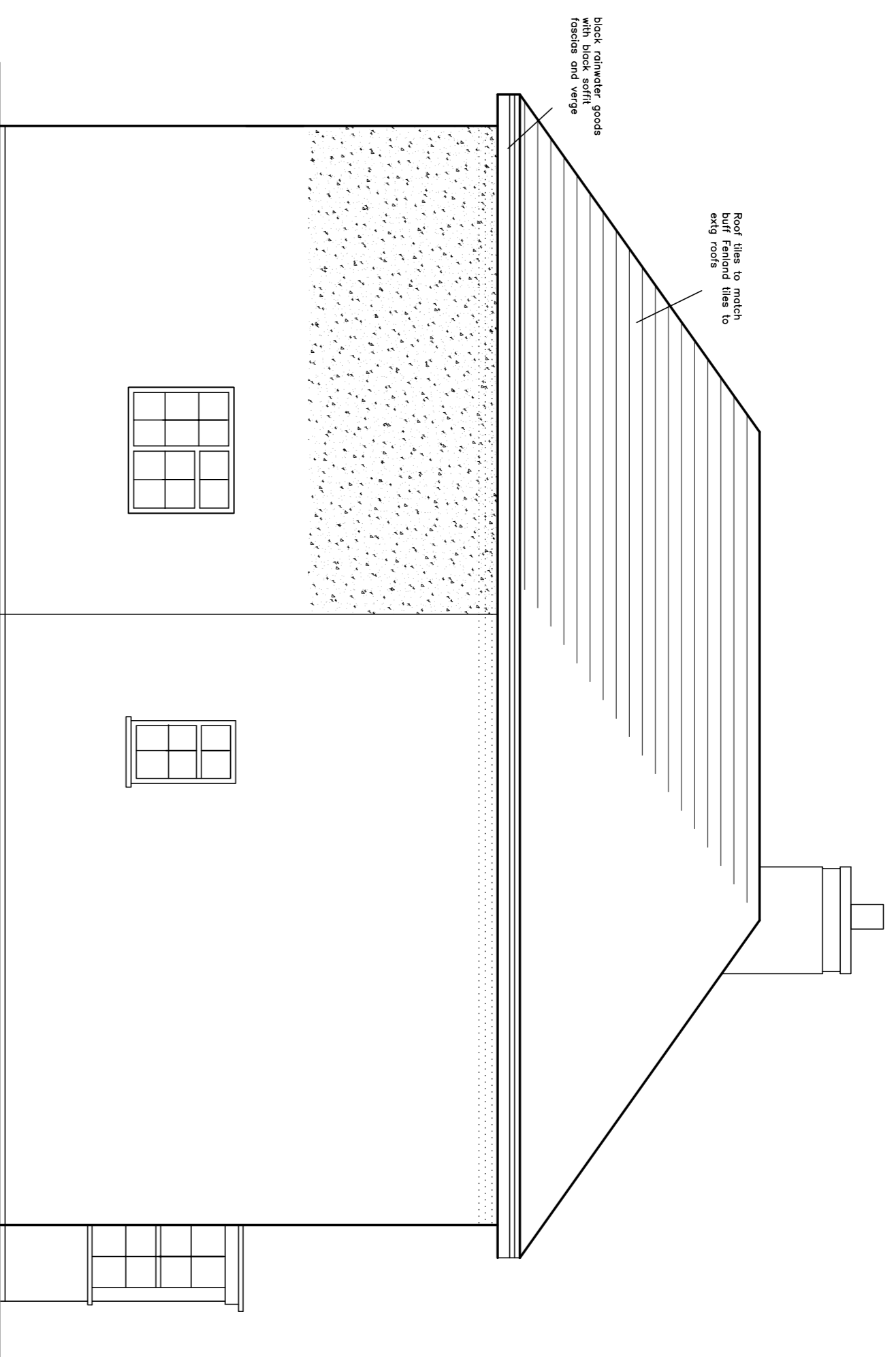
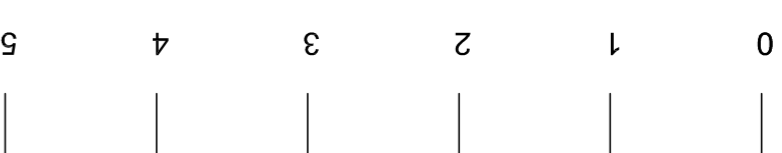
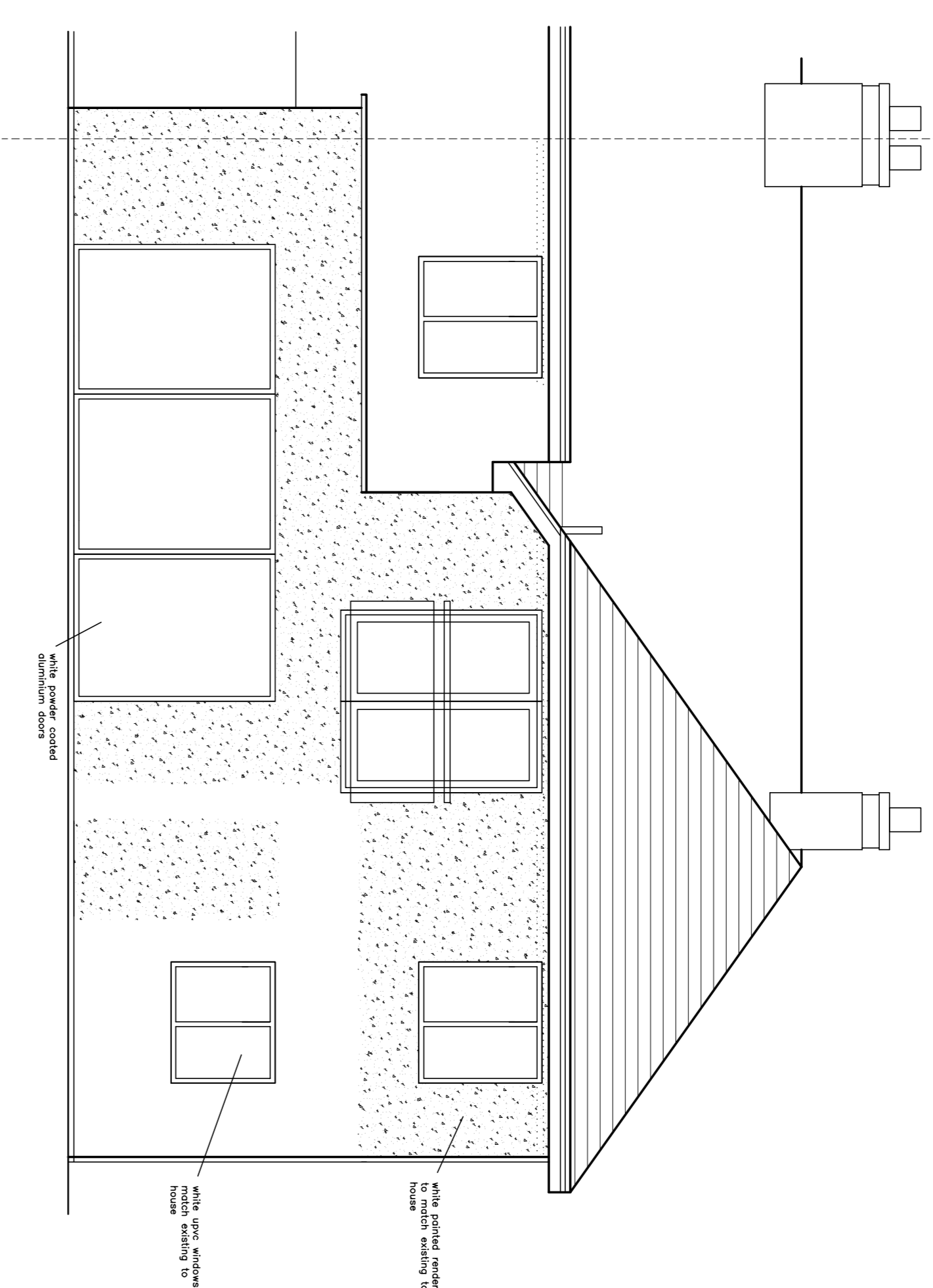


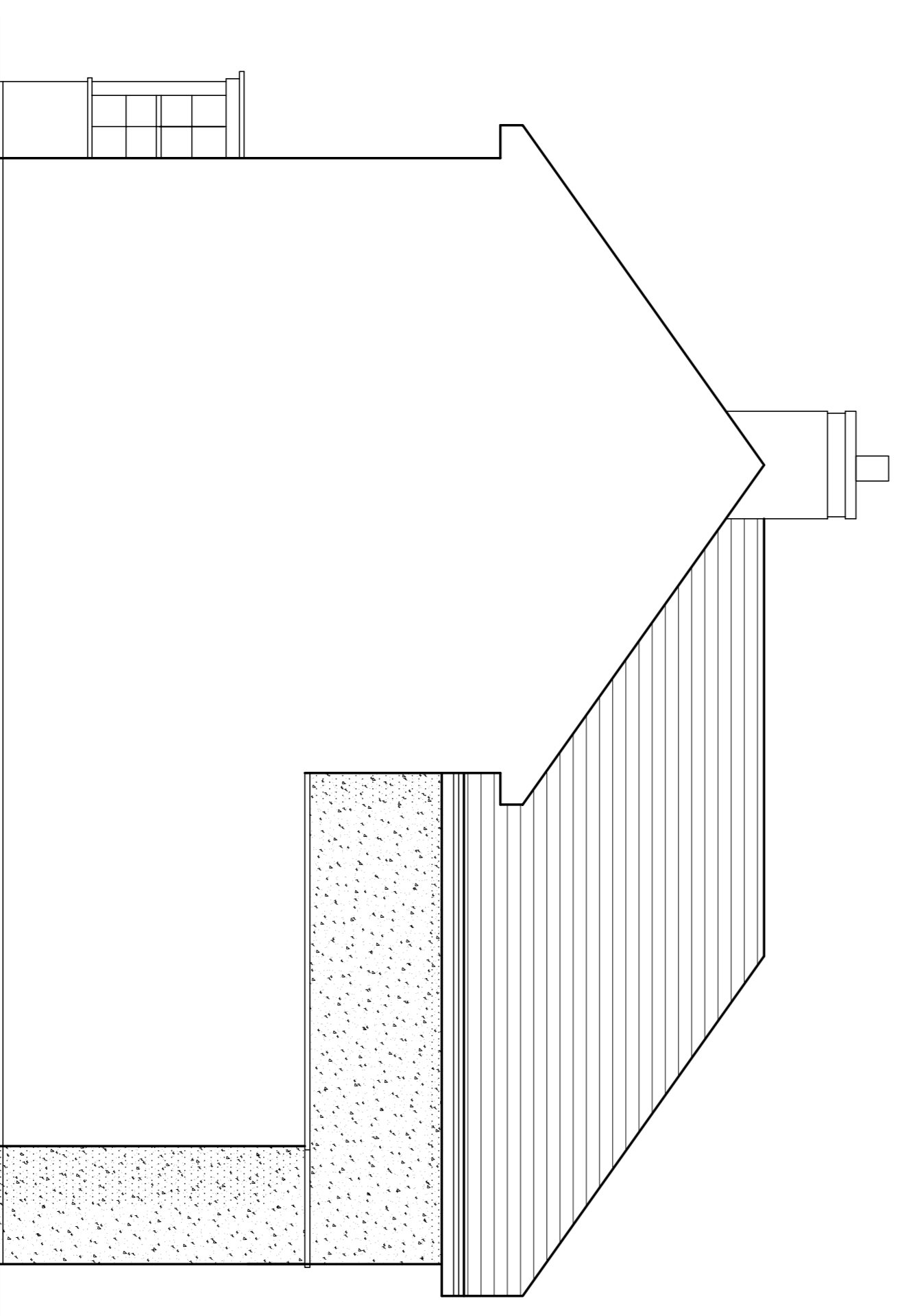
SCALE



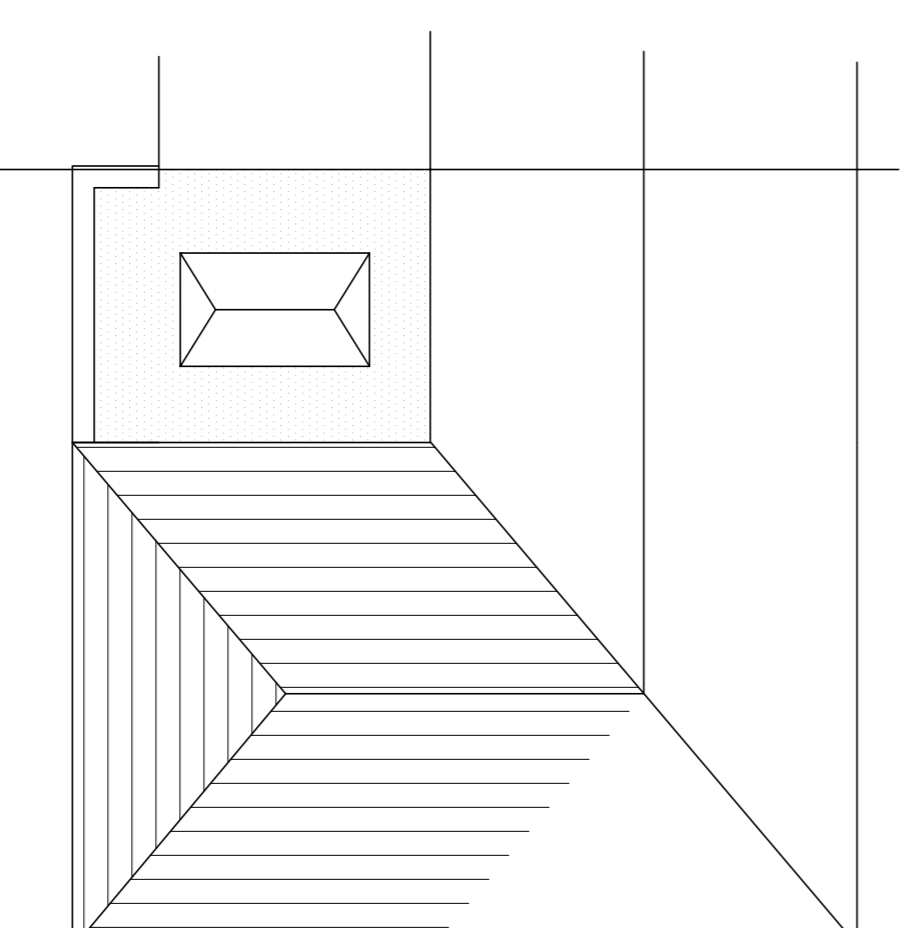
NTH WEST ELEVATION



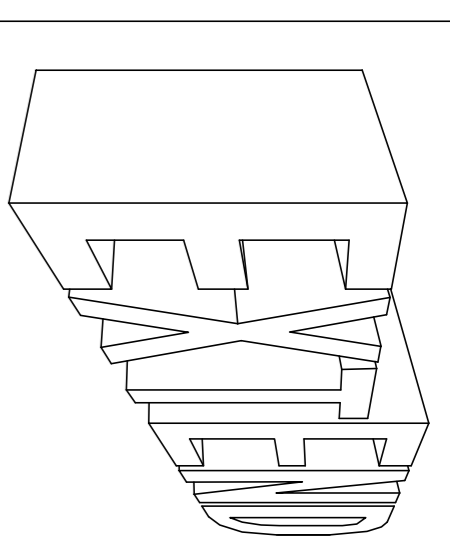
NTH EAST ELEVATION



STH EAST ELEVATION



ROOF PLAN 1:100



Complete Project Management

68 Queen Street, Hitchin SG4 9TS 01462 436480
 E-mail: david.pucknell@sky.com

Client
 Mr Mrs Berry

Project
 38 Brockswold Lane
 Welwyn
 AL8 7BG

Drawing Title
 Double storey rear extension

Scale	Date	Drawn by
1:50	10/2020	DP
Dwg. No.		Rev.
DP 1069/02		

A4