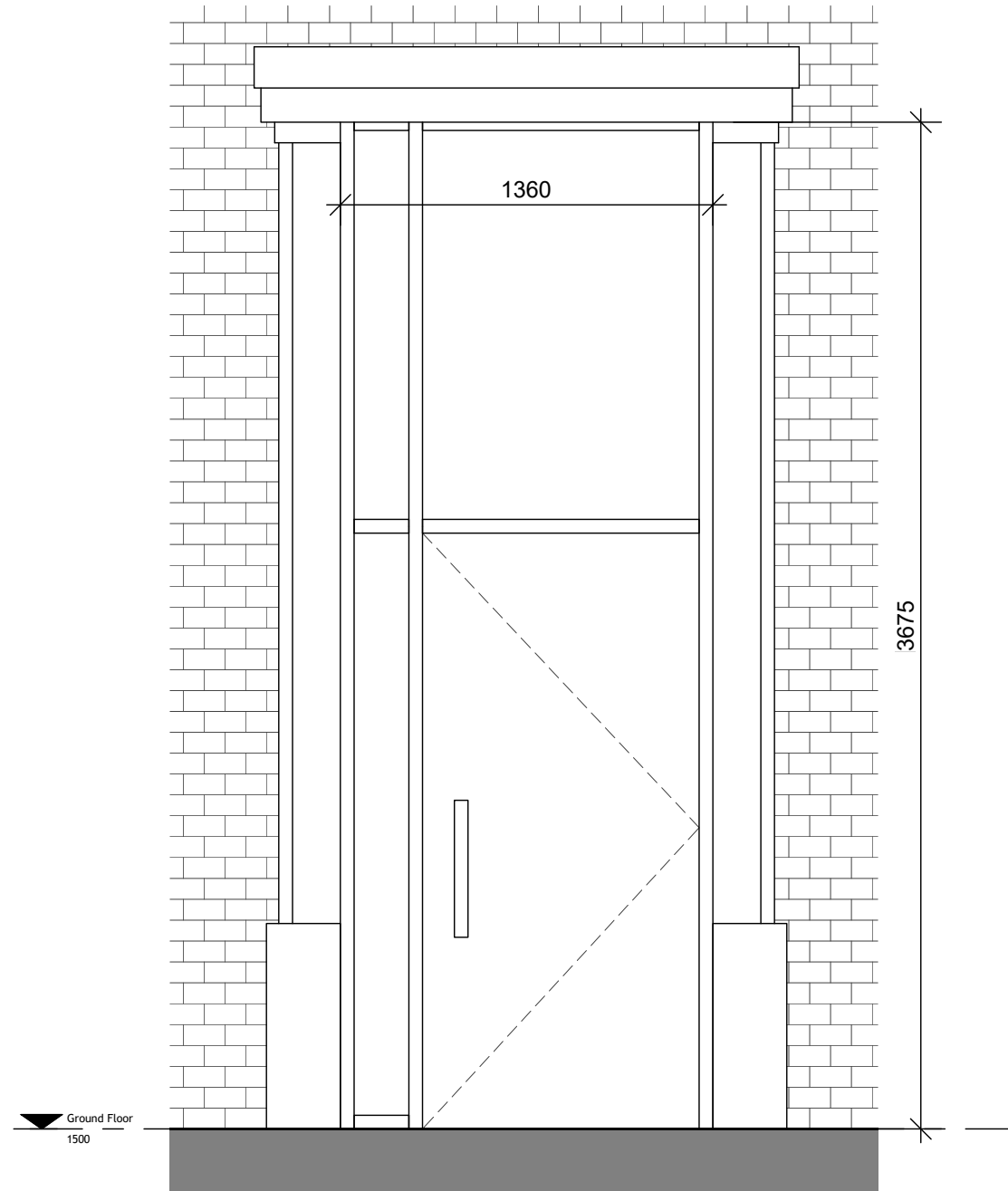
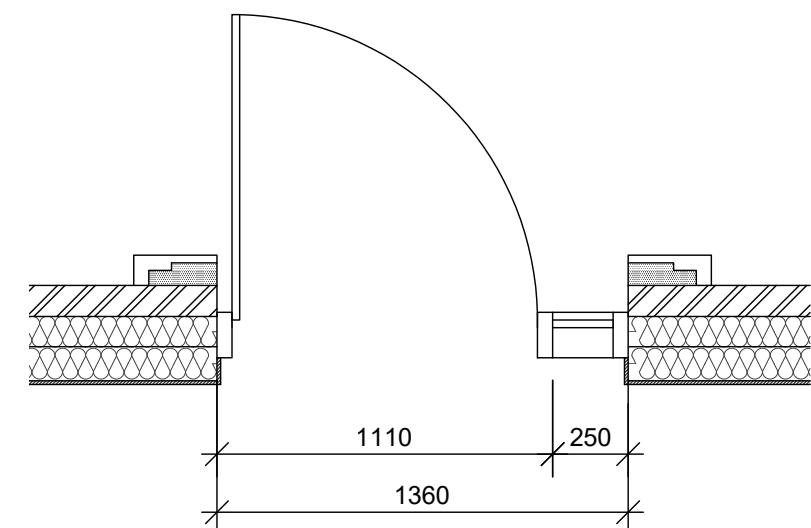


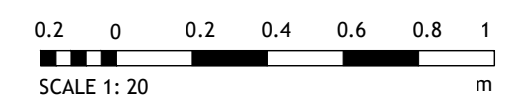
**SECTION**  
1 : 20



**ELEVATION**  
1 : 25



**FLOOR PLAN**  
1 : 25



Revision	Amendment	Date
P1	Issued for planning	18.11.19
JP	JD	JD
Drawn by	Reviewed by	Approved by
60193	SEPT 19	1 : 250 @ A3
MCB Number	Date Created	Scale @ A3

**McBains**  
McBains Ltd  
5th Fl, 26 Finsbury Square London EC2A 1DS  
+44 (0)20 7786 7900 mcbains.co.uk

Client  
Hightown Housing Association

Project  
29 Broadwater Road  
Welwyn Garden City

Drawing Title  
Main Entrance Door Detail

**ARCHITECTURE**

Project Idn	Originator	Zone	Level	Type	Discipline	Number	Suitability	Revision
BRW01	MCB	ZZ	ZZ	DR	A	0604	D5	P1