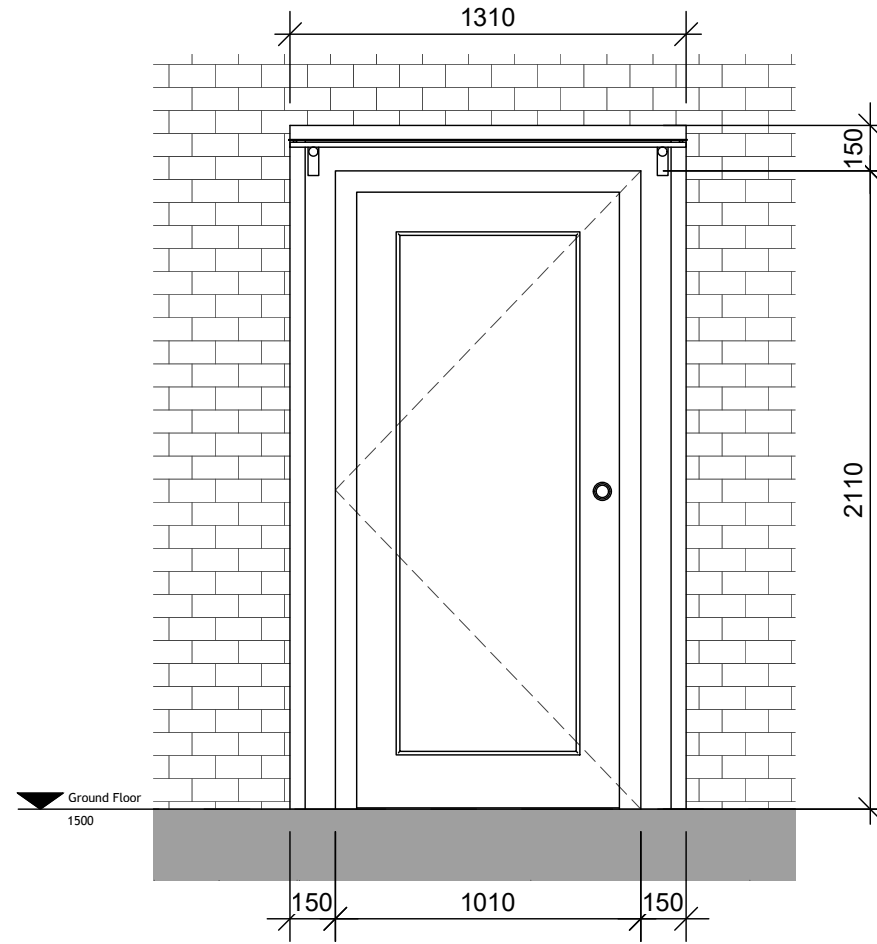
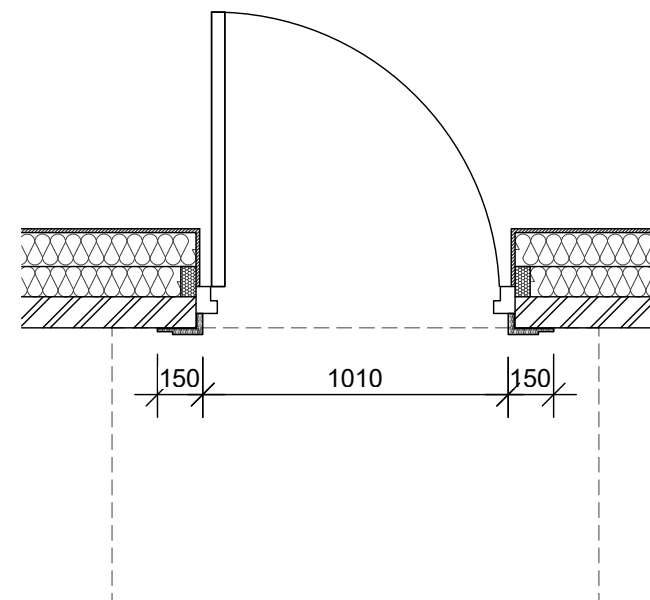


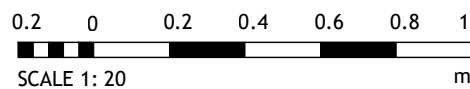
SECTION
1 : 20



ELEVATION
1 : 25



FLOOR PLAN
1 : 25



Revision	Issued for planning	Amendment	Date
JP	JD	JD	
60193	SEPT 19	As indicated @ A3	

McBains

McBains Ltd
5th Fl, 26 Finsbury Square London EC2A 1DS
+44 (0)20 7786 7900
mcbains.co.uk

Client
Hightown Housing Association

Project
29 Broadwater Road
Welwyn Garden City

Drawing Title
Patio Door Detail

ARCHITECTURE

Project Idn	Originator	Zone	Level	Type	Discipline	Number	Submittal	Revision
BRW01	MCB	ZZ	ZZ	DR	A	0603	DS	P1