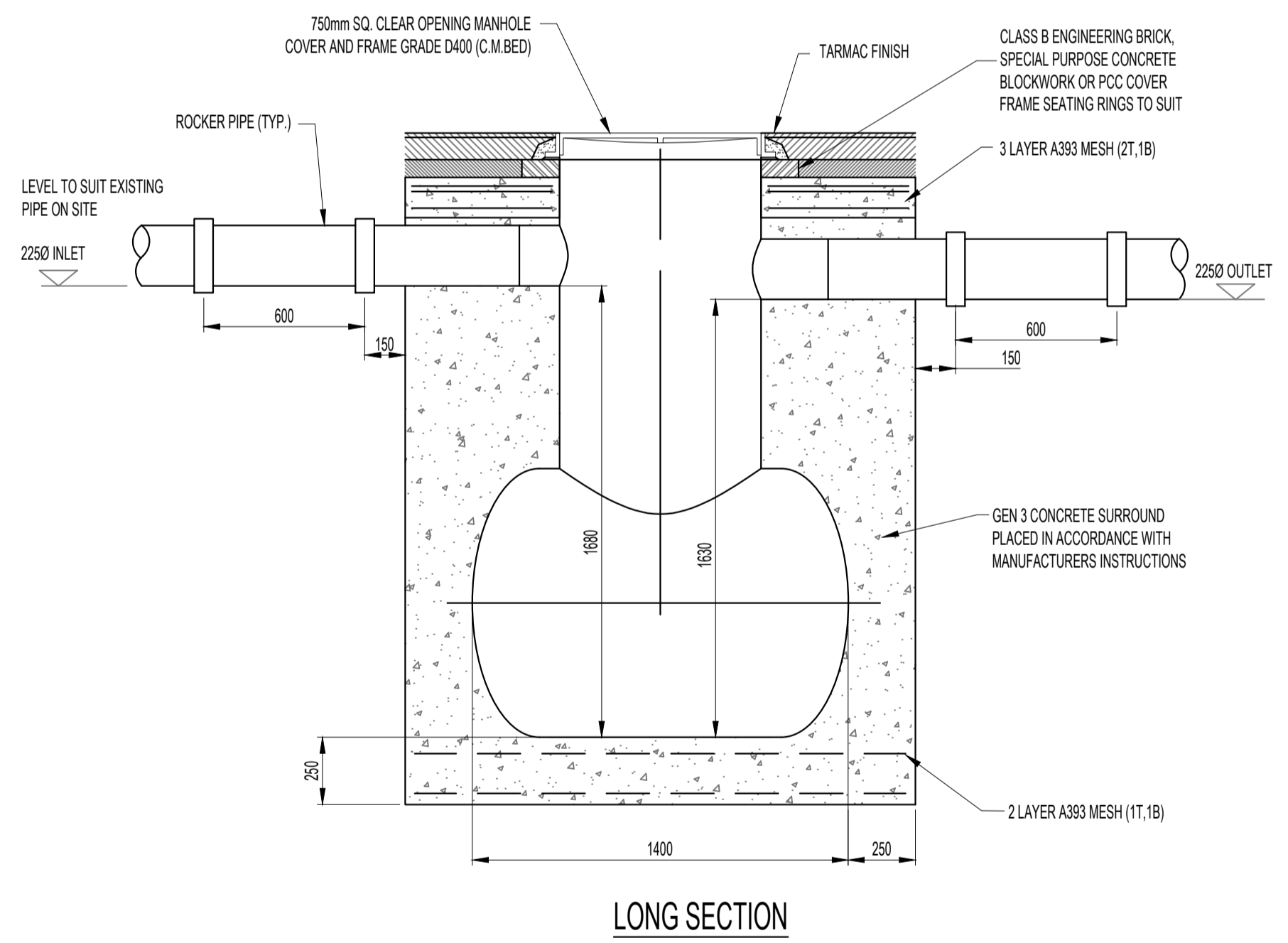
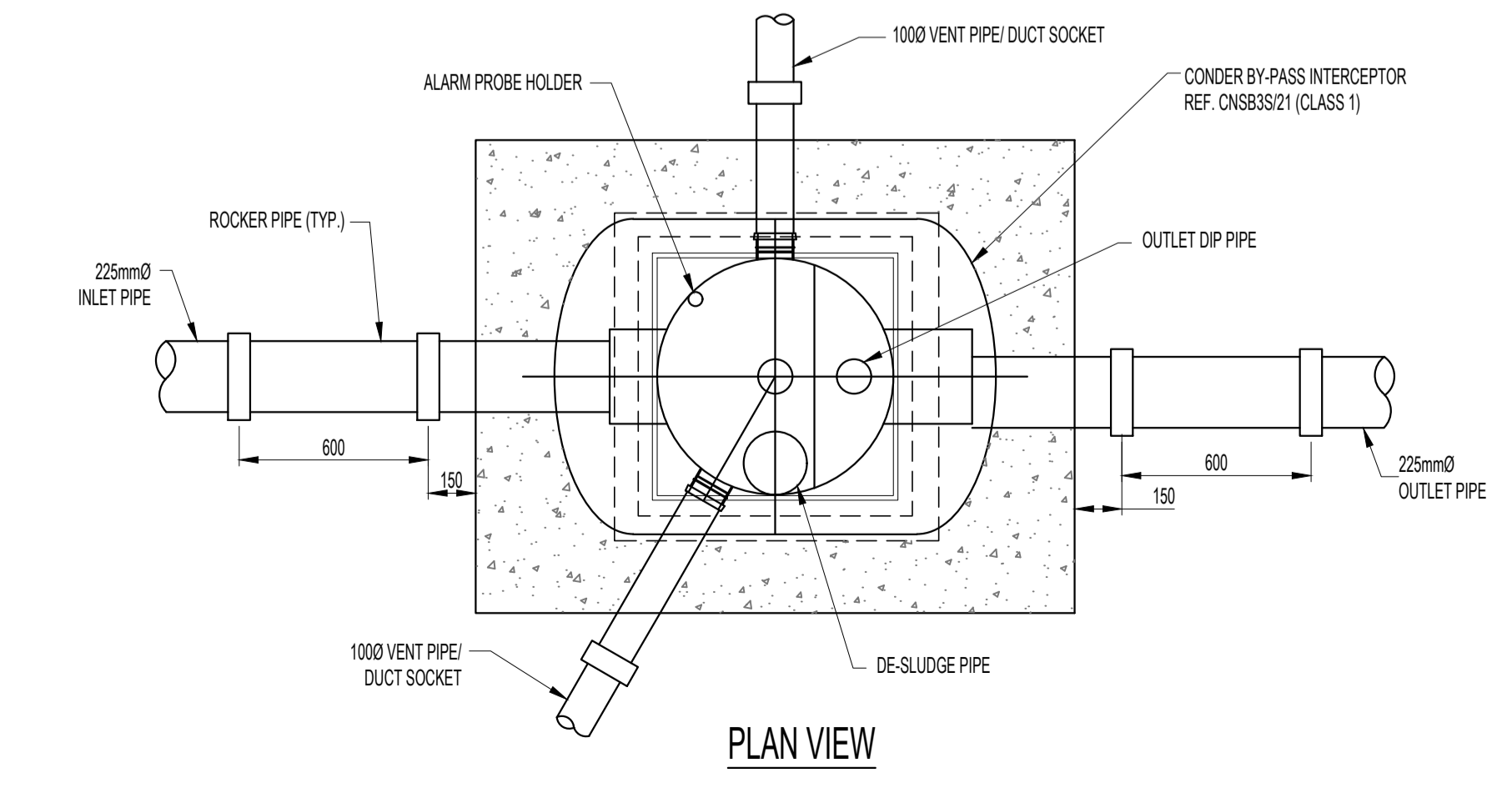
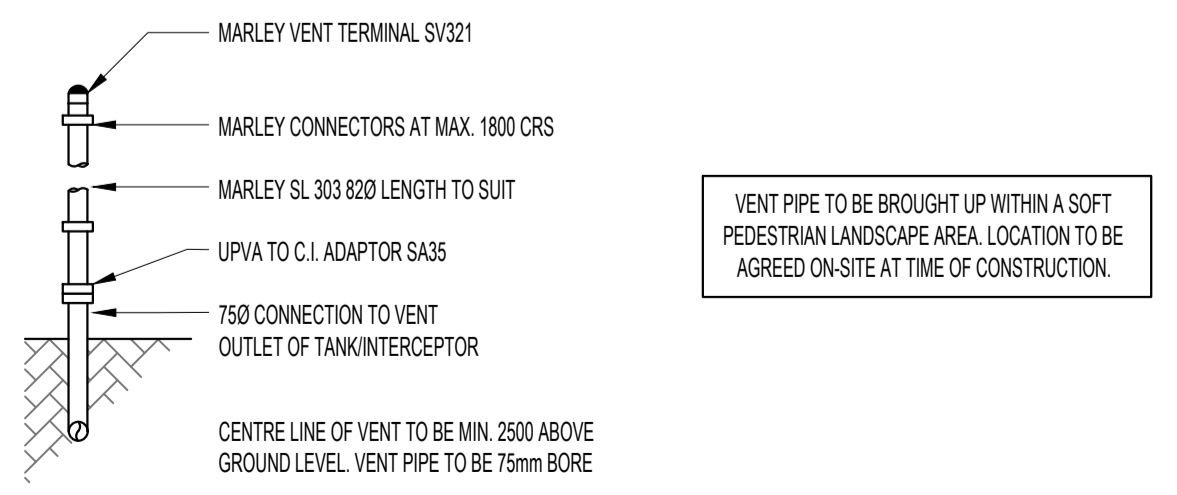
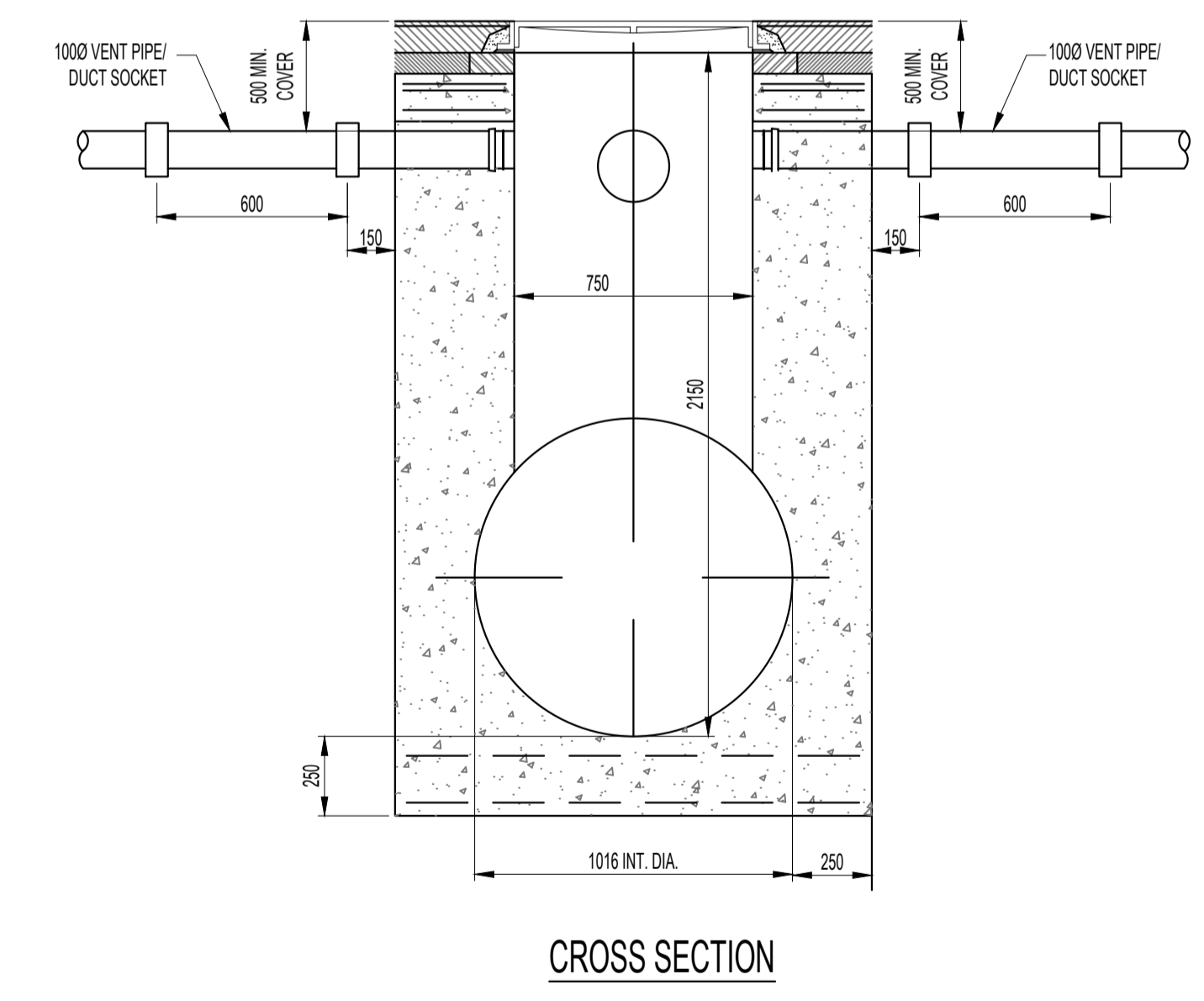


MANHOLE REFERENCE	DESIGN HEAD (m)	DESIGN FLOW (l/s)
SW15	2.000	4.5
SW41	2.360	5.5
SW61	2.660	5.0



NOTE:
EXACT SIZE OF PETROL INTERCEPTOR TO BE CONFIRMED

PETROL INTERCEPTOR NOTES:
 1. THE PETROL INTERCEPTOR TANK SHALL BE INSTALLED IN ACCORDANCE WITH THE MANUFACTURER'S (CONDORS) CURRENT 'INSTALLATION GUIDANCE NOTES' AND INSTALLATION PROCEDURES.
 2. PETROL INTERCEPTOR TO BE FITTED WITH AN OIL LEVEL ALARM SYSTEM IN ACCORDANCE WITH BRITISH STANDARD BS EN 888-1.
 3. GUIDELINE PPG3 REQUIRES THAT ALL SEPARATORS ARE TO BE FITTED WITH AN OIL LEVEL ALARM SYSTEM AND THAT IT SHOULD BE INSTALLED AND CALIBRATED BY SUITABLY QUALIFIED TECHNICIAN SO THAT IT WILL RESPOND TO AN ALARM CONDITION WHEN THE SEPARATOR REQUIRES EMPTYING.
 4. FOR SUPPORT AND MAINTENANCE REQUIREMENTS FOLLOW MANUFACTURER'S RECOMMENDATIONS.



GENERAL NOTES:

- This drawing is to be read in conjunction with all relevant Architects and Engineers drawings and specifications.
- Do not scale from this drawing. All details and dimensions and levels are to be checked by the contractor prior to commencement of construction. Any discrepancies are to be reported to the Engineer.
- All levels are in meters & dimensions in millimeters unless noted otherwise.

P1	UPDATED FOLLOWING LLFA COMMENTS	10.01.20	LB	MS
Rev:	Description:	Date:	By:	Chkd:



40 Compton Street, London, EC4V 0BD
 020 7324 2240
 london@curtins.com
 www.curtins.com

Structures • Civils • Environmental • Infrastructure • Transport Planning • Sustainability • Expert Advisory Services
 Birmingham • Bristol • Cardiff • Douglas • Dublin • Edinburgh • Glasgow • Kenton • Leeds • Liverpool • London • Manchester • Nottingham

STAGE 4
 Project: SHREDDED WHEAT, METROPOLITAN

Proposed Construction Details
 FLOW CONTROL MANHOLES
 PHASE 1

Size:	A1	Date:	10/10/2020	Drawn By:	L. BOUSTEAD	Designed By:	L. GOWANS	Checked By:	M. SMITH
Scale:	NTS								
Project No:	Originator:	Zone:	Level:	Type:	Discipline:	Category / Number:	Rev:		

SWP1 - CUR - ZZ -GND-DET-D01- 980014 - P1