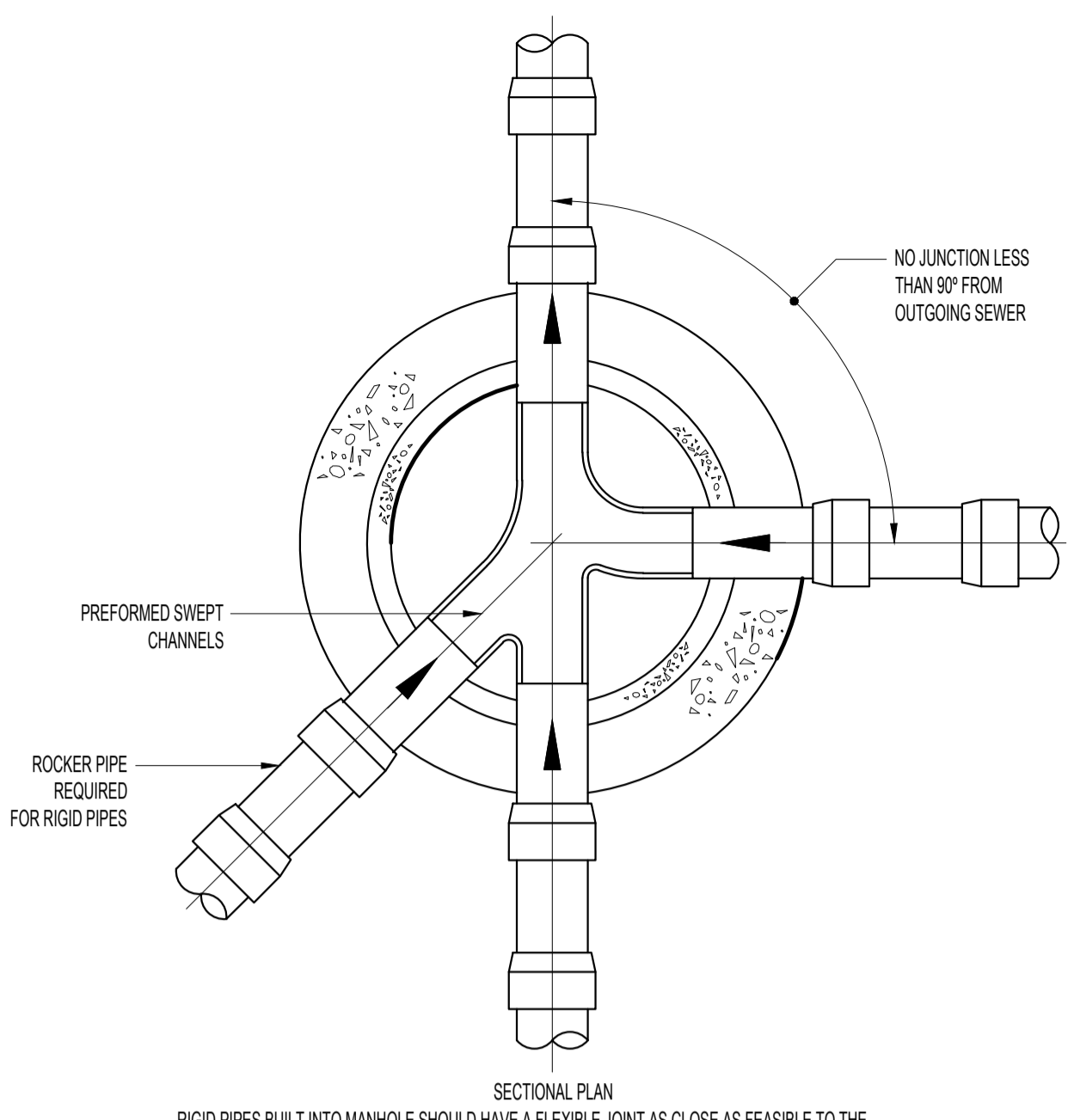
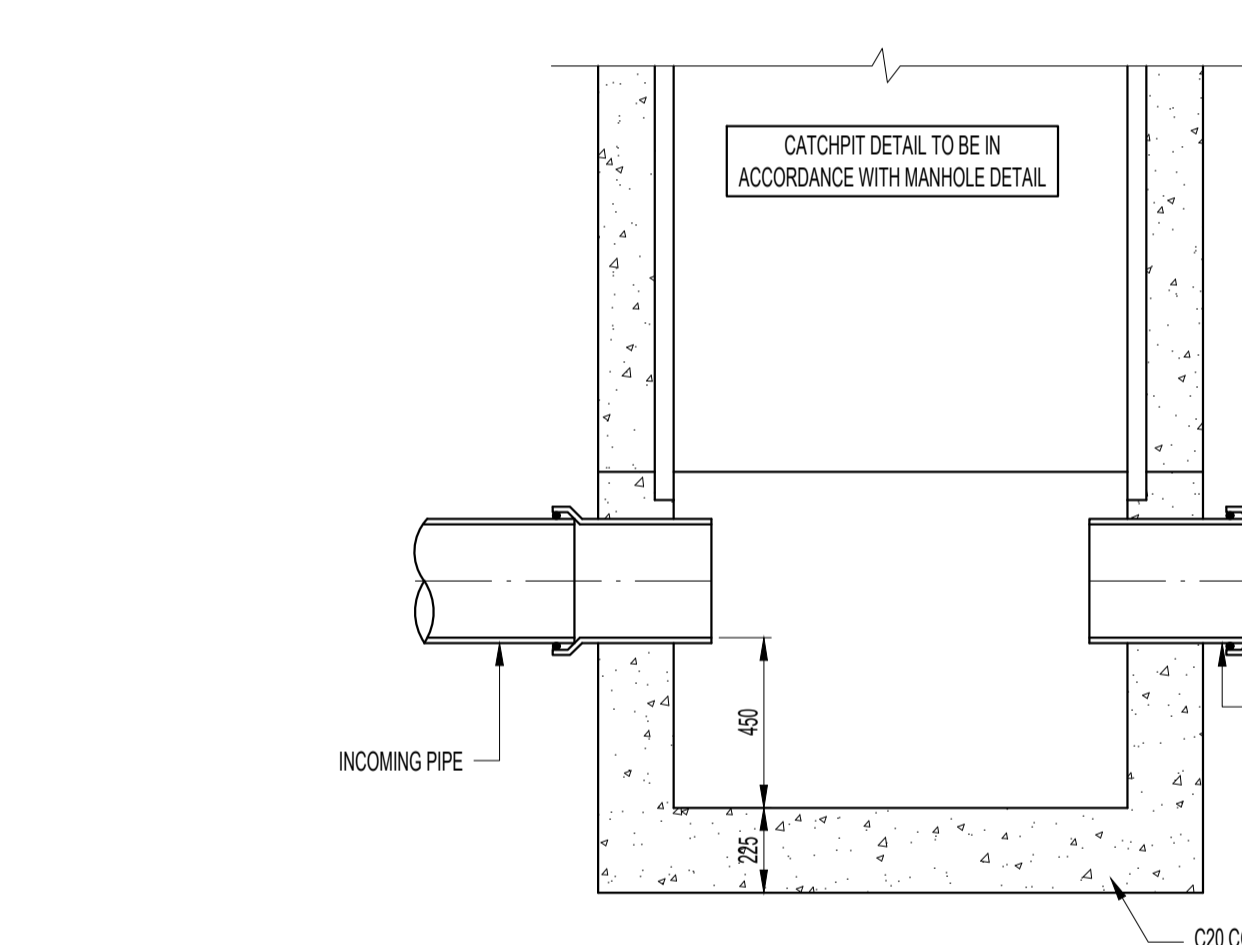


TYPICAL INSPECTION CHAMBER DETAIL IN (LIGHT) VEHICULAR AREAS (SCALE 1:20)

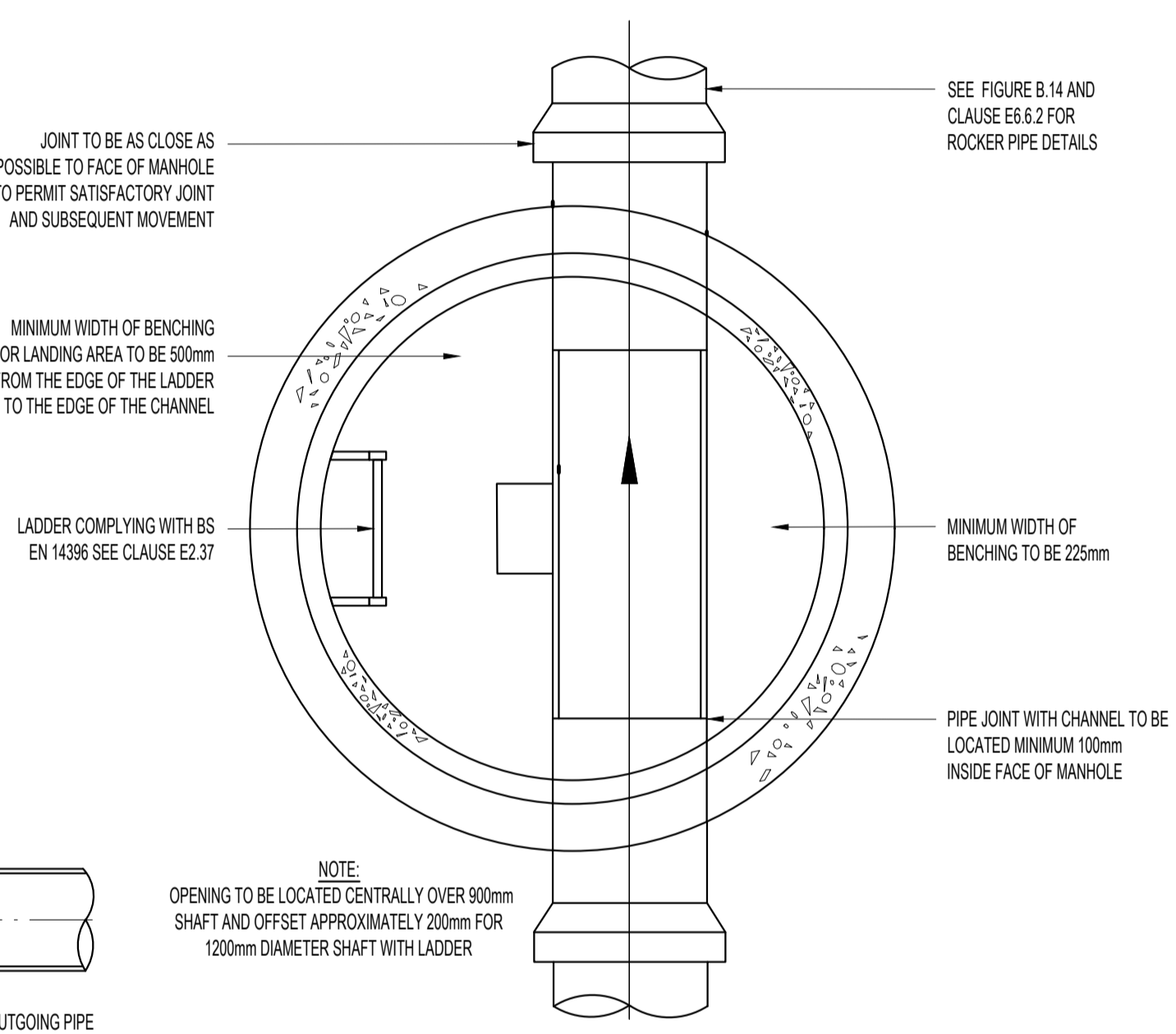
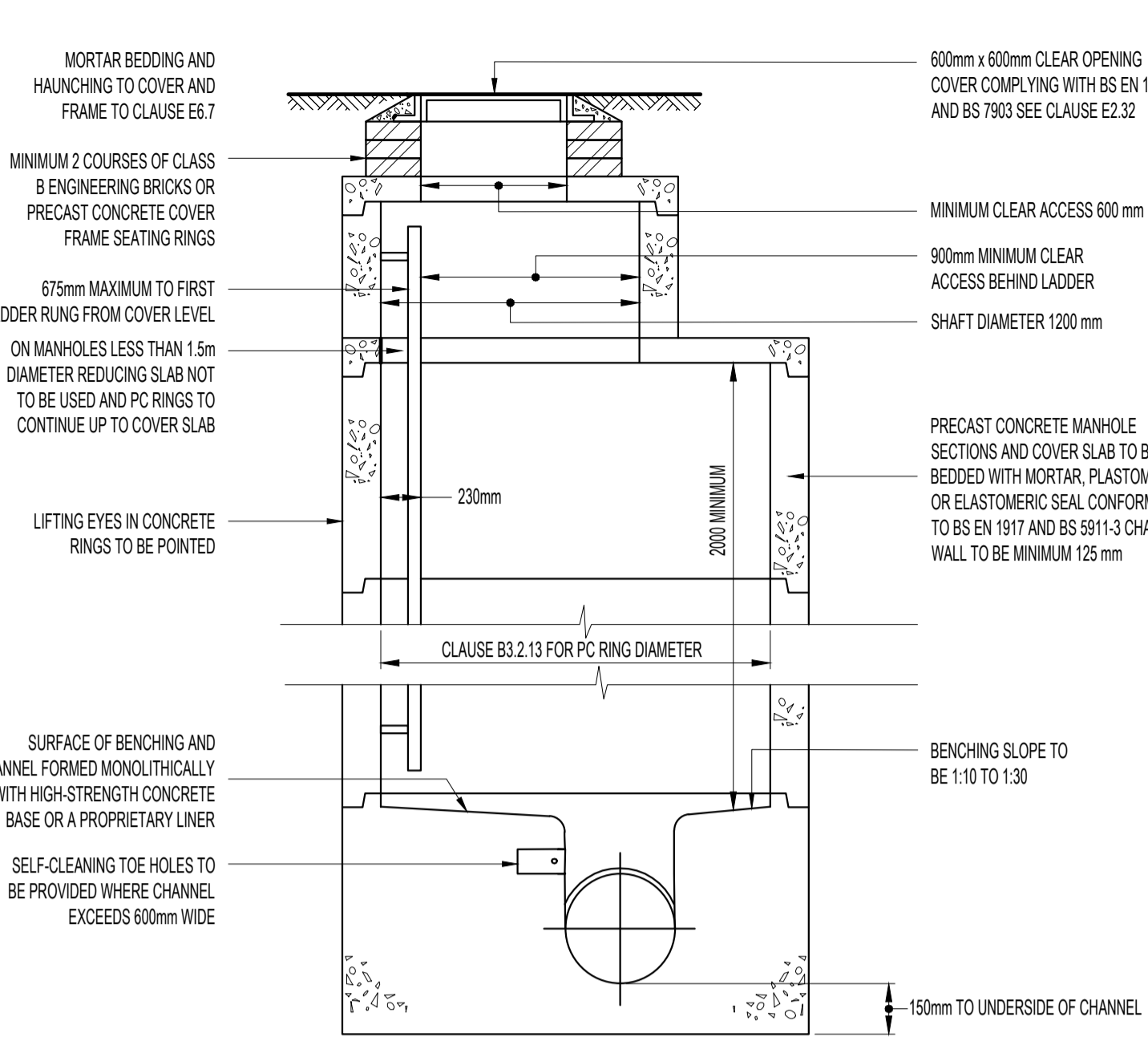


Nominal diameter (mm)	MAXIMUM EFFECTIVE LENGTH (m)
150 - 600	0.6
601 - 750	1.00
OVER 750	1.25

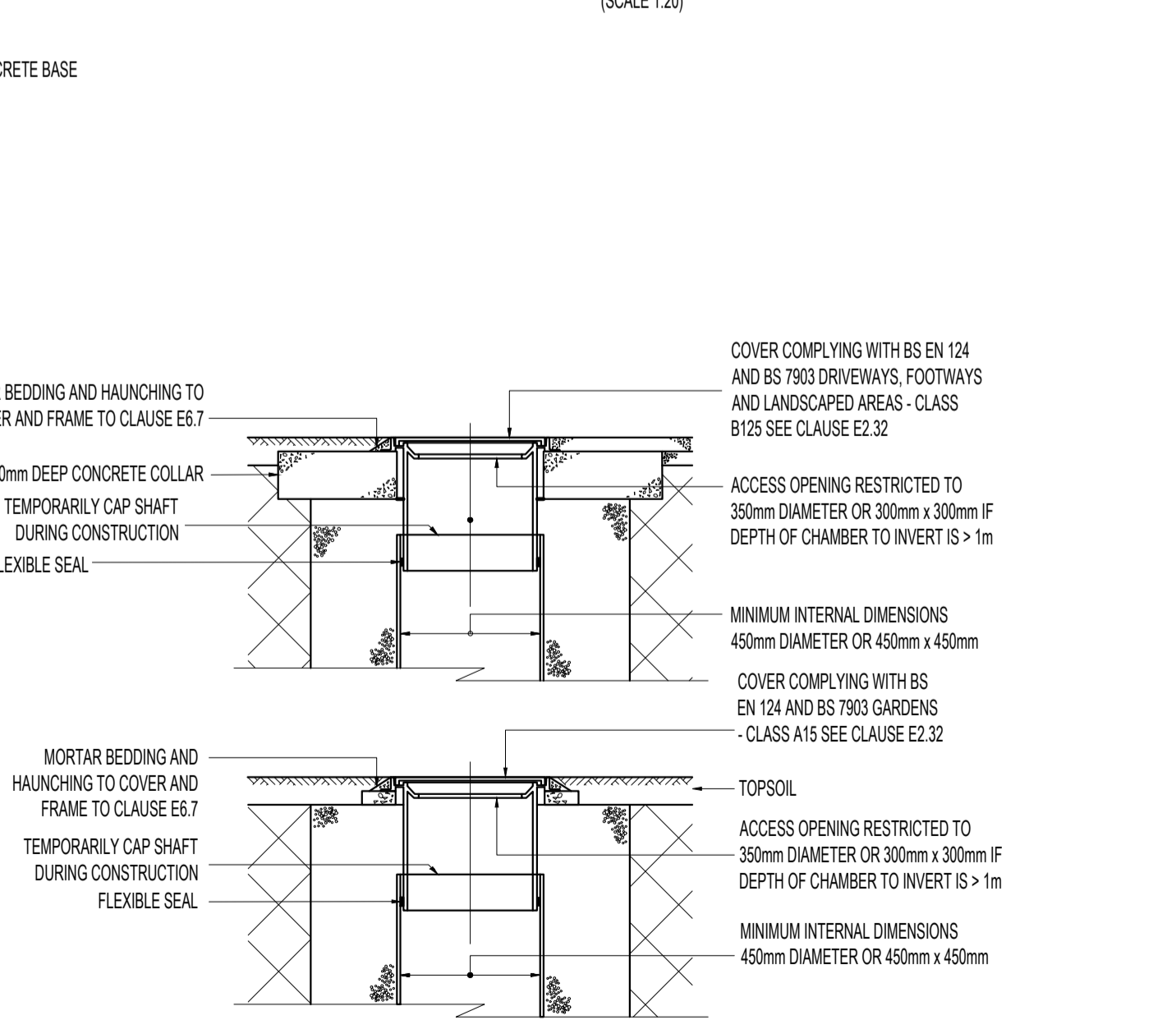
TYPICAL ARRANGEMENT OF PIPE JUNCTIONS WITHIN MANHOLES (SCALE 1:20)



CATCHPIT MANHOLE DETAIL (SCALE 1:20)

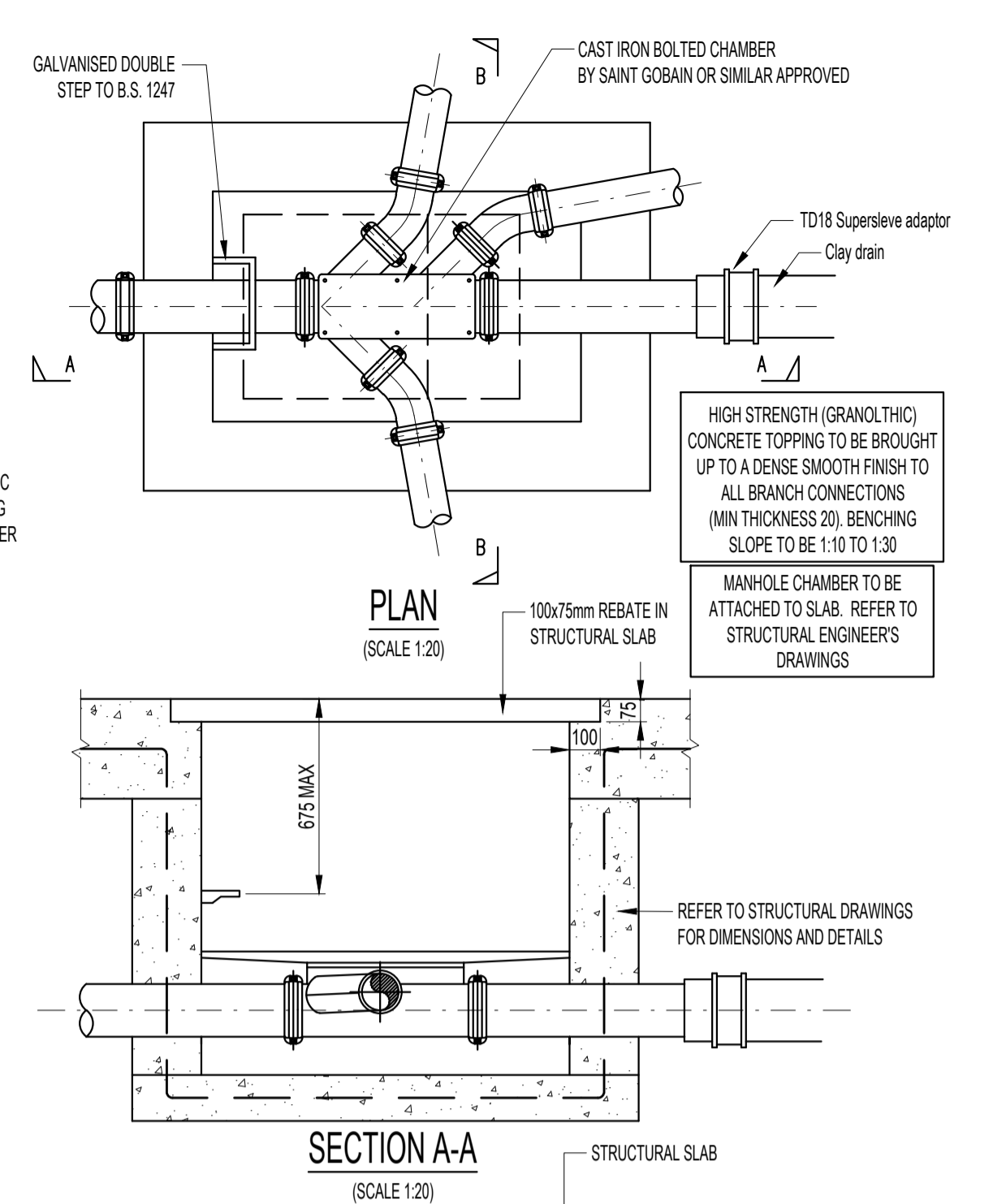


TYPICAL MANHOLE DETAIL COVER TO PIPE SOFFIT 3m - 6m (SCALE 1:20)



ALTERNATION TOP DETAILS FOR LIGHT VEHICLE LOADING AND LANDSCAPING AREAS (SCALE 1:20)

PLASTIC CHAMBERS AND RINGS SHALL COMPLY WITH BS EN 13598-1 AND BS EN 13598-2 OR HAVE EQUIVALENT INDEPENDENT APPROVAL



DEPTH TO INVERT UP TO 1.2m - INSPECTION CHAMBER

MAX. NO. OF SIDE ENTRY BRANCHES	MIN. CHAMBER DIMENSIONS (mm)	MIN. COVER CLEAR OPENING (mm)
1	600 x 600	600 x 600
2	900 x 600	900 x 600
3	1200 x 600	1200 x 600 (2 PART)
4	1770 x 600	1770 x 600 (2 PART)

DEPTH TO INVERT 1.2m - 1.65m

MAX. NO. OF SIDE ENTRY BRANCHES	MIN. CHAMBER DIMENSIONS (mm)	MIN. COVER CLEAR OPENING (mm)
1	750 x 750	750 x 750
2-3	1320 x 750	1320 x 750 (2 PART)
4	1620 x 750	1620 x 750 (2 PART)

DEPTH TO INVERT GREATER THAN 1.65m

MAX. NO. OF SIDE ENTRY BRANCHES	MIN. CHAMBER DIMENSIONS (mm)	MIN. COVER CLEAR OPENING (mm)
1-2	1200 x 1000	1170 x 600 (2 PART)
3	1320 x 1000	1320 x 600 (2 PART)
4	1620 x 1000	1620 x 600 (2 PART)

NOTE: COVER SIZES BASED ON PRODUCTS AVAILABLE FROM STEELWAY BRICKHOUSE

TYPICAL INTERNAL MANHOLE/INSPECTION CHAMBER DETAIL

GENERAL NOTES:

- This drawing is to be read in conjunction with all relevant Architects and Engineers drawings and specifications.
- Do not scale from this drawing. All details and dimensions and levels are to be checked by the contractor prior to commencement of construction. Any discrepancies are to be reported to the Engineer.
- All levels are in meters & dimensions in millimeters unless noted otherwise.

Rev.	Description	Date	By	Chkd.
P2	UPDATED FOLLOWING LLFA COMMENTS	10.01.20	NMH	LB
P1	STAGE 4 ISSUE TO UPDATED DOCUMENT NAMING CONVENTION.	16.12.19	NMH	MS
T02	STAGE 4 REVISED ISSUE	22.03.19	NH	LG
T01	PHASE 1 - STAGE 4 ISSUE	15.03.19	NH	LG

Curtins

40 Compton Street, London, EC4V 0BD
020 7324 2240
london@curtins.com
www.curtins.com

Structure • Civil • Environmental • Infrastructure • Transport Planning • Sustainability • Expert Advisory Services
Birmingham • Bristol • Cardiff • Douglas • Dublin • Edinburgh • Glasgow • Kent • Leeds • Liverpool • London • Manchester • Nottingham

Status: **STAGE 4**

Project: **SHREDDED WHEAT, METROPOLITAN**

Dig Title: **PROPOSED CONSTRUCTION DETAILS PHASE 1**

Size:	Date:	Drawn By:	Designed By:	Checked By:
A1	01/03/2019	N.HICKMAN	L.GLAZA	L.GLAZA
Scale:	NTS			
Project No:	Originator:	Zone:	Level:	Type: Discipline: Category / Number: Rev:

SWP1 - CUR - ZZ -GND-DET-D01- 98005 - P2