

DIAGRAM SYMBOL	DESCRIPTION
— # —	POWER WIRE
— # —	CONTROL WIRE
— # —	REF. PIPE
— # —	POWER SIGNAL WIRE

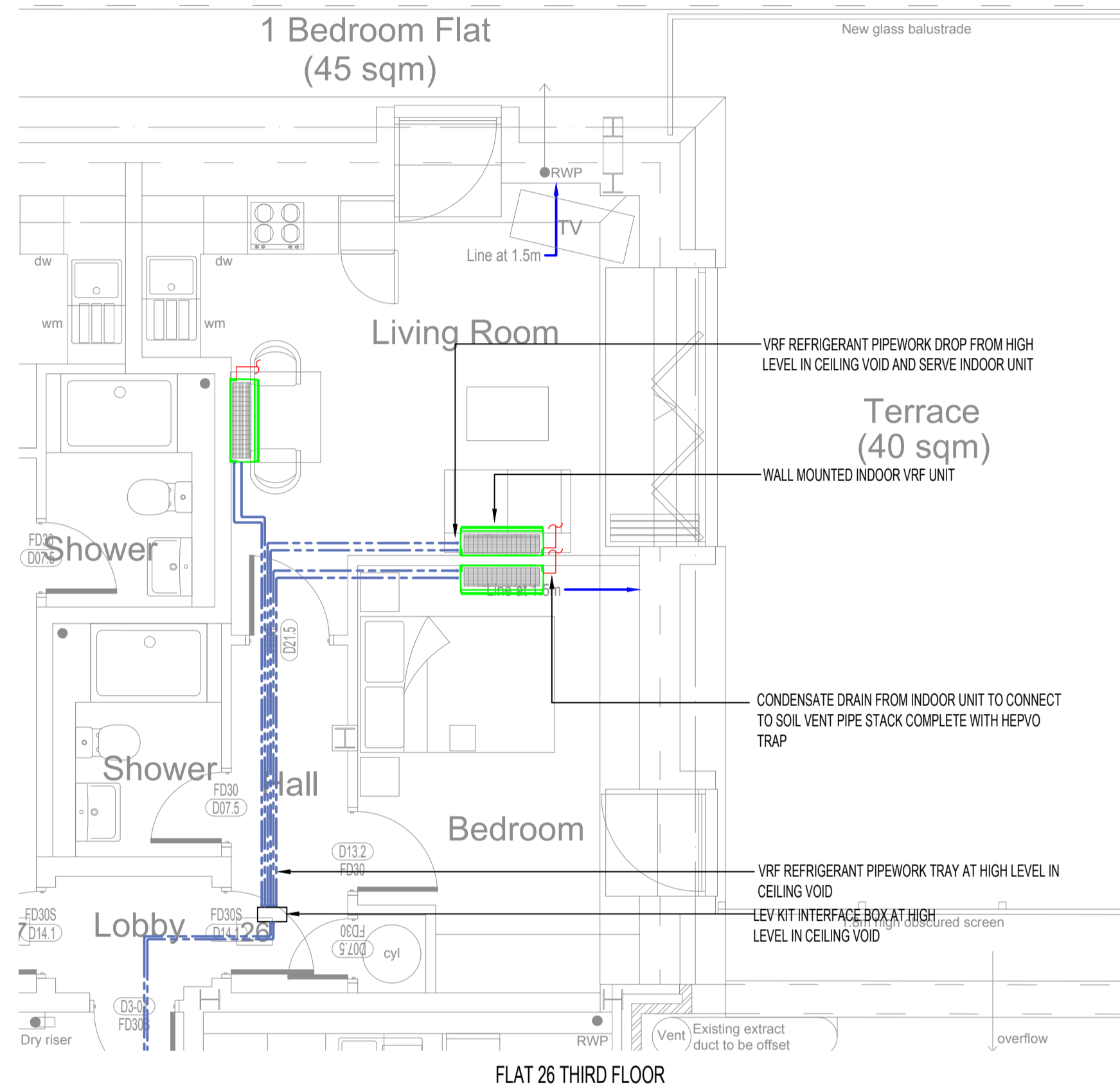
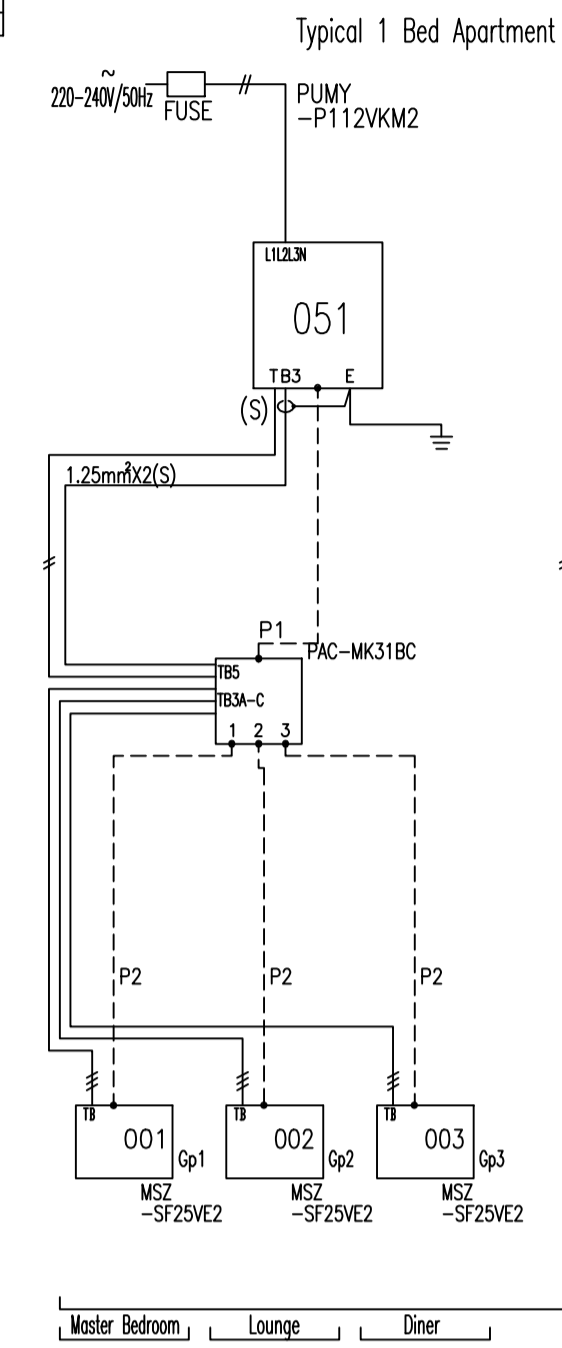
The symbol of replace judgement

Symbol	Definition
#1	Standard
#2	Block (All dimensions will be affected)
#3	Block (Relevant change will be limited)
#4	Block (Fitting length will be limited)
#5	Fitting length and vertical separation will be limited

PIPING LIST

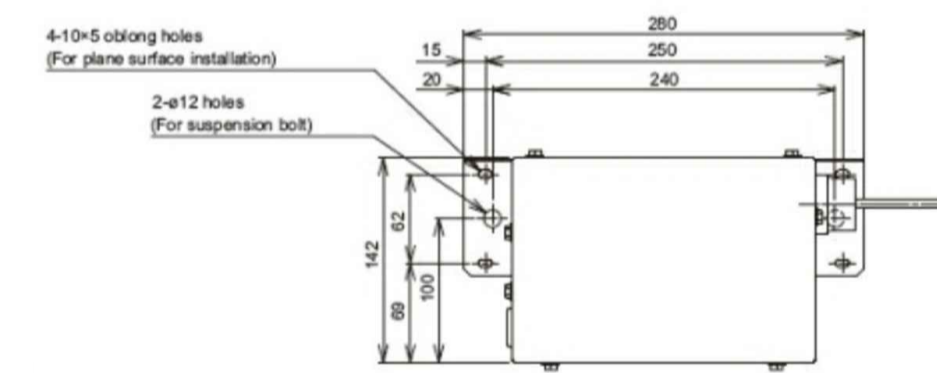
SYMBOL	LIQUID	REF./CS	PIPE SIZE
P1	3/8"	3/8"	
P2	1/4"	3/8"	

Address: Additional Refrigerant

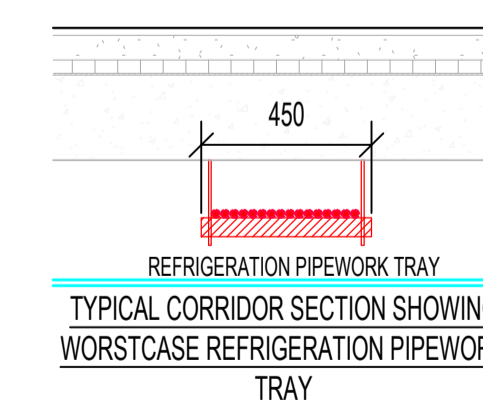


Indoor		Type	Model	Cooling Capacity (kW)		Heating Capacity (kW)		NOISE RATING dB(A)		Dimensions (mm)			Weight (kg)
LOCATION	TYPE			SILENT MODE	NORMAL MODE	SILENT MODE	NORMAL MODE	SILENT MODE	NORMAL MODE	HEIGHT	WIDTH	DEPTH	
BEDROOM	WALL MOUNTED CASSETTE	MSZ-SF25VE2	0.96	1.93	0.84	1.69	19	34	230	854	395	14	
LOUNGE / LIVING ROOM	WALL MOUNTED CASSETTE	MSZ-SF25VE2	0.96	1.93	0.84	1.69	19	34	230	854	395	14	
Outdoor		Type	Model	Cooling Capacity (kW)	Heating Capacity (kW)	NOISE RATING dB(A)	Dimensions (mm)			Weight (kg)			
LOCATION	TYPE						HEIGHT (mm)	WIDTH (mm)	DEPTH (mm)				
ROOF MOUNTED	OUTDOOR UNIT R410A	PUMY-P112VKM3	11.5	11.6	49	1338	1050	360	123				

MANUFACTURERS SPECIFICATION DATA



TYPICAL LEV KIT ARRANGEMENT



TYPICAL CORRIDOR SECTION SHOWING WORSTCASE REFRIGERATION PIPEWORK TRAY

NOTES

- THIS SCHEME IS A DESIGN AND BUILD PROJECT, AND WHILST THESE DRAWINGS REFLECT THE DESIGN INTENT AND EMPLOYERS REQUIREMENTS, THE CONTRACTOR IS RESPONSIBLE FOR ALL DESIGN AND CO-ORDINATION OF SERVICES.
 - DO NOT SCALE FROM THIS DRAWING. USE ONLY DIMENSIONED FIGURES.
 - THIS DRAWING IS TO BE READ IN CONJUNCTION WITH ALL RELEVANT ARCHITECTS, STRUCTURAL ENGINEERS AND FURNESS GREEN PARTNERSHIP DRAWINGS AND SPECIFICATION.
 - THE CONTRACTOR SHALL BE RESPONSIBLE FOR THE COORDINATION OF ALL WORK WITH ALL OTHER TRADES.
- DESIGN NOTES:
- FCU SELECTION BY MITSUBISHI OR OTHER EQUAL AND APPROVED.
 - ALL INTERNAL UNITS SHALL BE PUMP ASSISTED (CONDENSATE SYSTEM).
 - ALL UNITS SHALL BE INSTALLED STRICTLY TO MANUFACTURERS INSTRUCTIONS.
 - THE REFRIGERATION SPECIALIST SHALL:
 - PROVIDE AND INSTALL TRAYS FOR REFRIGERATION PIPEWORK AS INDICATED ON DRAWINGS.
 - PROVIDE ALL WIRING BETWEEN THE INTERNAL AND EXTERNAL UNIT.
 - FINAL LOCATION OF INDOOR VRF UNITS TO BE COORDINATED BY ARCHITECT ON SITE.
 - EACH WALL MOUNTED INDOOR UNIT INCLUDES A DEDICATED INFRARED REMOTE CONTROLLER.
 - A LEV KIT INTERFACE (PAS-LV11M) SHALL BE INSTALLED TO EACH APARTMENT TO REDUCE NOISE LEVEL FOR INDOOR UNITS IN BEDROOMS.
 - DUE TO LOW BEAM DEPTHS, REFRIGERATION PIPEWORK IS GENERALLY TO BE RUN IN CEILING VOIDS AND ONLY CROSS BELOW BEAMS WITHIN PARTITION WALLS BUILDING VOIDS AS INDICATED ON THESE PLANS. WHERE THIS HAS NOT BEEN DEEMED FEASIBLE, THE ARCHITECT WILL INCREASE THE CEILING VOID SPACE BELOW THE BEAM TO ACCOMMODATE THE REFRIGERATION PIPEWORK. AND VARIATIONS TO THE REFRIGERATION PIPEWORK ROUTES AS SHOWN MUST BE AGREED WITH THE ARCHITECT AND INCUR NO ADDITIONAL COSTS TO THE PROJECT.
 - THE ENTIRE SYSTEM SHALL BE MAINTAINED TO THE MANUFACTURERS RECOMMENDATIONS.

FOR FURTHER INFORMATION ON THE SELECTION OF COMFORT COOLING PLANT AND EQUIPMENT SEE CONTACT FOR KOOLTECH BELOW;

JONATHAN BROWN
 Phone: 0345 034 4183
 Mobile: 07778 931 153
 Email: jonathan.brown@kooltech.co.uk

T4	REVISED PLANNING SUBMISSION	APR '18
T3	EMPLOYERS REQUIREMENTS	NOV '17
T2	EMPLOYERS REQUIREMENTS	JULY '17
T1	EMPLOYERS REQUIREMENTS	JULY '17
Rev	Description	Date

EMPLOYERS REQUIREMENTS

Client
 GPL 2014

FURNESS GREEN PARTNERSHIP
 BUILDING SERVICES & ENVIRONMENTAL ENGINEERING CONSULTANTS
 3 DUFFERIN AVENUE, LONDON, EC1Y 8PQ
 020 3588 3888 www.furnessgreen.com info@furnessgreen.com

Project
 FOUNTAIN HOUSE
 WELWYN GARDEN CITY

Title
 HEATING & COOLING LAYOUT
 TYPICAL FLAT LAYOUT
 THIRD FLOOR

Drawn	CG	Checked	AF	Date	JULY '17	Scale	1:50 @ A1
Job No	669	Proj No	55-NS-01	Rev	T4		