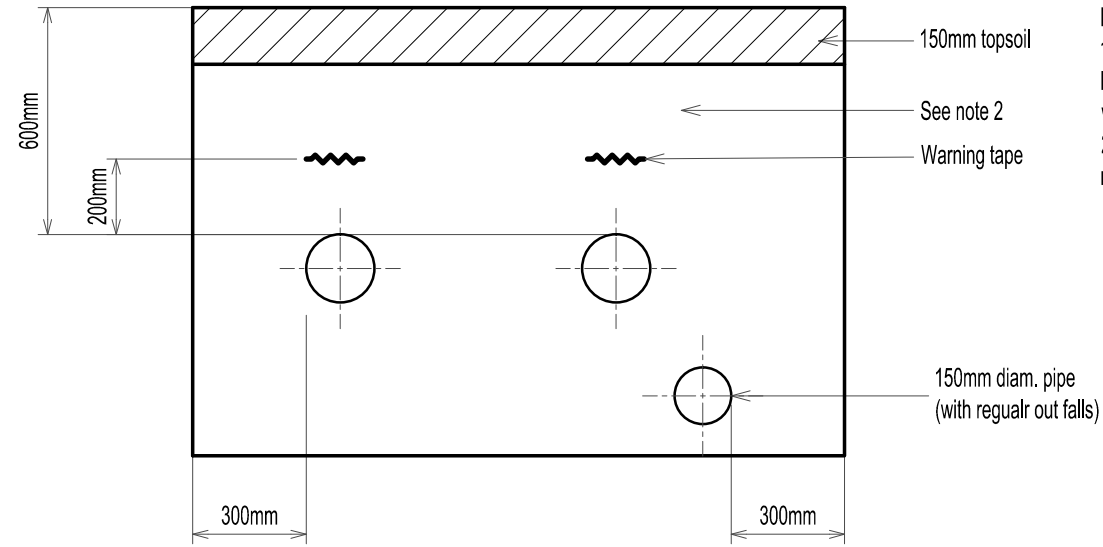
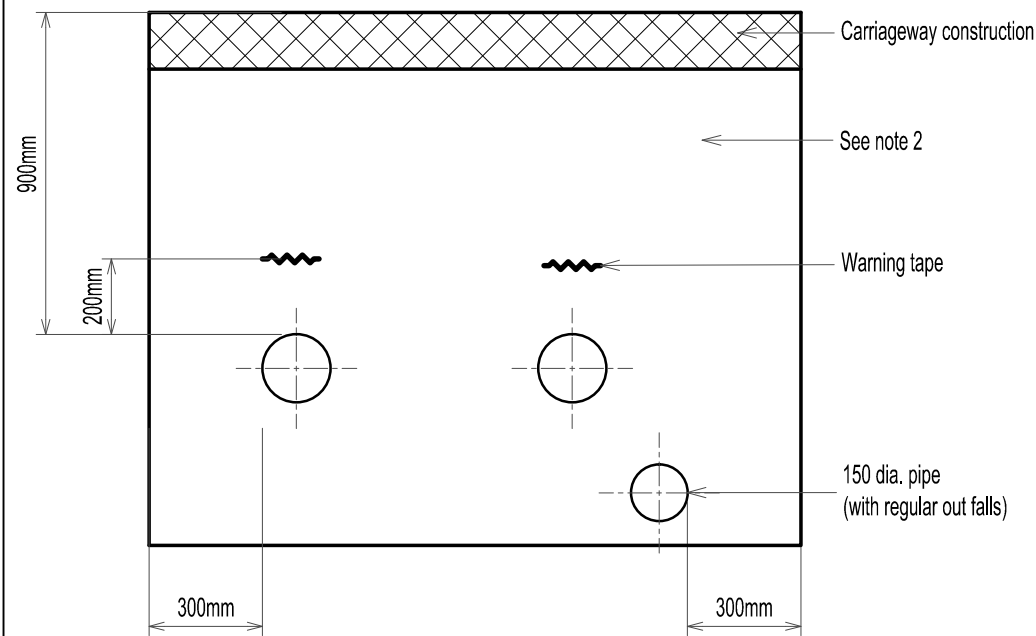


Indicative trench and bed detail not within a carriageway

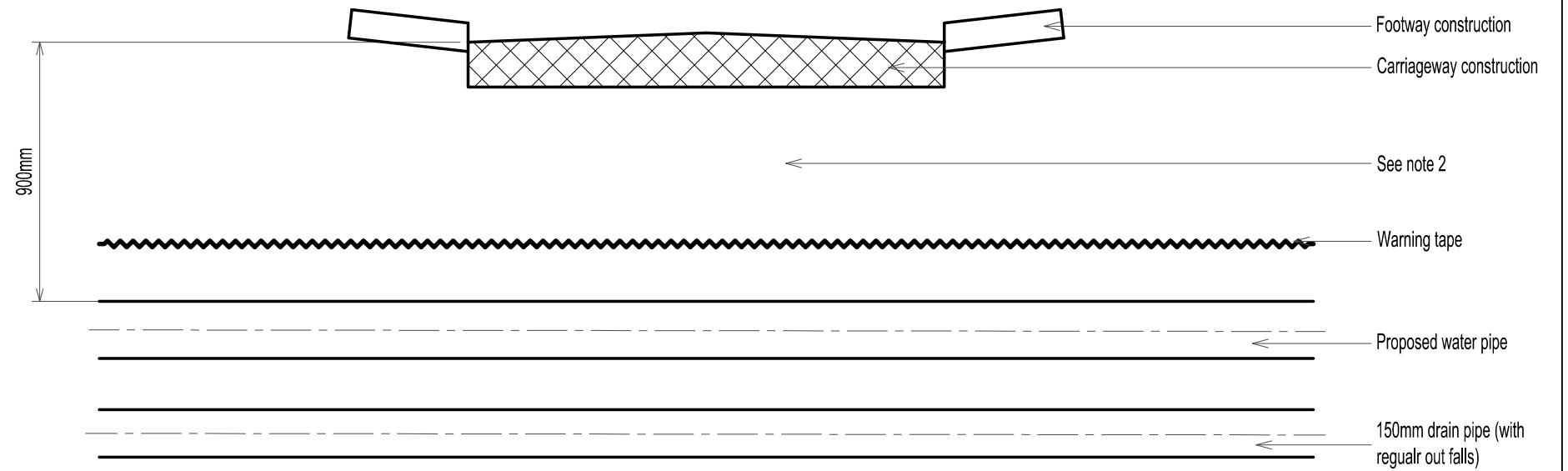


- Notes:
- To be read in conjunction with Appendix 5/1 of Vol.4 Sec.2 HA 40/01 - Determination of pipe and bedding for drainage works
 - Type A filter material to SHW Clause 505 or granular material to SHW Clause 503.3(i)

Indicative trench and bed detail within a carriageway



Typical water transfer pipe carriageway cross section



Rev	Date	Description	By
		Amendments	

GENERAL NOTES



Regent House Hubert Road Brentwood Essex CM14 4JE
 01277 238 100
 mail@watermangroup.com www.watermangroup.com

Project	Cuffley, Hertfordshire	
Title	Construction Detail	
Client	Metropolis Planning & Design LLP	

Drawing Status				
PRELIMINARY				
Designed by	AJT	Checked by	AJT	Project No
Drawn by	AJ	Date	07.11.14	CIV14627
Scales @ A3			Work Order No	
work to figured dimensions only			NTS	SA-
Publisher	Zone	Category	Number	Revision
CIV	SA	95	0021	