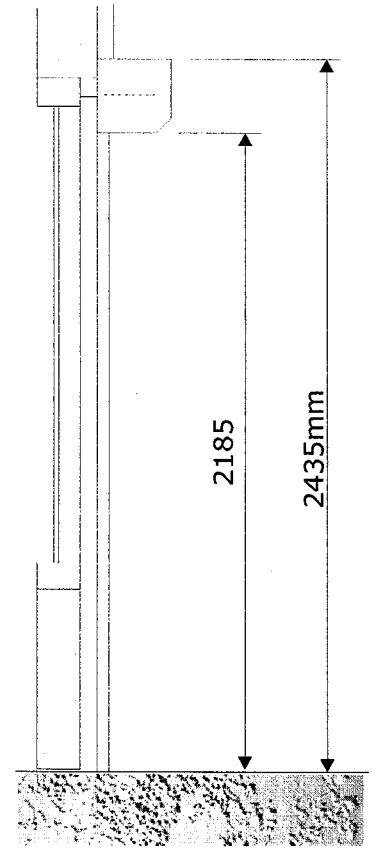
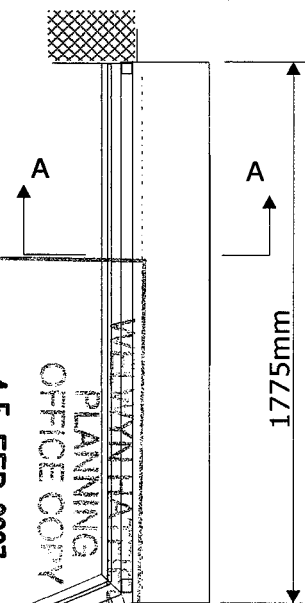


View On Arrow A

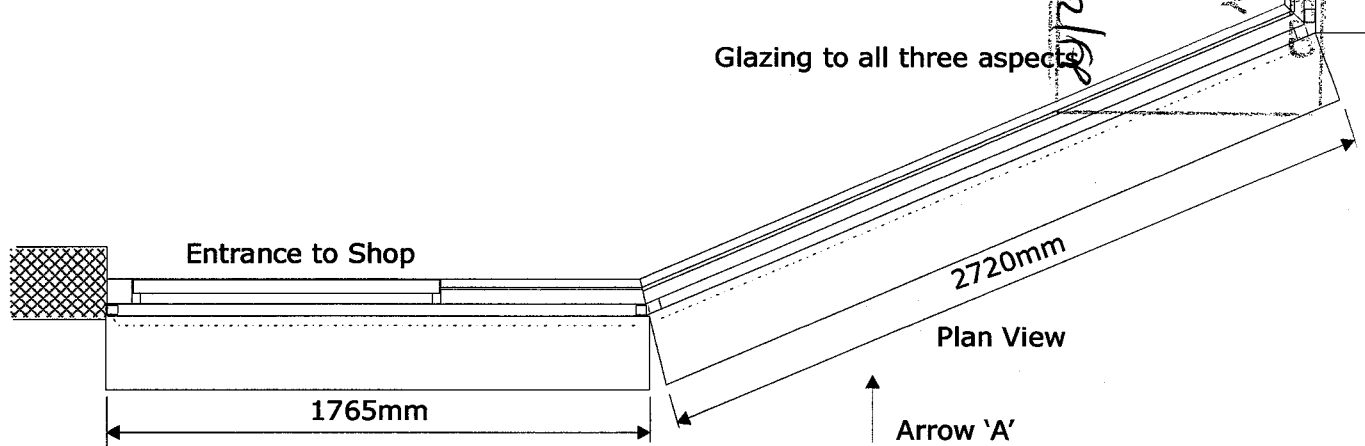
Shop Area

Glazing to all three aspects

No: N612008/2322168  
 15 FEB 2007  
 PLANNING OFFICE COPY  
 WILLYN HATEDD



Section On A - A



Plan View

Arrow 'A'

Revision Ref	Date

This drawing remains the property of Enerco Door & Loading Bay Solutions Ltd. It may neither be copied nor presented to our competitors without the prior consent for any purpose whatsoever.

**ENERCO**  
 Door and Loading Bay  
 Solutions Ltd

Customer	Morgan Hussey <i>LITCHFIELD JEWELLERS</i>
Date	7.2.07
Drawn By	Colin Hughes
Title	Plan View Of Shutter Layout