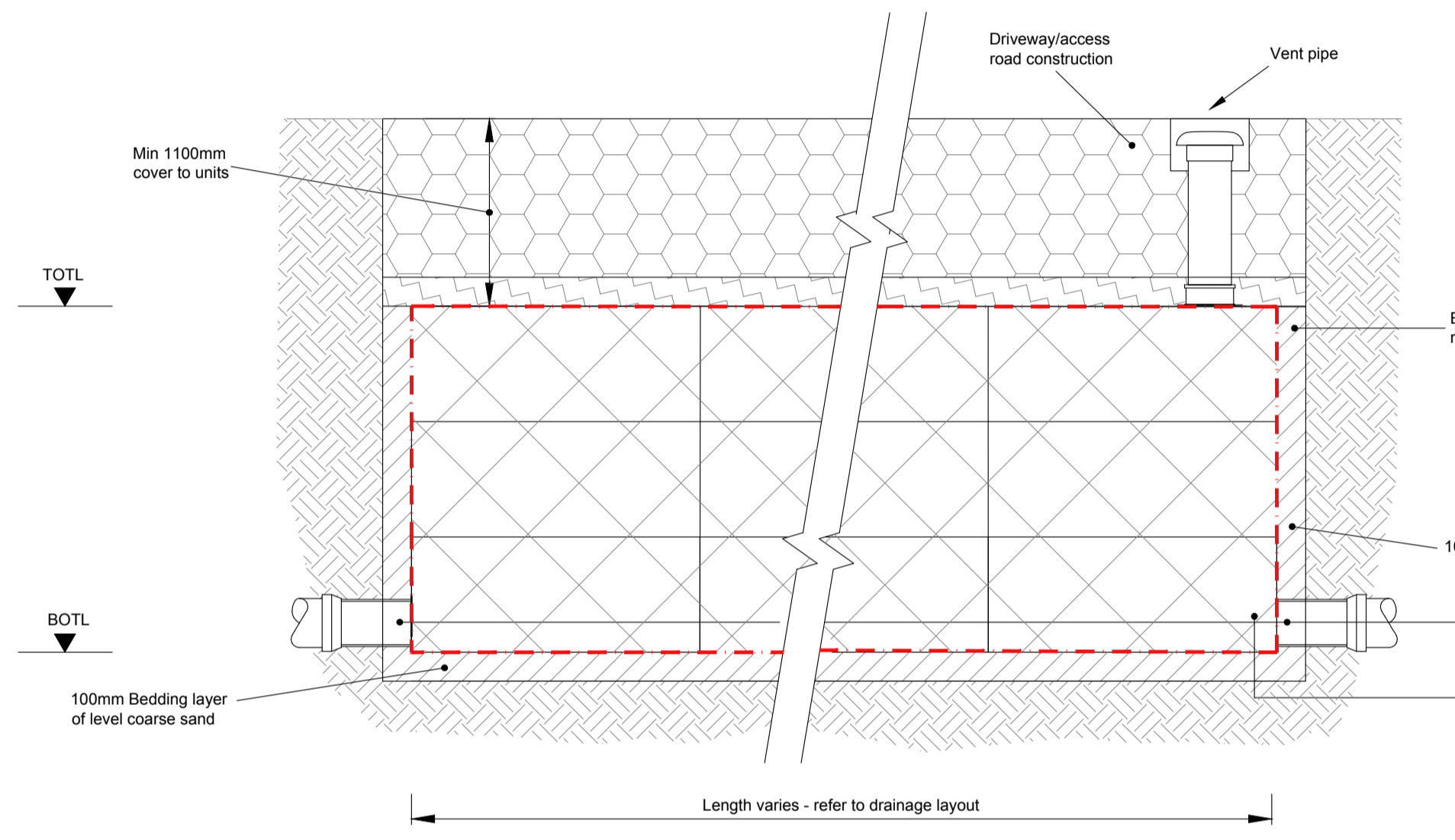


This drawing is the property of AKSWard Limited. The drawing is issued on the condition that it is not copied, reproduced, retained or disclosed to any unauthorised person, either wholly or in part without the written consent of AKSWard Limited. Do NOT scale from this drawing. AKSWard takes no responsibility for errors during photographic reproduction or printing. Any discrepancy is to be reported to the engineer immediately.

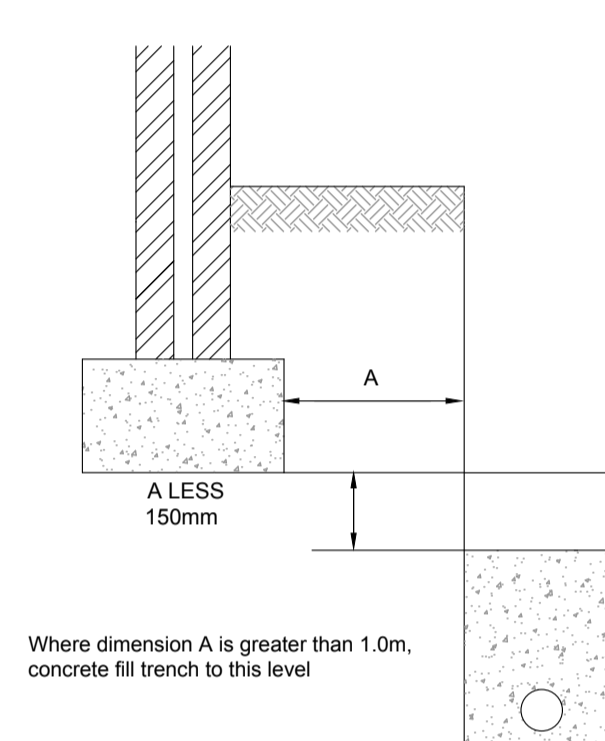
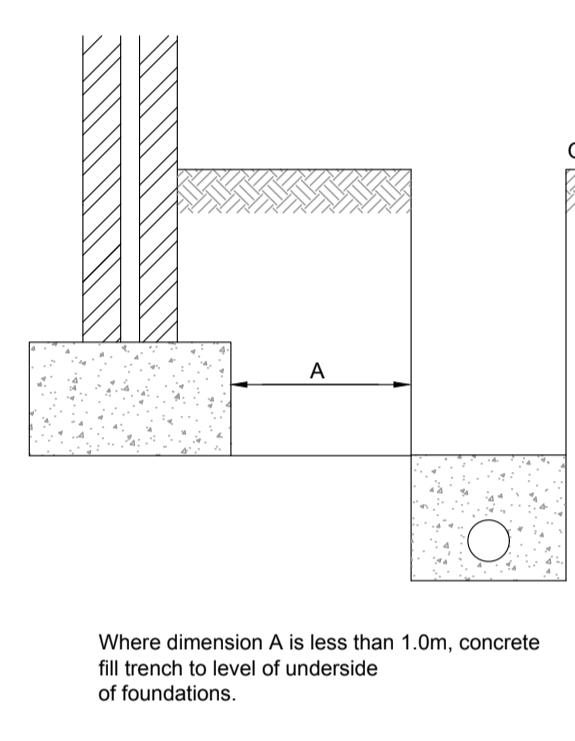
GENERAL NOTES

Proposed Typical Precast Concrete Gully



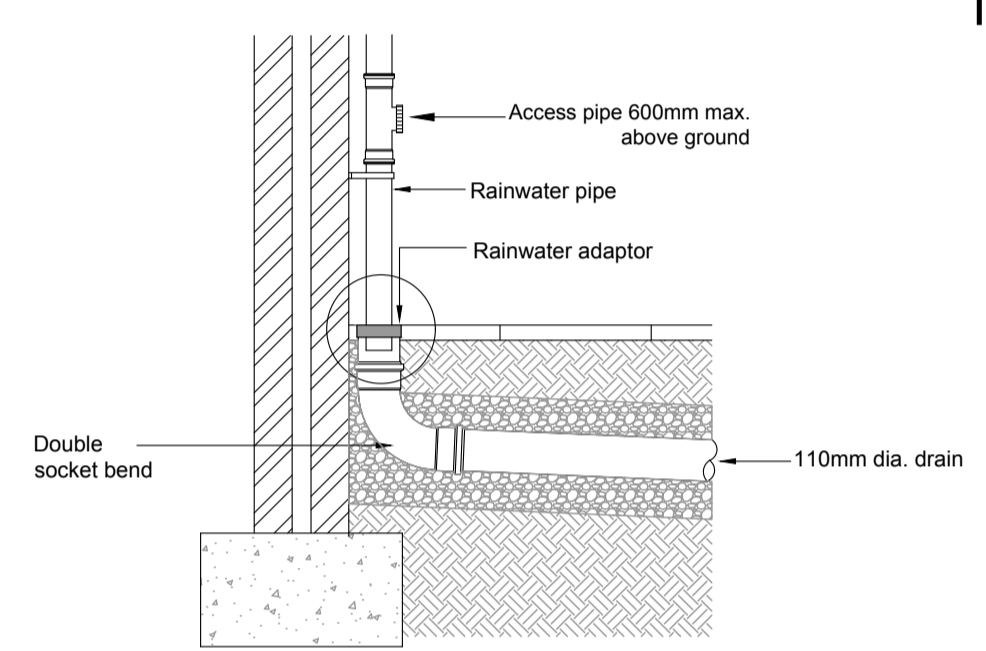
Attenuation tank using polystorm-r geomodular units trafficked areas

1.2m deep
All storage tank drainage works shall be carried out in accordance with the specifications, method statements and recommendations of poly pipe



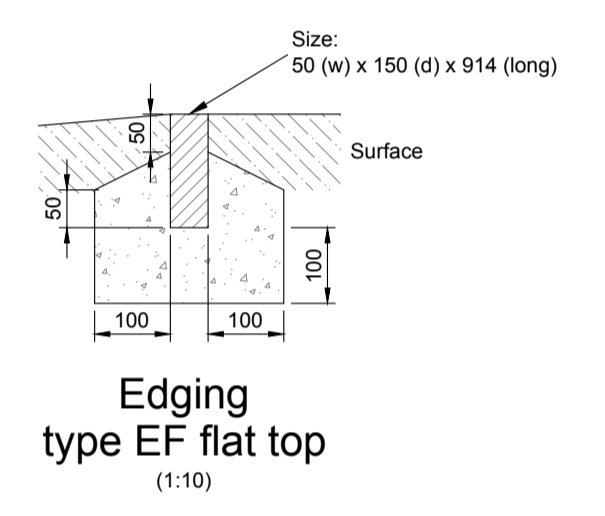
Pipes near buildings

Pipes near buildings



Rainwater pipe connection

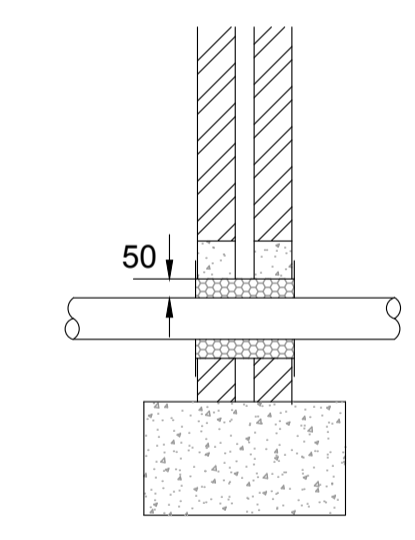
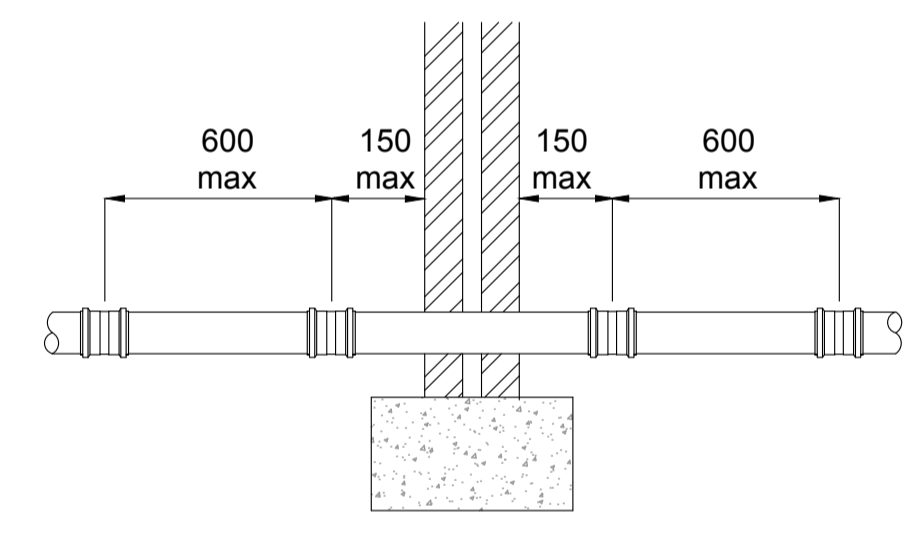
TREE ROOT BARRIER PIPE BEDDING



Concrete bed and haunch strength minimum C20/25 (to BS EN-206:2013)

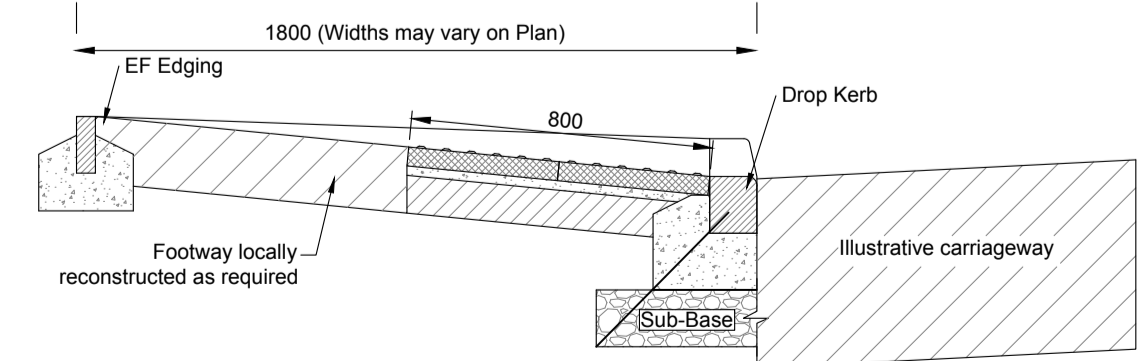
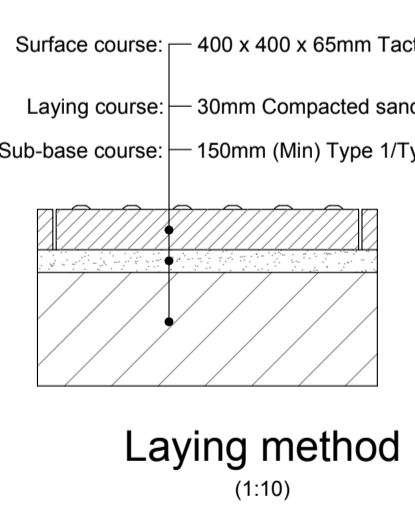
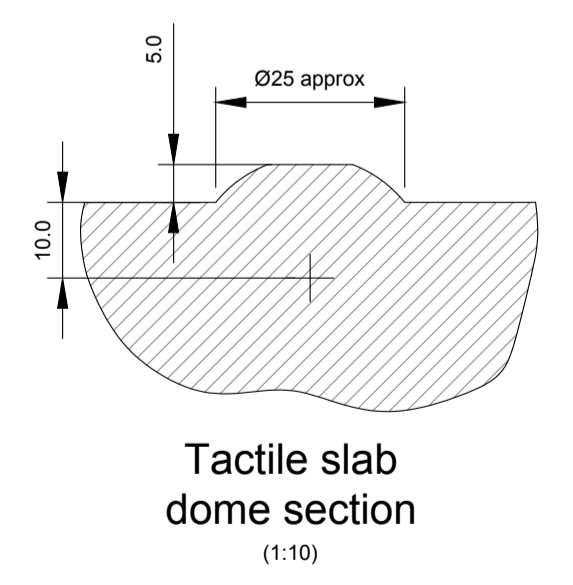
Aco Monodrain Construction Detail in Asphalt

(To be read in conjunction with Aco installation specification)



Pipes through wall detail

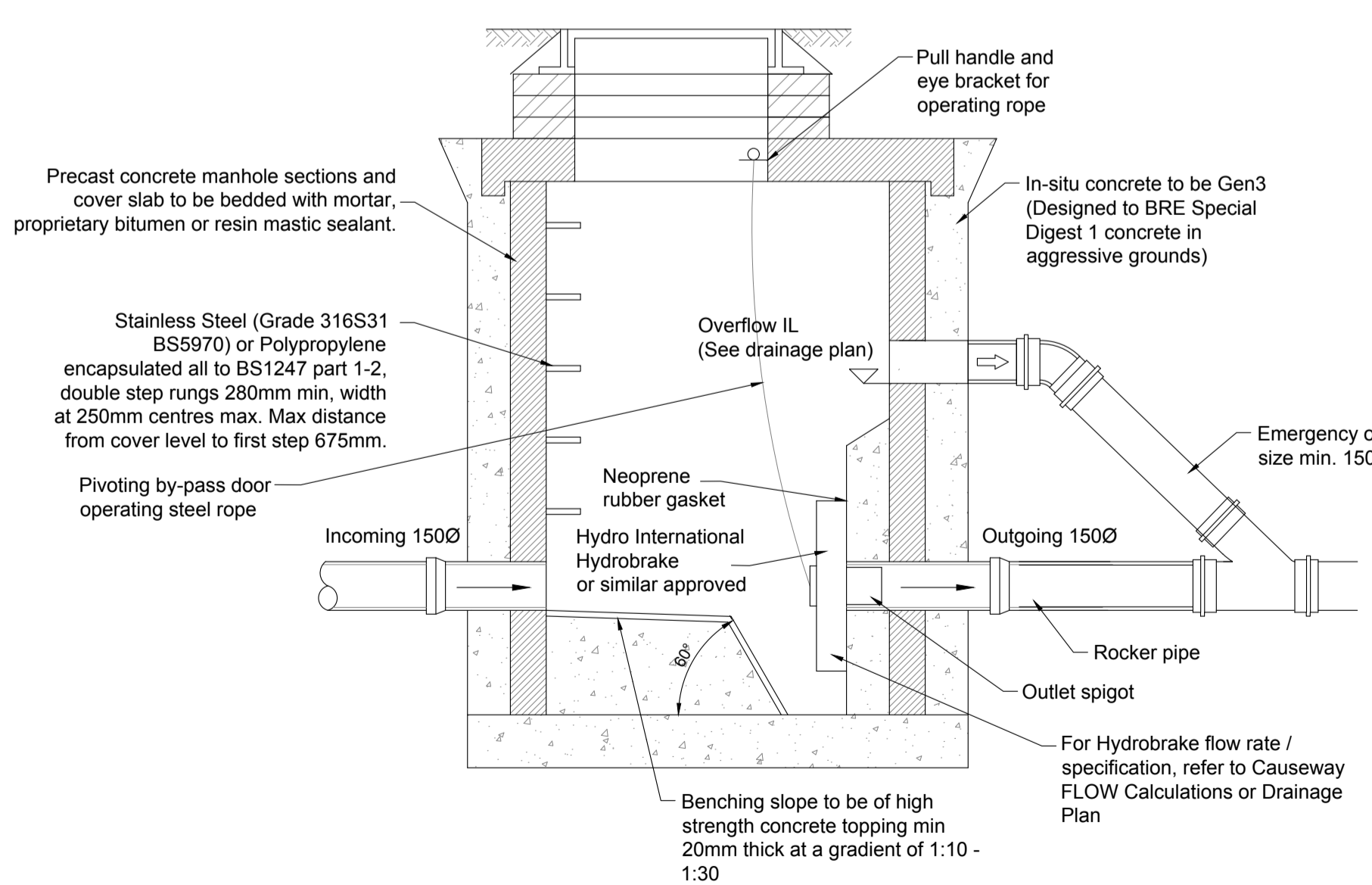
Pipes through wall with lintel detail



Tactile Crossing Typical Detail (Adjacent Carriageway)

TABLE 11 MIN. DIMENSIONS FOR ACCESS FITTINGS AND INSPECTION CHAMBERS					
TYPE	DEPTH TO INVERT FROM COVER LEVEL (m)	INTERNAL SIZES		COVER SIZES	
		RECTANGULAR LENGTH AND WIDTH	CIRCULAR DIAMETER	RECTANGULAR LENGTH AND WIDTH	CIRCULAR DIAMETER
Rodding Eye		As drain but min 100			Same size as pipework (1)
Access Fittings					Same size as access fitting
small	0.6 or less, except where situated in a chamber	150x100	150	150x100 (1)	
large		225x100	225	225x100 (1)	
Inspection Chamber					
Shallow	0.6 or less	225x100	190 (2)	-	190 (1)
	1.2 or less	450x450	450	Min 430x430	430
Deep	>1.2 but <3.0	450x450	450	max 300x300 (3)	Access restricted to max 350 (3)

Notes:
(1) The clear opening may be reduced by 20mm in order to provide proper support for the cover and frame.
(2) Drains upto 150mm.
(3) A larger clear opening may be used in conjunction with a restricted access. The size is restricted for health and safety reasons to deter entry.



Typical Hydrobrake Manhole detail

Chamber is to be constructed to flow control manufacturers specific requirements

C01 Construction Issue	TZ	CS	14.02.22
Rev.	Amendment	Dm	Chkd Date
Dwg Status	CONSTRUCTION		Subtality A1

AKSWard

CONSTRUCTION CONSULTANTS
116 High Street
The French Quarter
Southampton
SO14 2AA
Tel: 02380 235340
Fax: 02380 634294
e-mail: southampton@aksward.com
web: www.aksward.com

Client **Bourne Parking Limited**

Project **Welwyn Campus Welwyn Garden City**

Typical Construction Details Sheet 1 of 2

Reviewed Scheme	JD	Date	14.02.22
Reviewed Final	JD	Date	14.02.22
Scales at A1	1:20/As Shown	Project No.	S208011
Project Ref.	Originator	Zone	Level
Type	Role	Dwg No.	Rev.