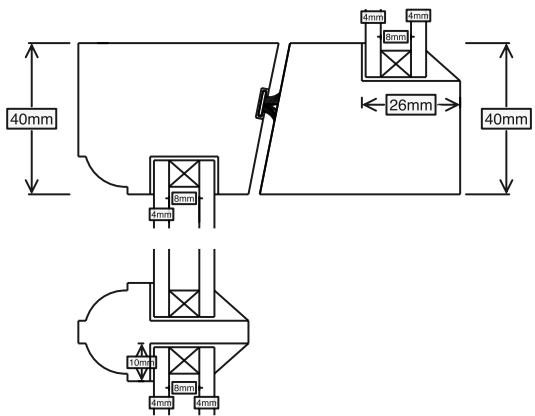
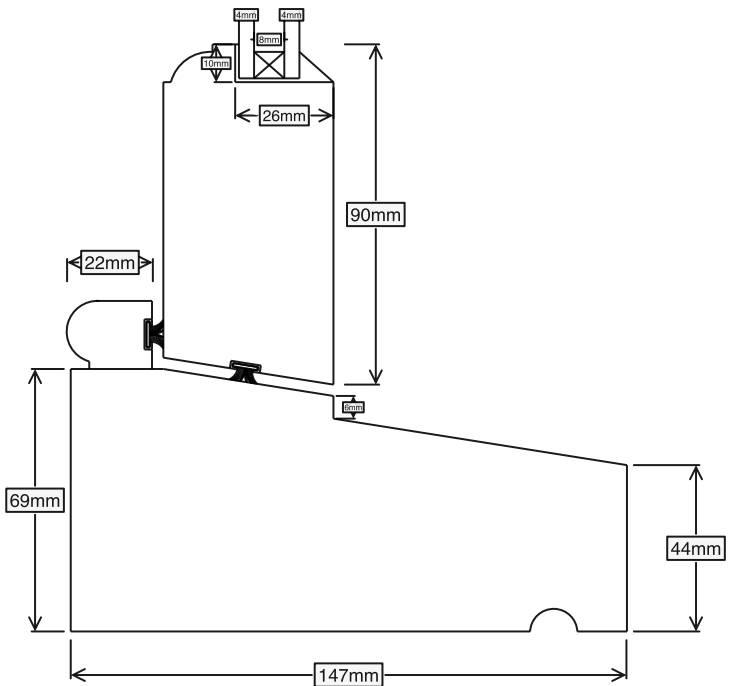


Inside

Outside



Section A-A



| | |
|---|-----------------------|
| Ventrolla Ltd | Drawing no. MJ/004 |
| Northward House Coopers Lane EN6 4PS | |
| Date - 21 - 01 - 2020 | |
| Sections | Scale 1:2 @ A4 |
| Box frame and Timber sash window | |
| Glass = 4:8:4 DGU Krypton gas Low E | |
| Painting Inside = white gloss Outside = White satin | |
| | Page 4 |