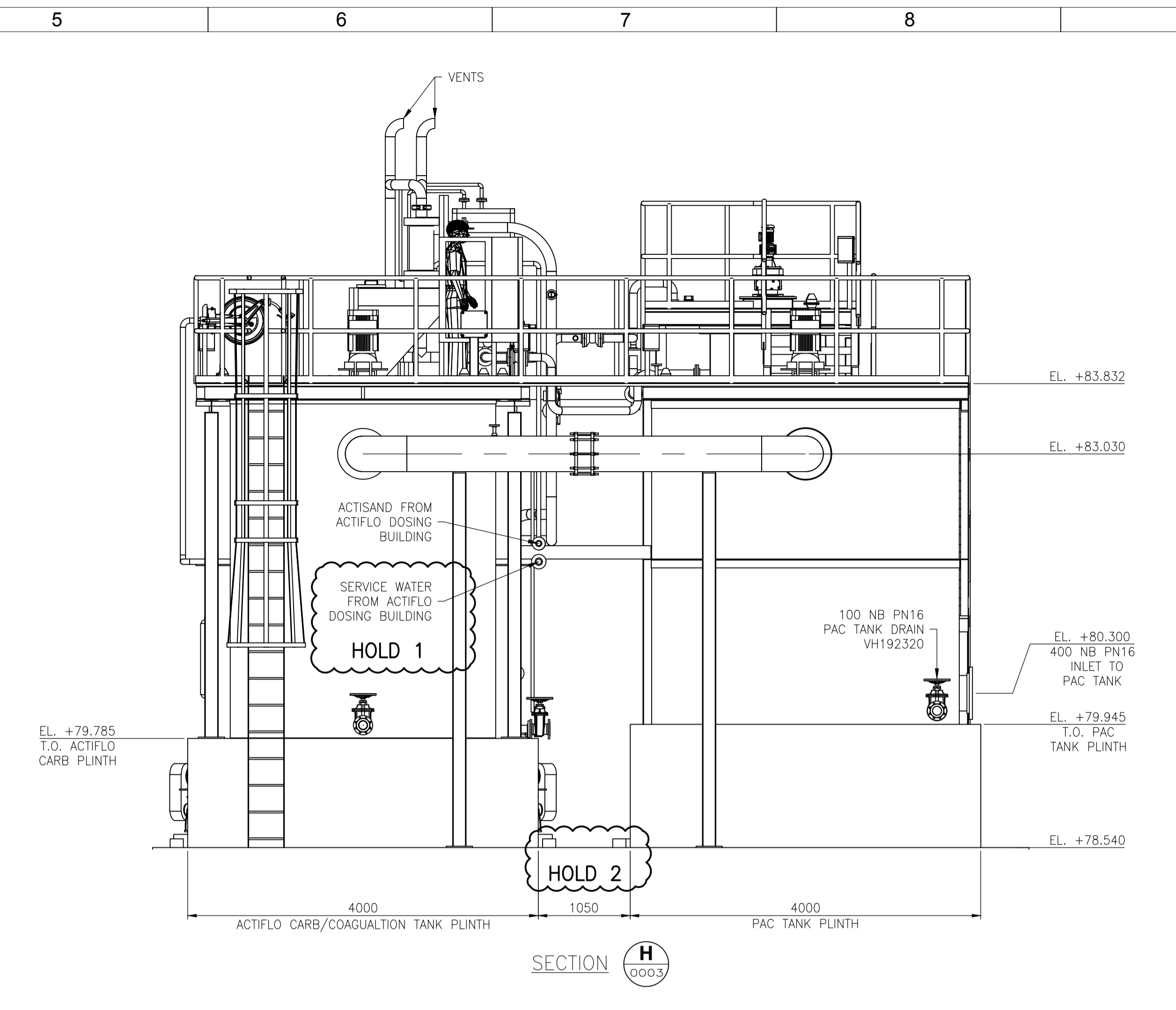
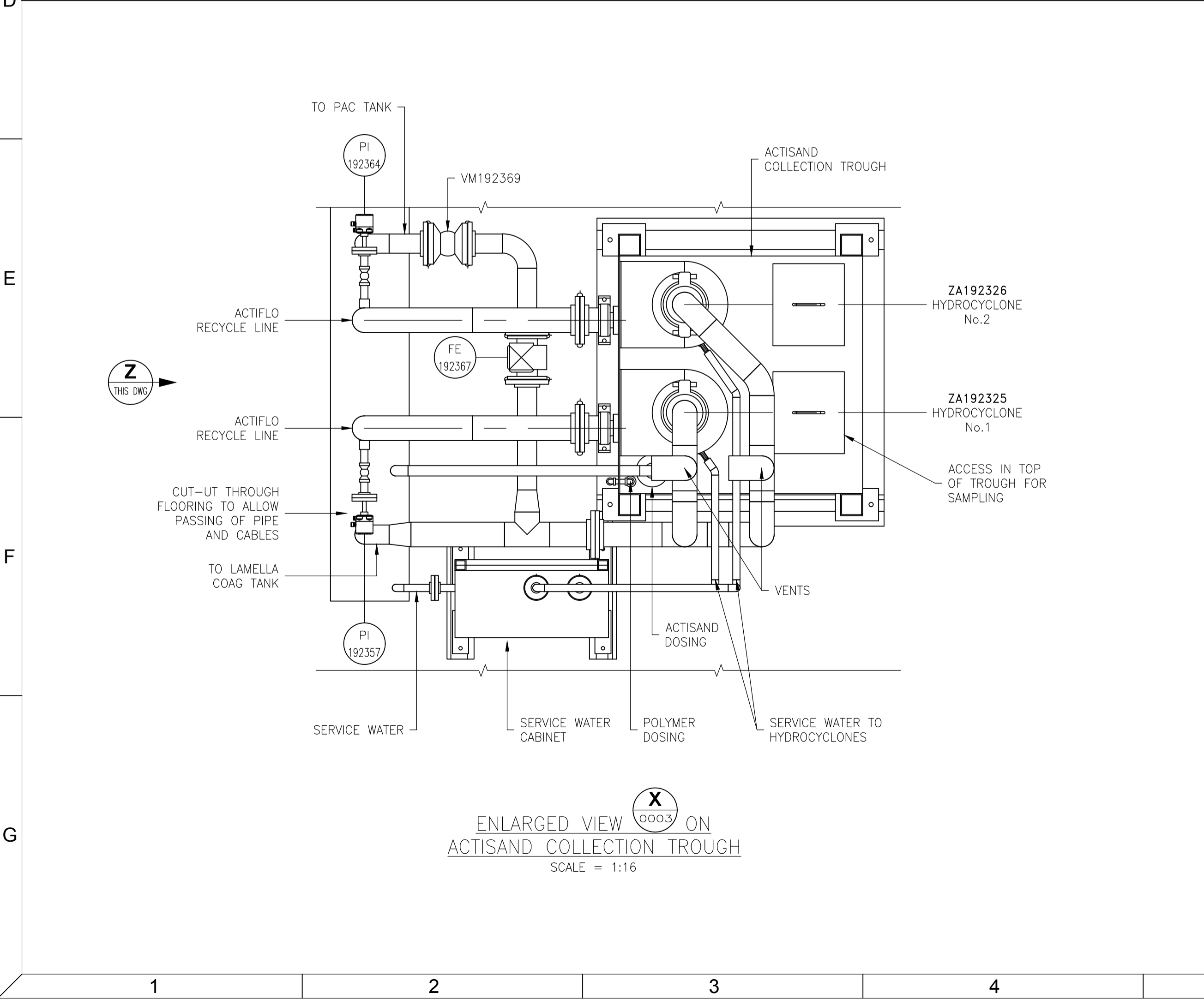


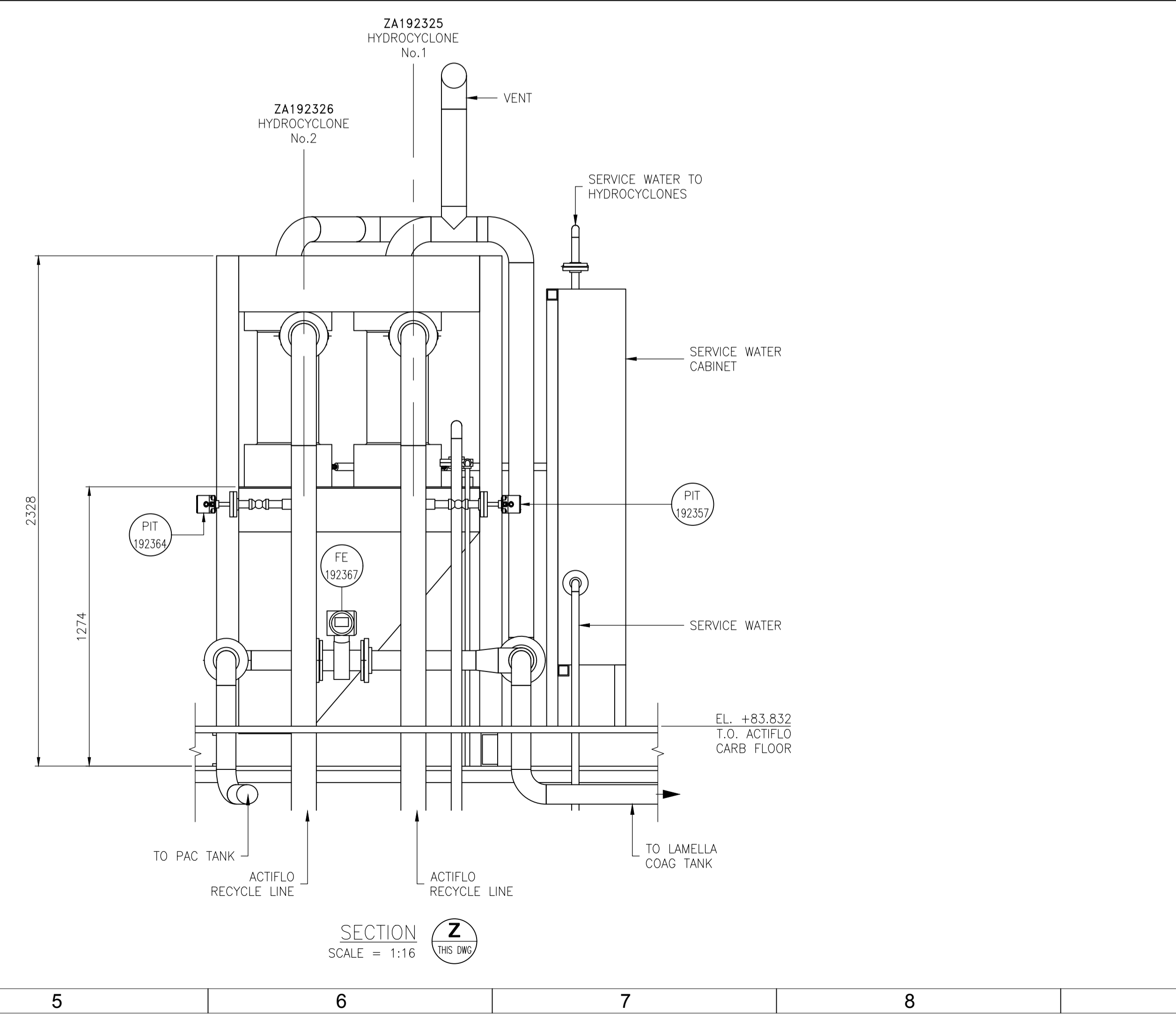
SECTION G  
0003



SECTION H  
0003



ENLARGED VIEW X ON  
ACTISAND COLLECTION TROUGH  
SCALE = 1:16



SECTION Z  
SCALE = 1:16

**NOTES**

- ALL DIMENSIONS IN MILLIMETERS.
- FLANGE CONNECTIONS TO BS EN 1092 PN16 UNLESS OTHERWISE STATED.

**HOLDS**

- SERVICE WATER CONNECTION ASSUMED TO BE INSIDE OF ACTIFLO DOSING BUILDING, LOCATION TO BE CONFIRMED.
- NUMBER OF CABLE DUCTS AND DUCT SIZES REQUIRED TO BE DETERMINED BY TRANT. SIZE AND QUANTITY OF CABLE TRAYS REQUIRED TO BE CONFIRMED BY TRANT.

**REFERENCE DRAWINGS**

**GENERAL ARRANGEMENT DRAWINGS:**

|                     |                                  |
|---------------------|----------------------------------|
| P018849-DR-381-0001 | ISOMETRIC VIEW                   |
| P018849-DR-381-0002 | OVERALL PLAN                     |
| P018849-DR-381-0003 | ACTIFLO AREA PLAN                |
| P018849-DR-381-0004 | ACTIFLO AREA SECTION PLAN        |
| P018849-DR-381-0005 | ACTIFLO AREA SECTIONS            |
| P018849-DR-381-0006 | ACTIFLO AREA SECTIONS            |
| P018849-DR-381-0008 | ACTIFLO DOSING BUILDING PLAN     |
| P018849-DR-381-0009 | ACTIFLO DOSING BUILDING SECTIONS |

|     |                                       |         |     |         |         |
|-----|---------------------------------------|---------|-----|---------|---------|
| REV | DESCRIPTION                           | DJB     | JKR | GS      | OR      |
| B   | EQUIPMENT NOT IN VEOLIA SCOPE DELETED | 26.9.18 | -   | 26.9.18 | 26.9.18 |

VEOLIA WATER TECHNOLOGIES  
AQUA HOUSE,  
2620 KINGS COURT,  
BIRMINGHAM BUSINESS PARK,  
BIRMINGHAM. B37 7YE  
TEL: 0203 567 7400

TRANT Engineering Ltd.  
Head Office: Rushington House,  
Rushington,  
Southampton SO40 9LT.  
Telephone: (023) 8066 5544  
E-Mail: engineering@trant.co.uk

| Rev | Description                           | Design | Check | Approve | Date     |
|-----|---------------------------------------|--------|-------|---------|----------|
| A   | PRELIMINARY ISSUE                     | DJB    | -     | MK      | 21.09.18 |
| B   | EQUIPMENT NOT IN VEOLIA SCOPE DELETED | DJB    | -     | OR      | 26.09.18 |

**Afinity Water**

Afinity Water Limited  
Tomblin Way  
Hatfield  
Herts. AL10 9EZ

Site: **NORTH MYMMS**

Project: **METALDEHYDE REMOVAL**

Title: **GENERAL ARRANGEMENT ACTIFLO AREA SECTIONS**

|                     |               |             |        |              |    |
|---------------------|---------------|-------------|--------|--------------|----|
| Job No:             | Sheet Size:   | A1          | Scale: | 1:40         |    |
| Design:             | DJB           | Checked By: | -      | Approved By: | MK |
| Sheet 1 of 1 Sheets | Dos Location: |             |        |              |    |

Drawing No: **P018849-DR-381-0007** Rev: **B**