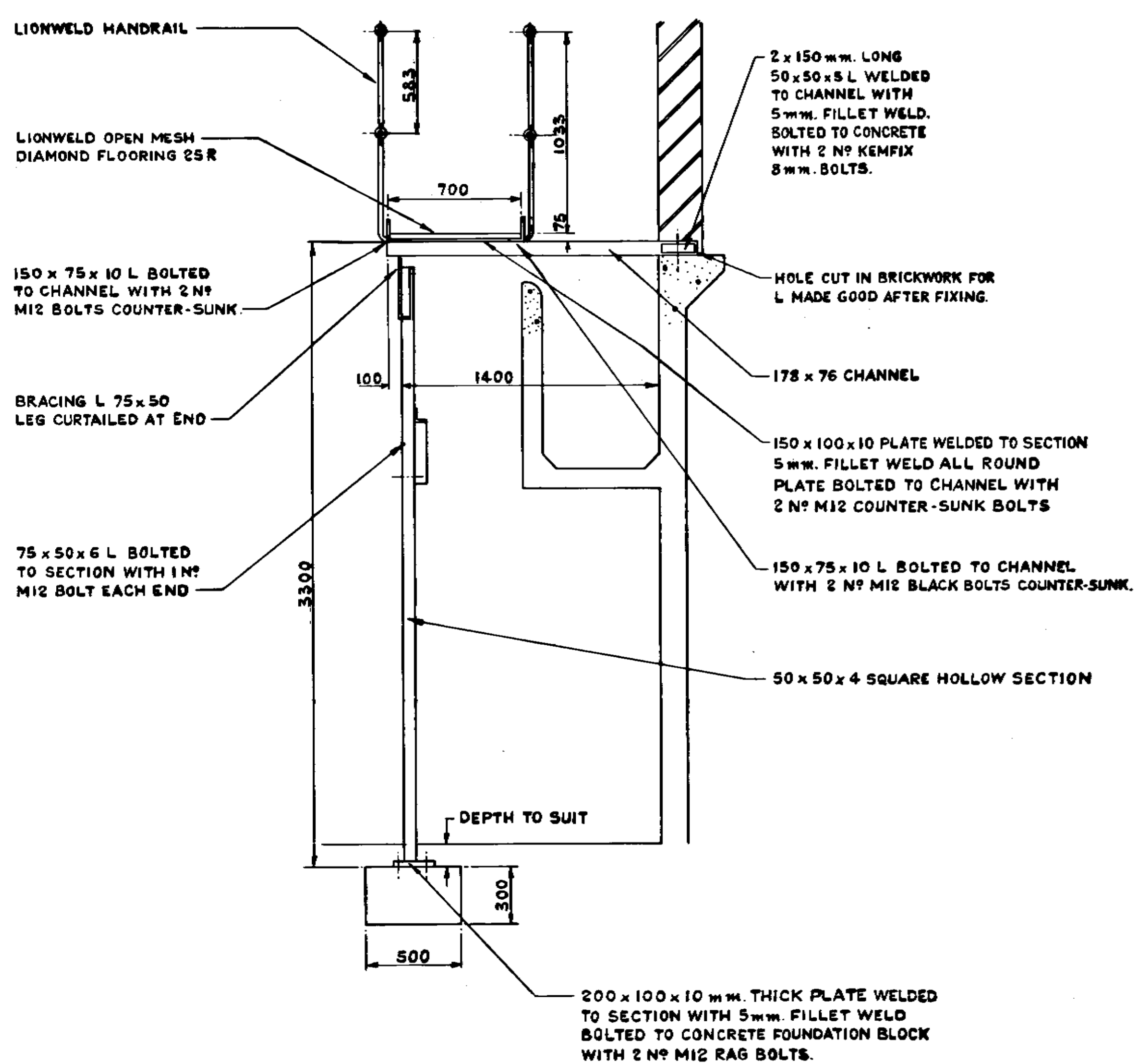
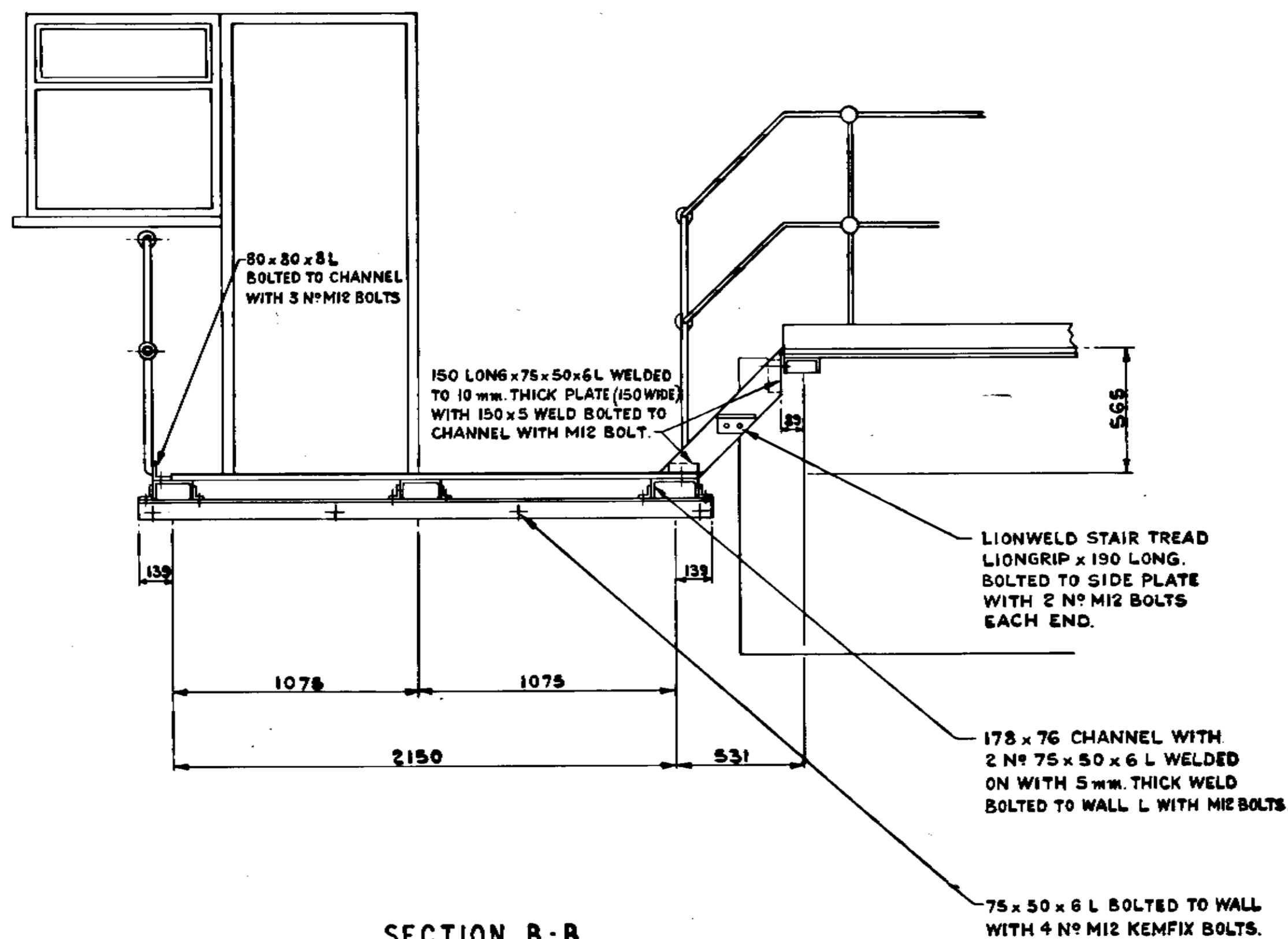


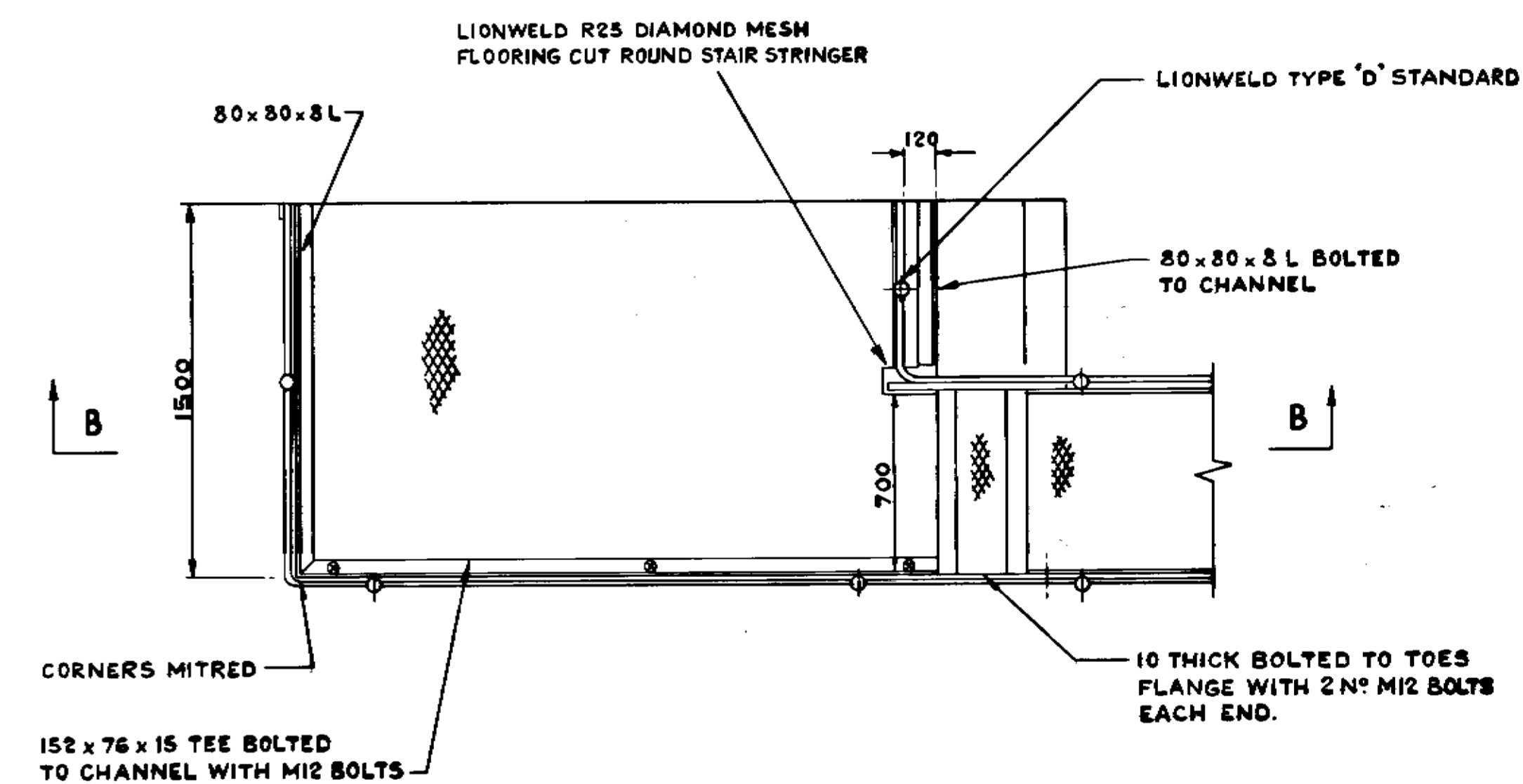
REAR ELEVATION FILTER BLOCK
SCALE 1:50



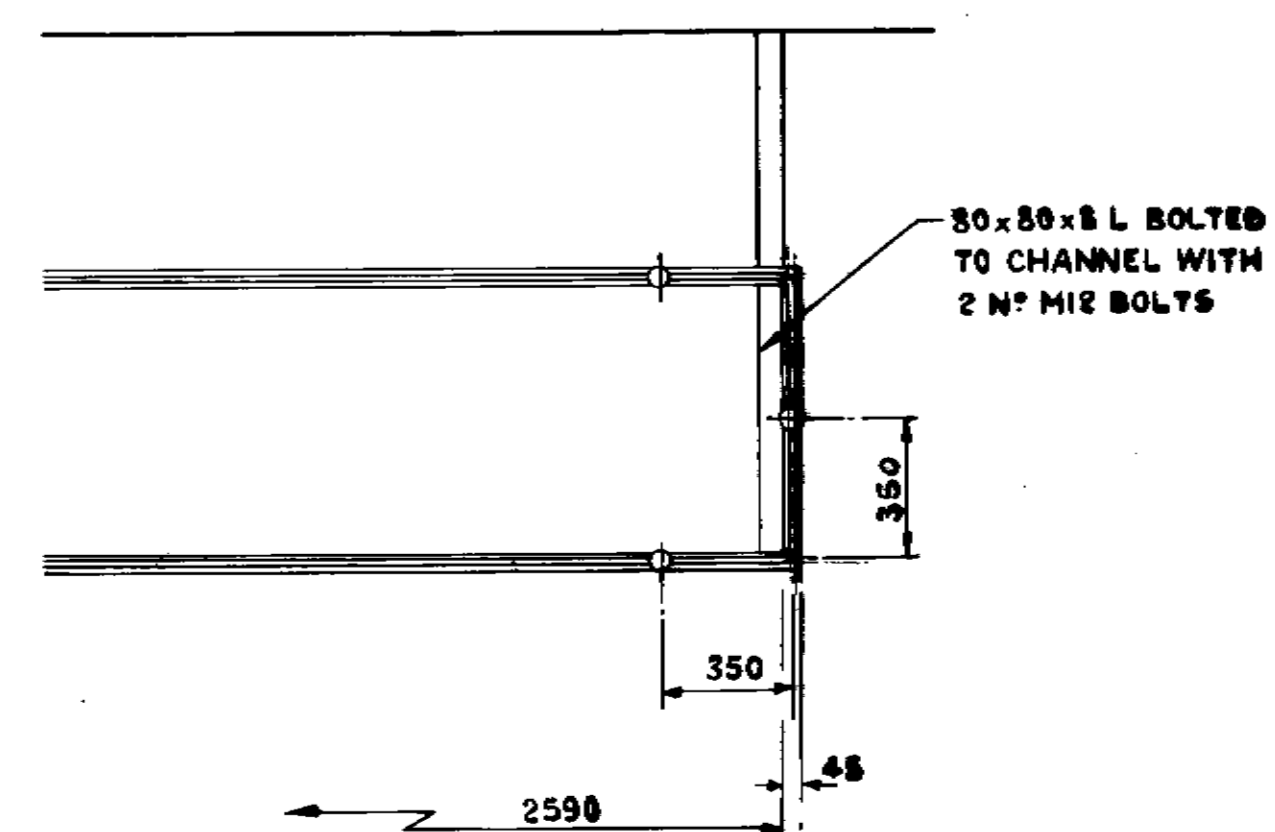
SECTION A-A
SCALE 1:20



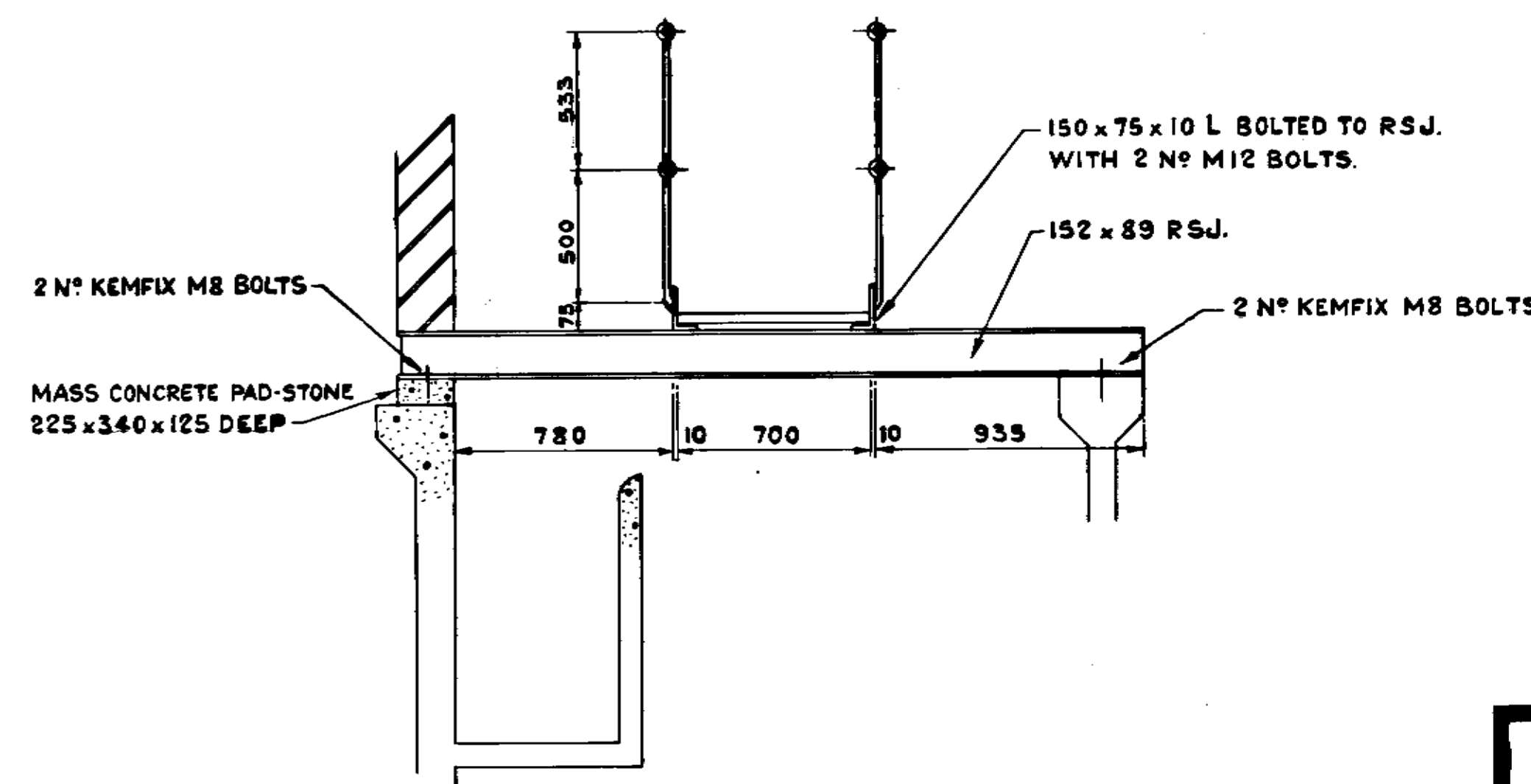
SECTION B-B



DETAIL OF PLATFORM AT ACCESS DOOR END
SCALE 1:20



DETAIL OF PLATFORM AT NORTH END
SCALE 1:20



SECTION B-B
SCALE 1:20

ALL DIMENSIONS ARE IN MILLIMETRES

LEE VALLEY WATER COMPANY
CHIEF ENGINEER S. R. RIPPON, B.Sc., M.I.C.E., F.I.W.E.S.
BISHOPS RISE, HATFIELD, HERTS.

NORTH MIMMS RECONSTRUCTION
REAR ELEVATION OF FILTER BLOCK

DRAWING No. 303/125/58 REVISION A

DRAWING TRACED
E.N.E. 4-6-80

A

DRAWN R.N.R. TRACED M.M. APPROVED DATE 4-6-80 SCALES AS SHOWN

303/125/58