

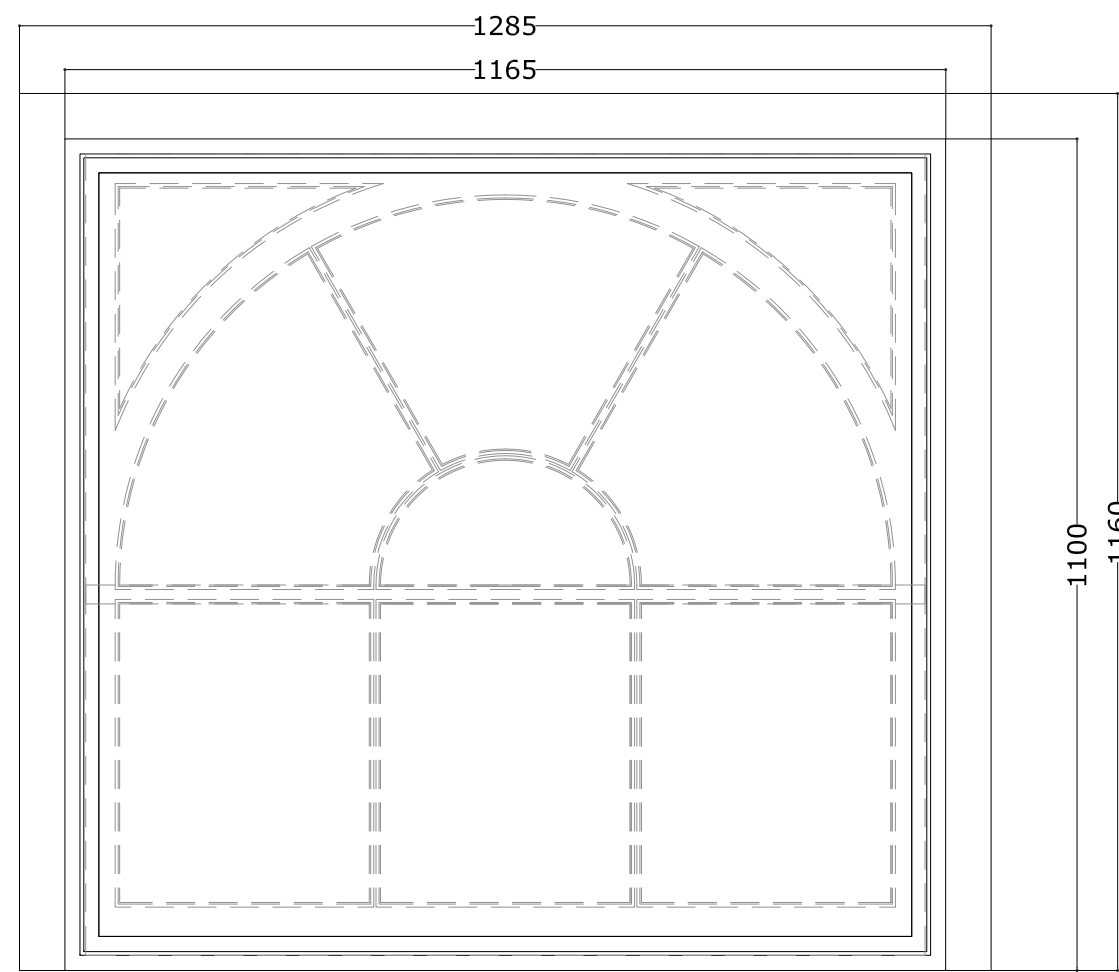
WINDOW	SIDE	FLOOR	TYPE
N.49	SOUTH	SECOND	SASH DOUBLE HUNG

WINDOW	SIDE	FLOOR	TYPE
N.50/51	SOUTH	SECOND	SASH DOUBLE HUNG
N.52	WEST	SECOND	SASH DOUBLE HUNG

GENERAL NOTES

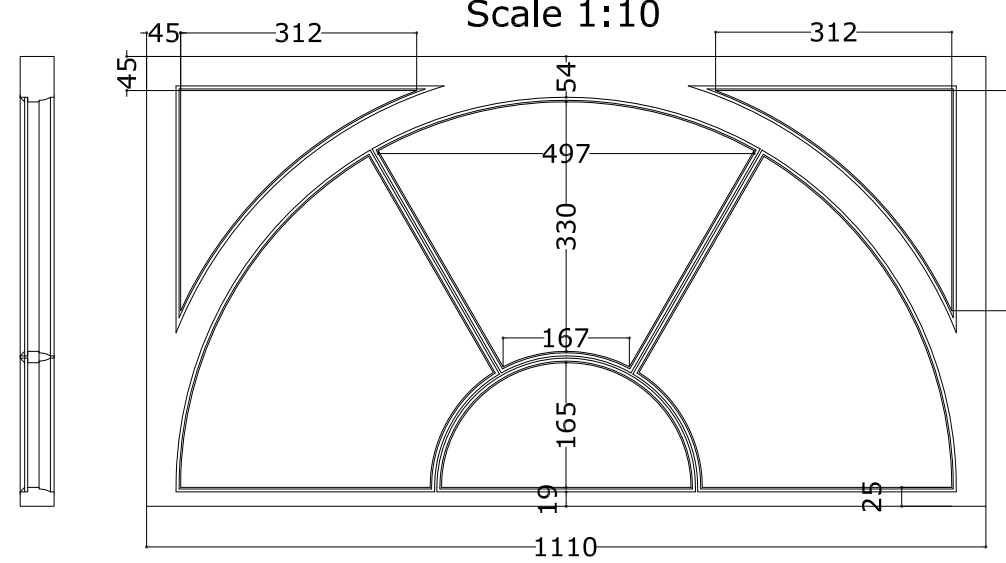
All dimensions to be checked on site and any discrepancy to be notified to the supervising officer.
 No dimension to be scaled from the drawings for construction purposes unless otherwise indicated. All work is to comply with Building Regulations including amendments made in April 2002.
 The sole purpose of this drawing is the procurement of Planning Permission and Building Regulation approval and work is NOT to commence before such approvals.
 Where this drawing is used for the works full specifications should be agreed with the tenderer to include Heating, Plumbing & other services where required.
 Heating work or other appliances involving Gas should be carried out by a 'CORGI' approved contractor.

INSIDE LININGS ELEVATION

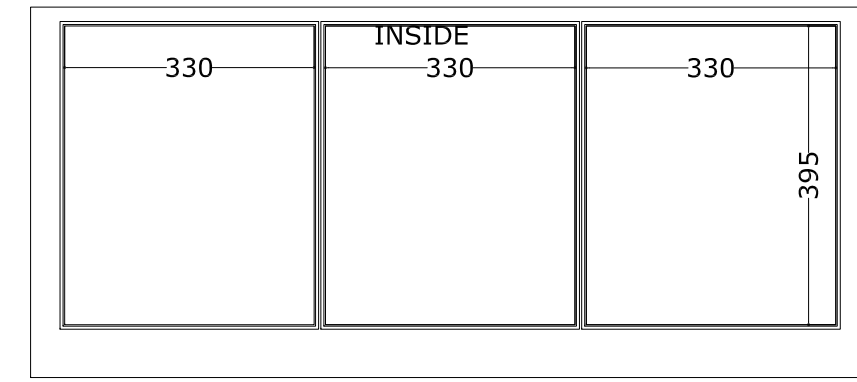


Scale 1:10

UPPER WINDOW

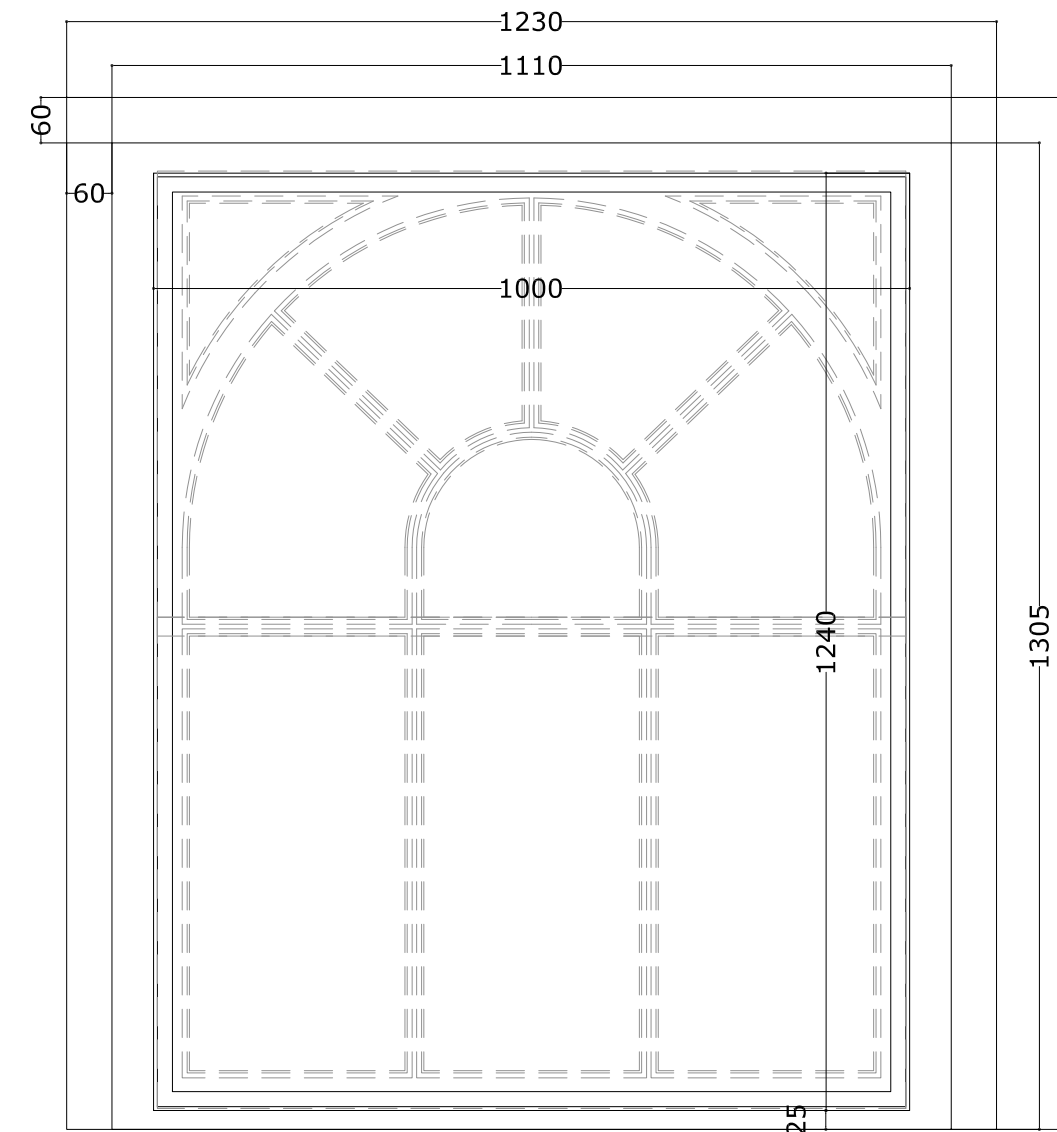


LOWER WINDOW



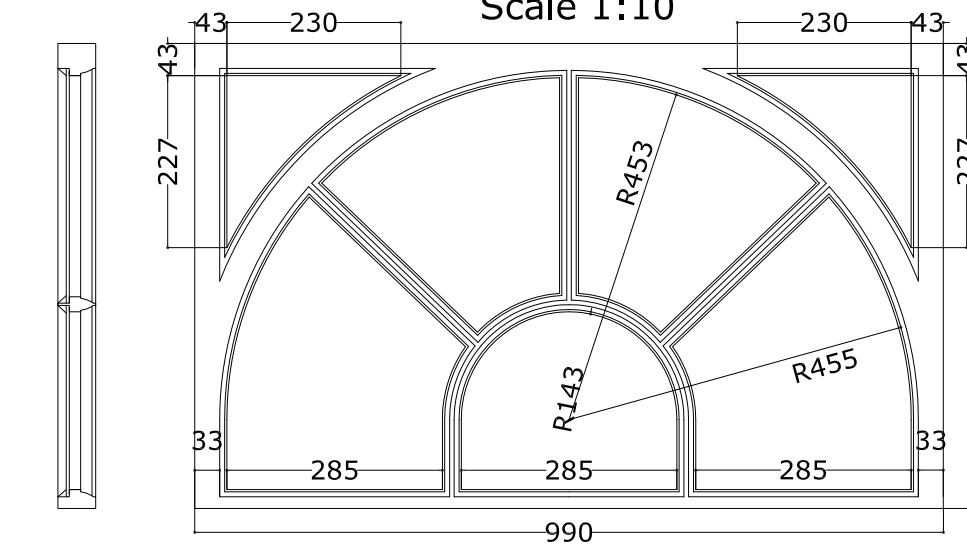
INSIDE

INSIDE LININGS ELEVATION

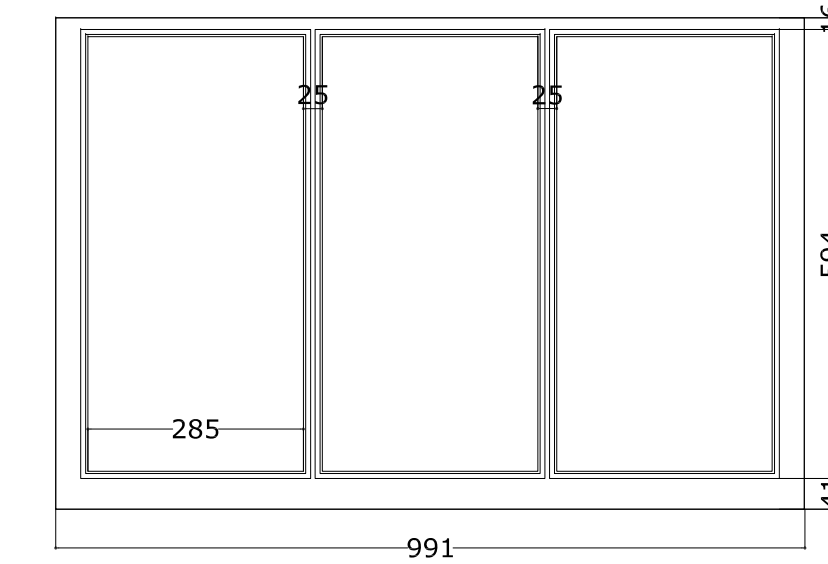


Scale 1:10

UPPER WINDOW

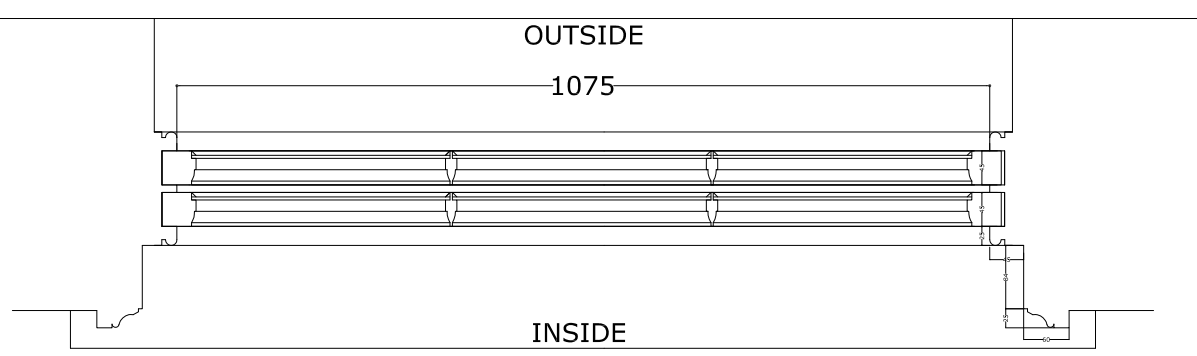


INSIDE

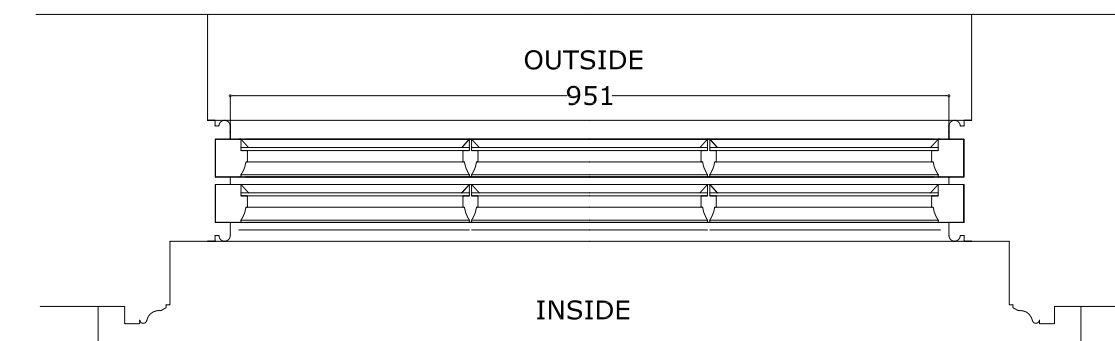


LOWER WINDOW

INSIDE



PLAN SECTION



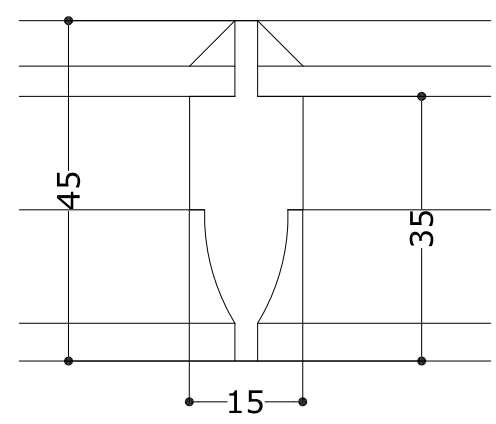
PLAN SECTION



SOUTH ELEVATION



SOUTH-WEST CORNER ELEVATION

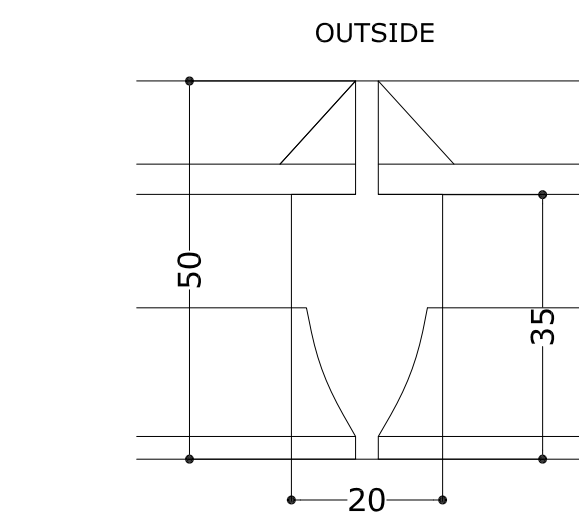
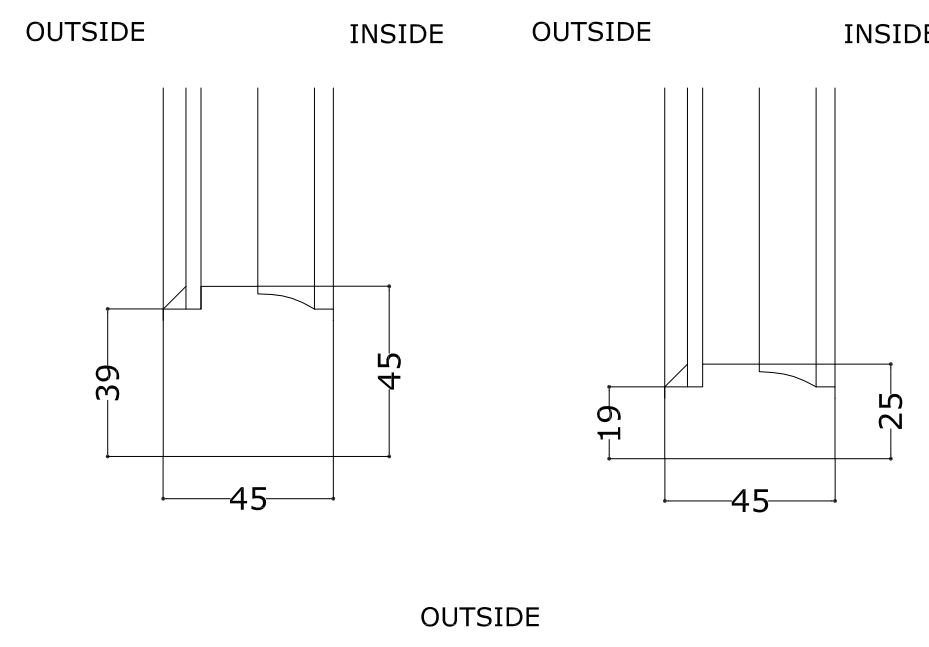
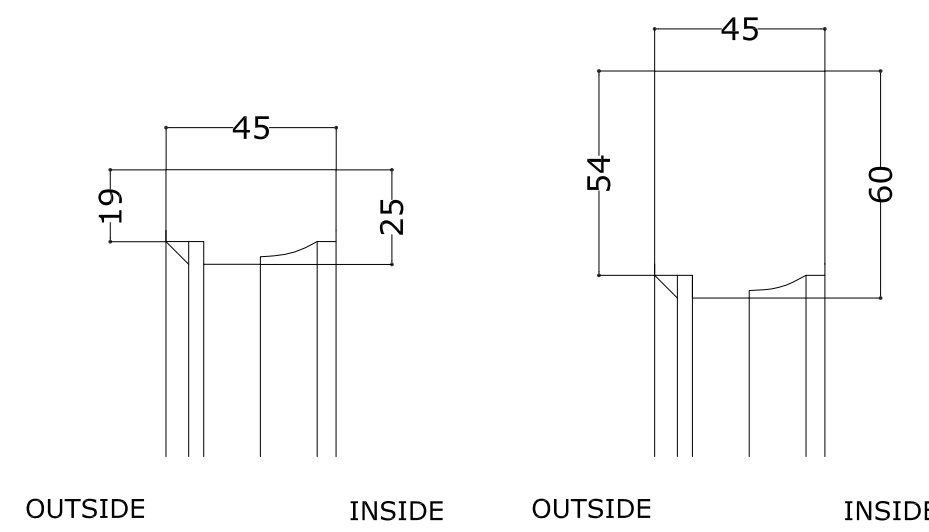


Scale 1:1

MUNTIN

LOWER WINDOW UPPER WINDOW

Scale 1:2

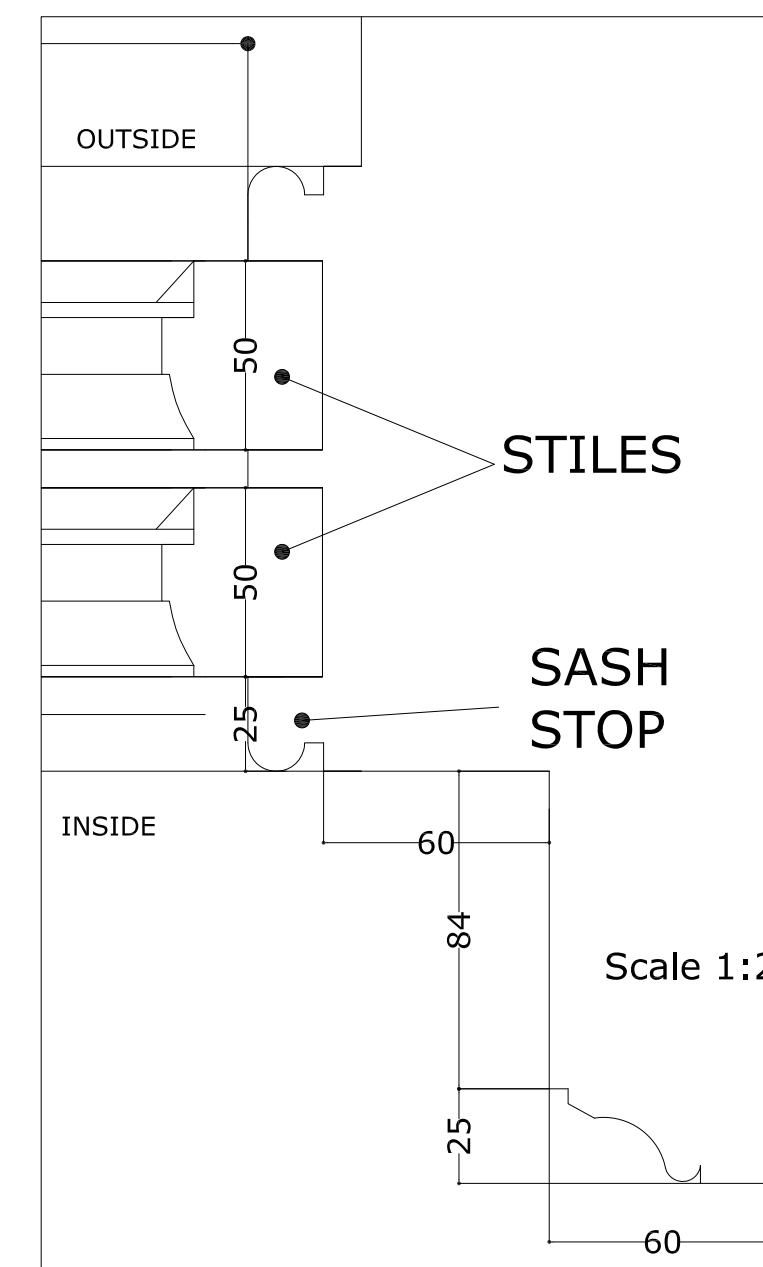
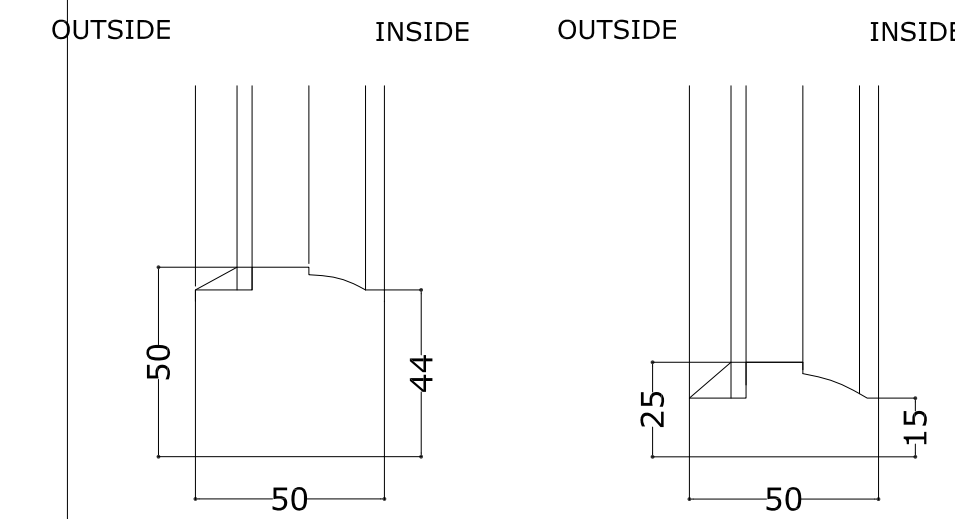
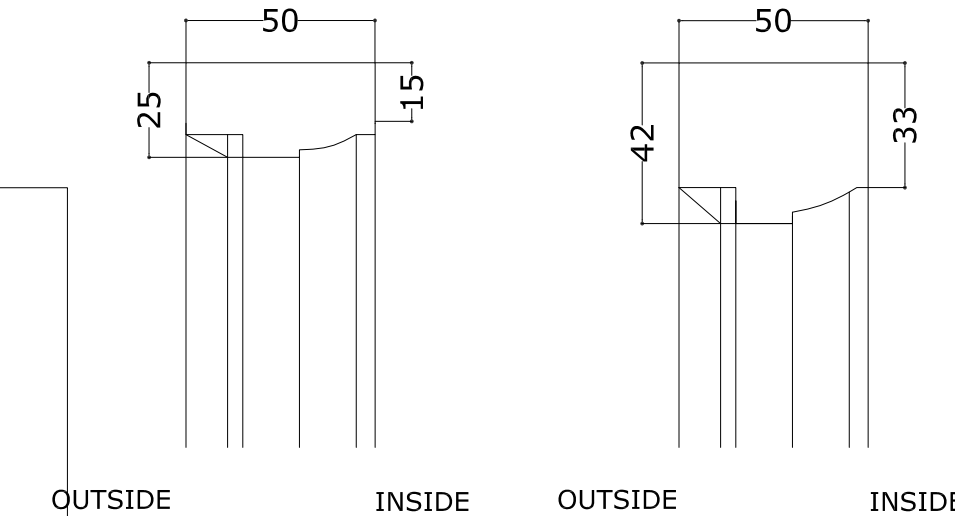


Scale 1:1

MUNTIN

UPPER WINDOW

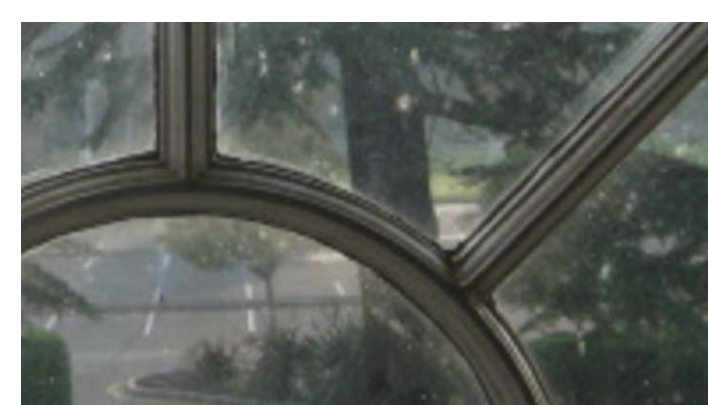
Scale 1:2



Scale 1:2

STILES

SASH STOP



REVISION	DESCRIPTION	BY	DATE

Saloria
 CHARTERED ARCHITECTS
 Unit 26 Cygnus Business Centre, Dalmeyer Road NW10 2XA
 Tel.: +44 (020) 8451 7833 +44 (020) 8459 9600
 Fax: +44 (020) 8451 3370
 Email: l.vekaria@saloria.co.uk website: www.saloria.co.uk

PROJECT
 EXISTING WINDOWS - SURVEY -
 MAIN HOUSE AT OSHWAL CENTRE
 COOPERS LANE ROAD
 NORTHAW HEARTFORDSHIRE EN6 4DG

DRAWING TITLE
WINDOWS 49-50-51-52

DATE 15.05.2015 DRAWN BY DP
 SCALE VARIOUS@A1, VARIOUS-1/2@A3 CHECKED BY LV

DRAWING NO. 6842-70-P0 REVISION