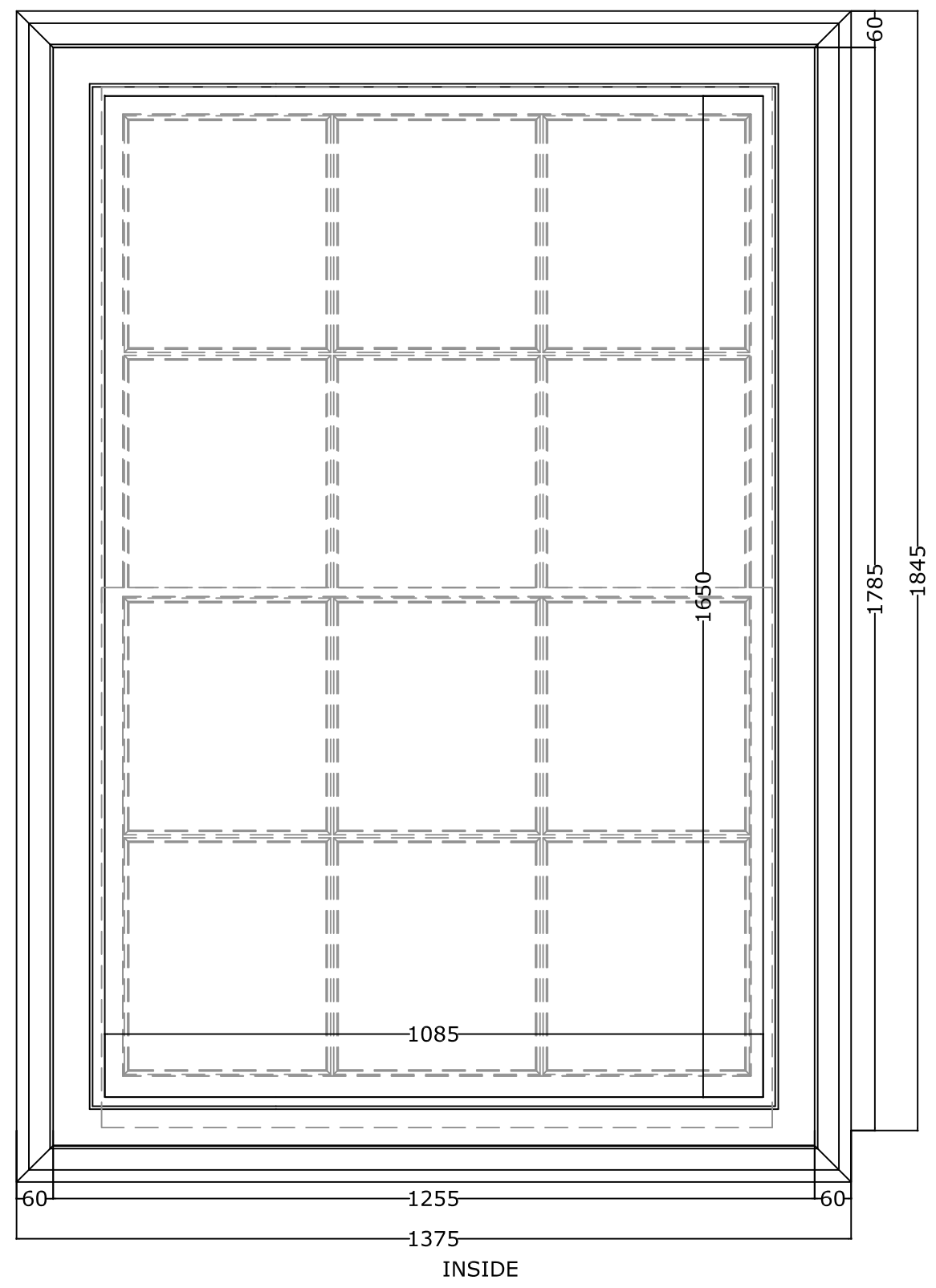
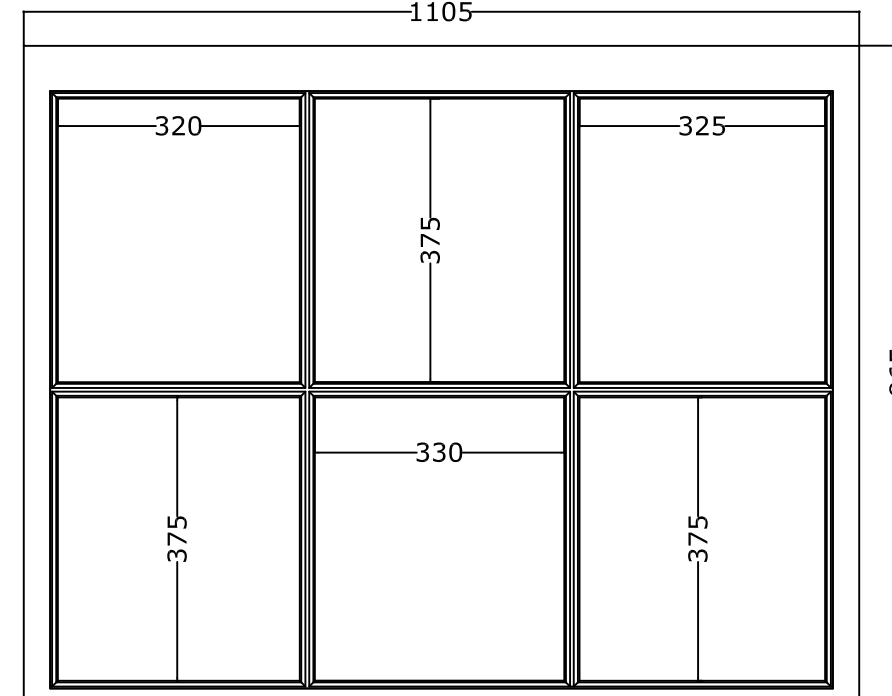


WINDOW	SIDE	FLOOR	TYPE
N.30	SOUTH	FIRST	SASH DOUBLE HUNG

INSIDE LININGS ELEVATION  
Scale 1:10

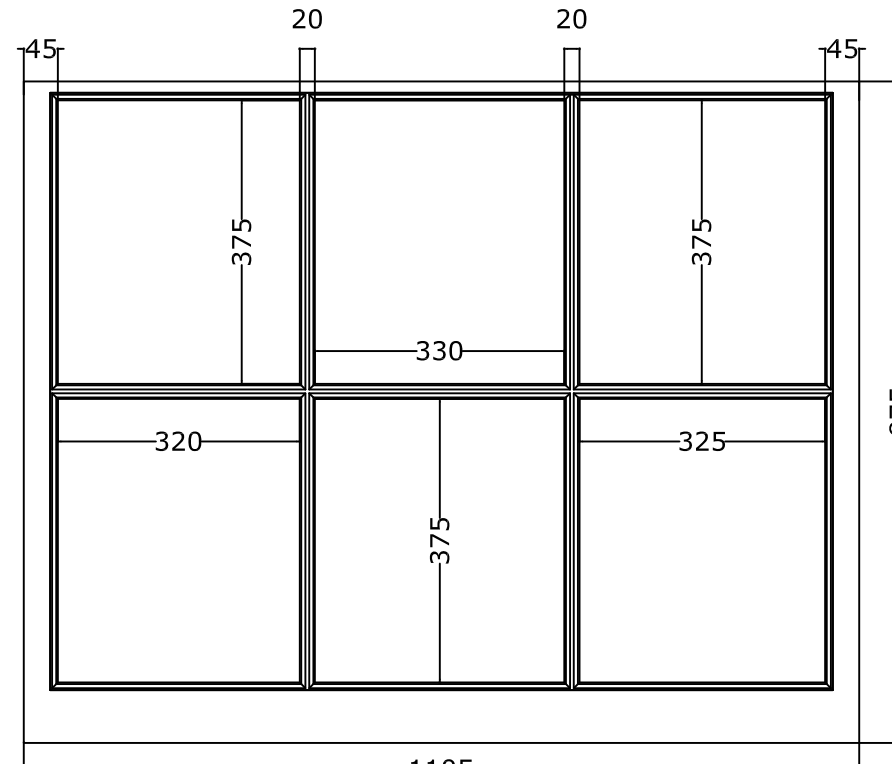


UPPER WINDOW  
Scale 1:10



INSIDE

Scale 1:10



LOWER WINDOW

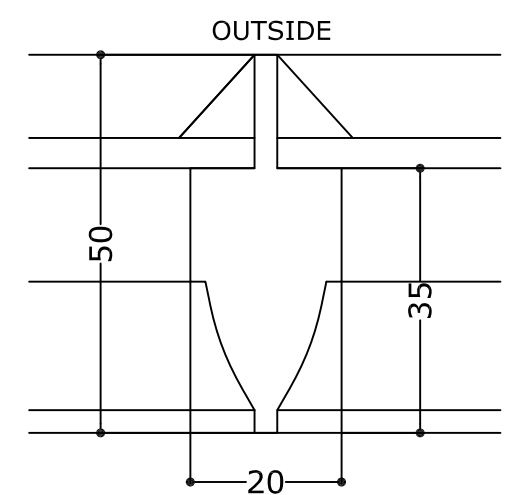
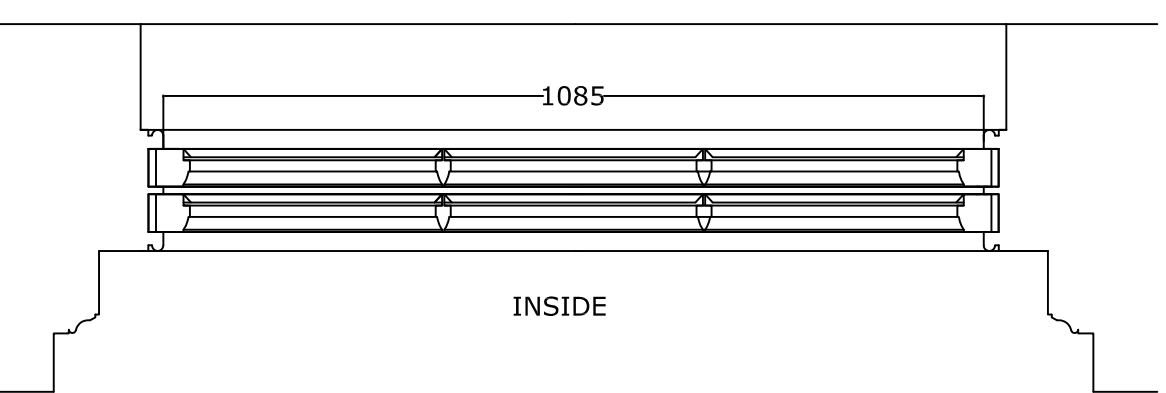
OUTSIDE

INSIDE

PLAN SECTION

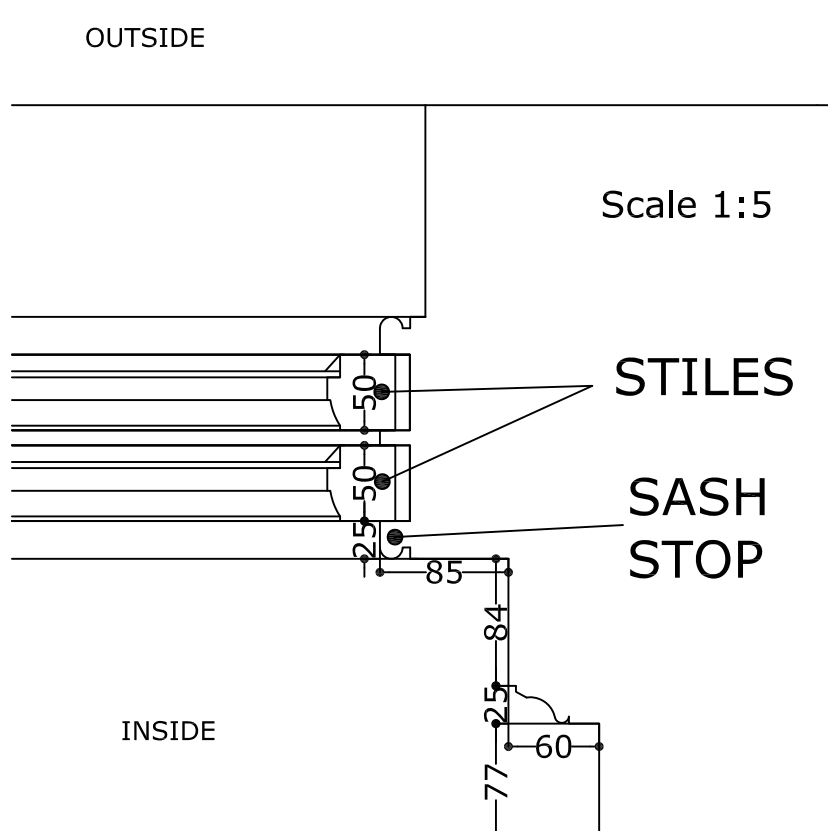
Scale 1:10

OUTSIDE



MUNTIN

Scale 1:1



Scale 1:5

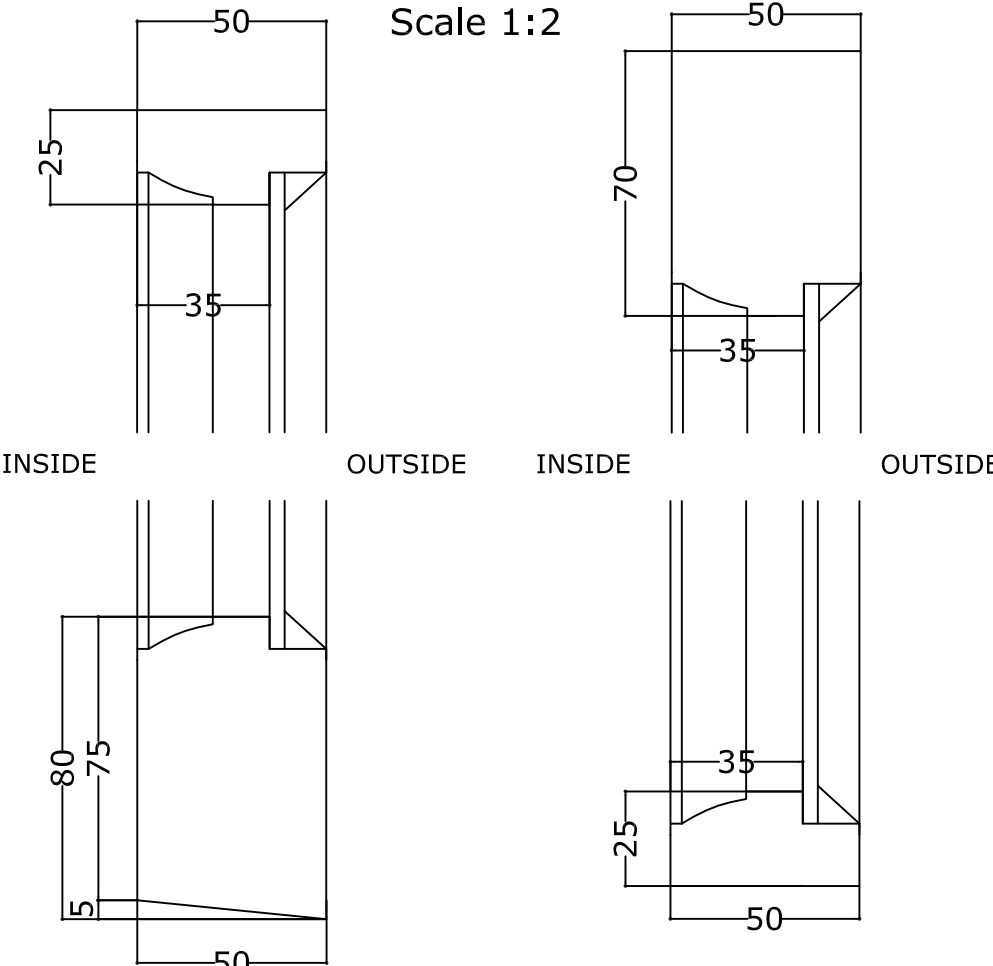
STILES

SASH STOP

INSIDE

LOWER WINDOW UPPER WINDOW

Scale 1:2



INSIDE

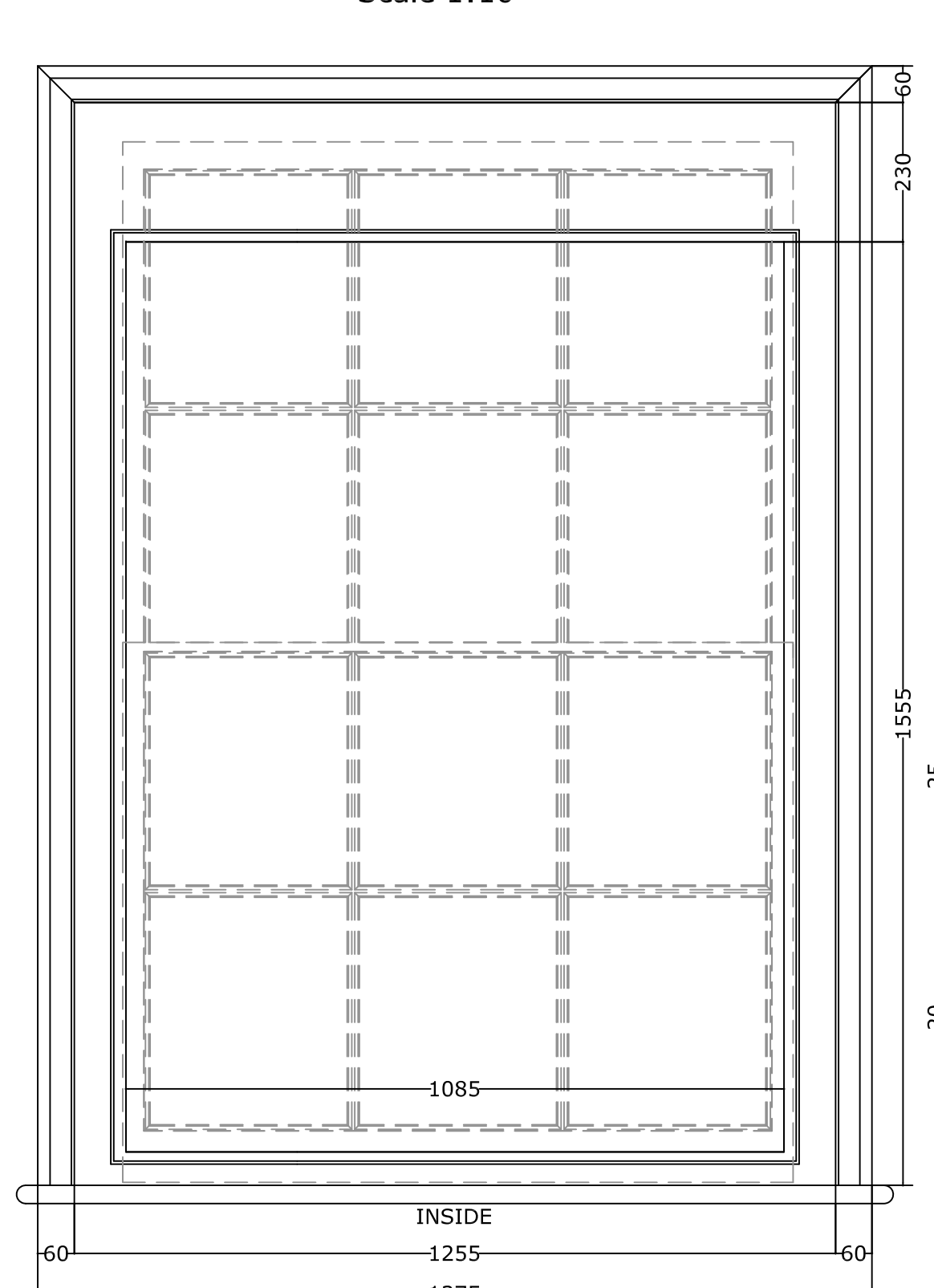
OUTSIDE

INSIDE

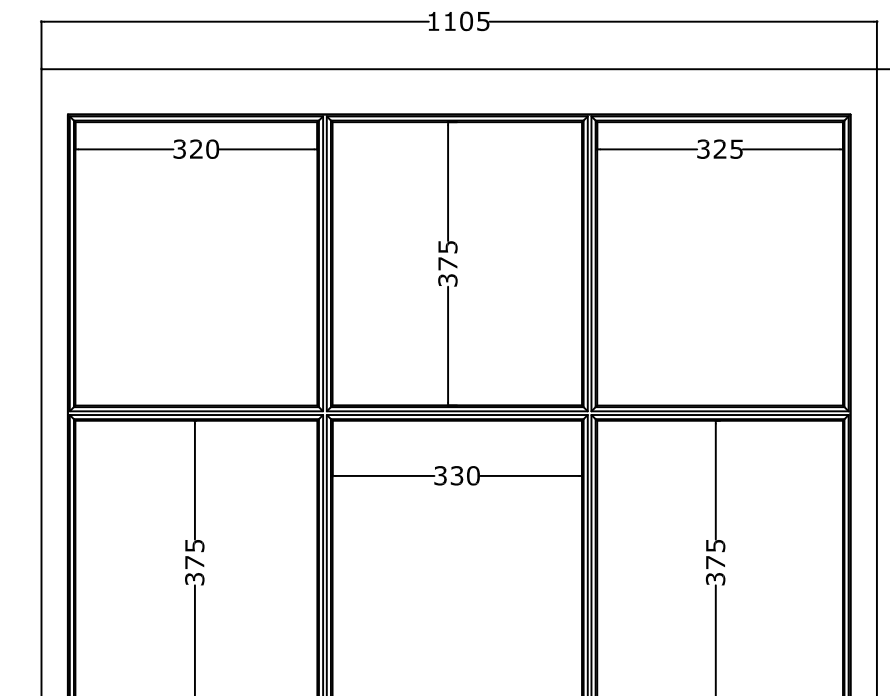
OUTSIDE

WINDOW	SIDE	FLOOR	TYPE
N.31	SOUTH	FIRST	SASH DOUBLE HUNG

INSIDE LININGS ELEVATION  
Scale 1:10

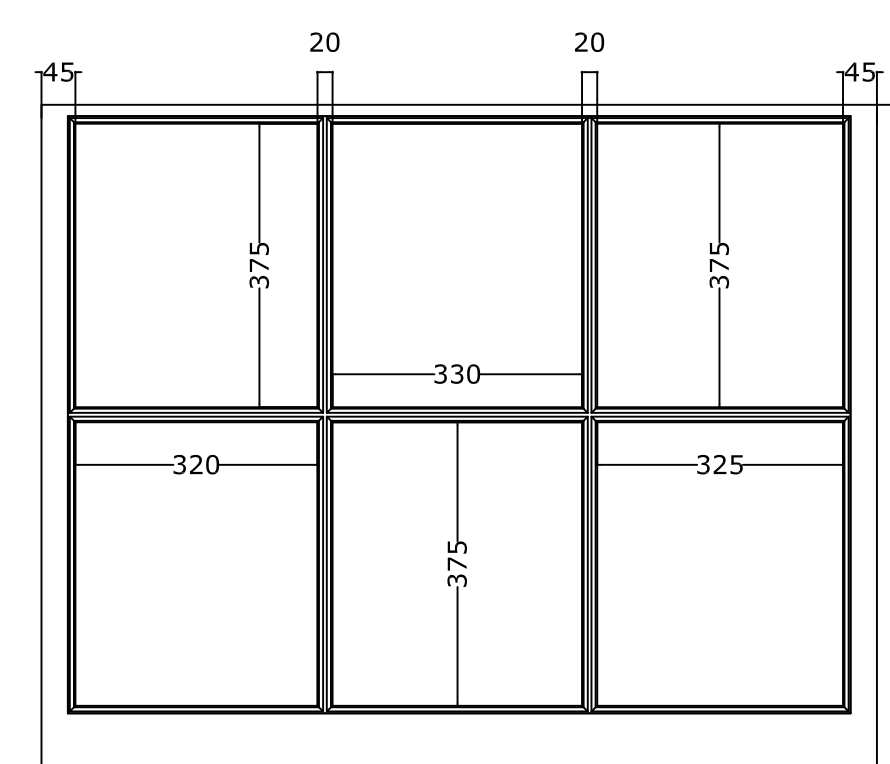


UPPER WINDOW  
Scale 1:10



INSIDE

Scale 1:10



LOWER WINDOW

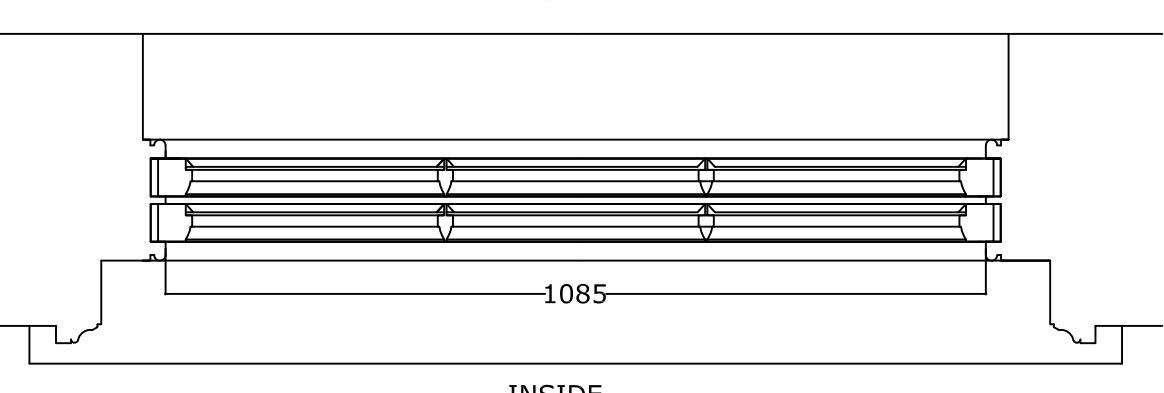
OUTSIDE

INSIDE

PLAN SECTION

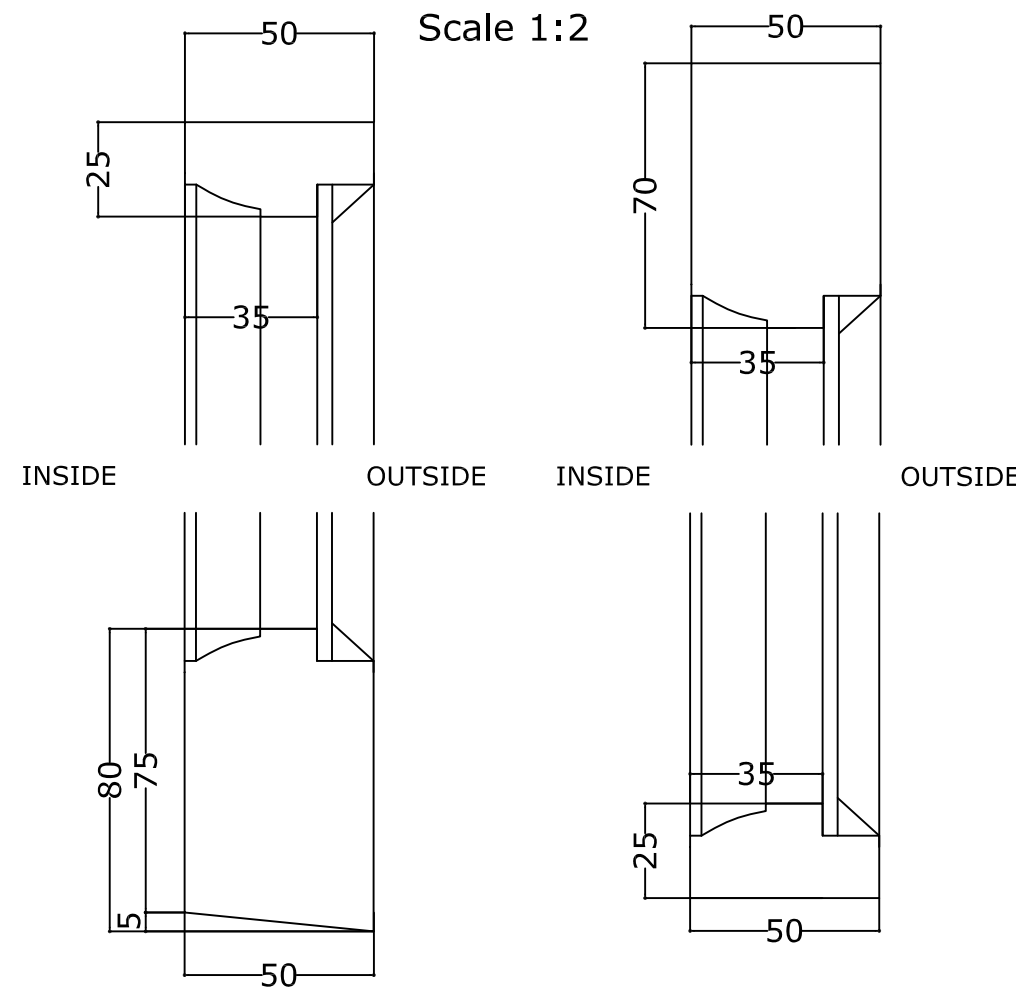
Scale 1:10

OUTSIDE



LOWER WINDOW UPPER WINDOW

Scale 1:2

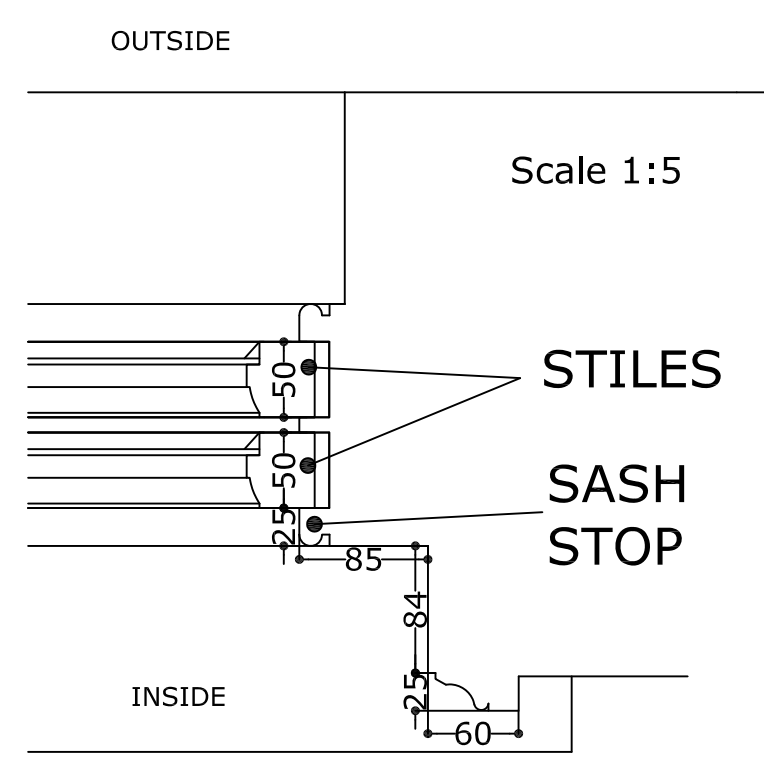


INSIDE

OUTSIDE

INSIDE

OUTSIDE



Scale 1:5

STILES

SASH STOP

INSIDE



W 30



W 31



GENERAL NOTES

All dimensions to be checked on site and any discrepancy to be notified to the supervising officer.  
No dimension to be scaled from the drawings for construction purposes unless otherwise indicated. All work is to comply with Building Regulations including amendments made in April 2002.  
The sole purpose of this drawing is the procurement of Planning Permission and Building Regulation approval and work is NOT to commence before such approvals.  
Where this drawing is used for the works full specifications should be agreed with the tenderer to include Heating, Plumbing & other services where required.  
Heating work or other appliances involving Gas should be carried out by a 'CORGI' approved contractor.



SOUTH ELEVATION

REVISION	DESCRIPTION	BY	DATE

**Saloria**  
CHARTERED ARCHITECTS  
Unit 26 Cygnus Business Centre, Dalmeyer Road NW10 2XA  
Tel.: +44 (020) 8451 7833 +44 (020) 8459 9600  
Fax: +44 (020) 8451 3370  
Email: l.vekaria@saloria.co.uk website: www.saloria.co.uk

PROJECT  
EXISTING WINDOWS - SURVEY -  
MAIN HOUSE AT OSHWAL CENTRE  
COOPERS LANE ROAD  
NORTHAW HEARTFORDSHIRE EN6 4DG

DRAWING TITLE  
**WINDOWS 30-31**

DATE **14.05.2015** DRAWN BY **DP**  
SCALE **VARIOUS@A1, VARIOUS-1/2@A3** CHECKED BY **LV**

DRAWING NO. **6842-64-P0** REVISION