

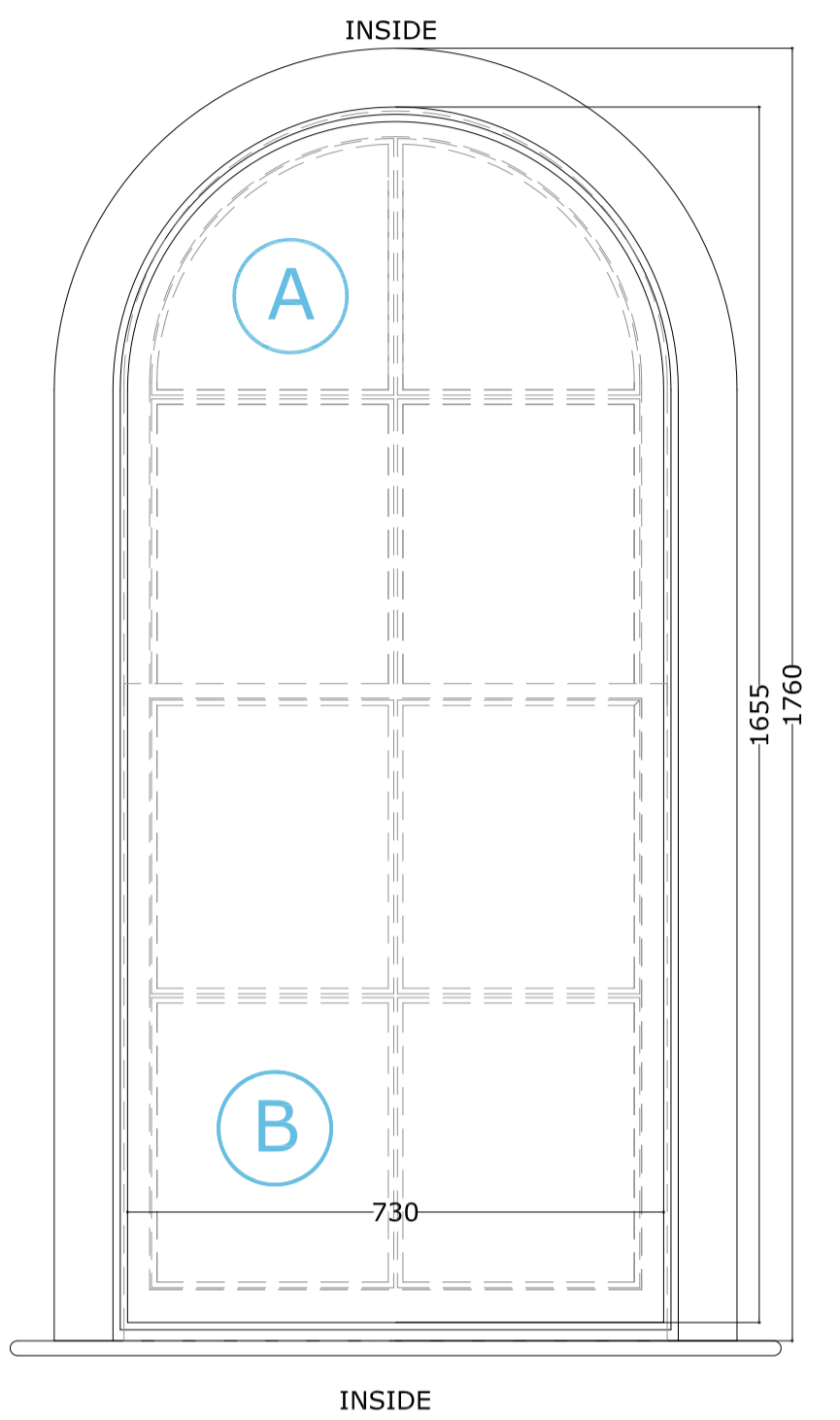
WINDOW	SIDE	FLOOR	TYPE
N.24/25/26	SOUTH	FIRST	SASH DOUBLE HUNG

WINDOW	SIDE	FLOOR	TYPE
N.27	SOUTH	FIRST	SASH DOUBLE HUNG

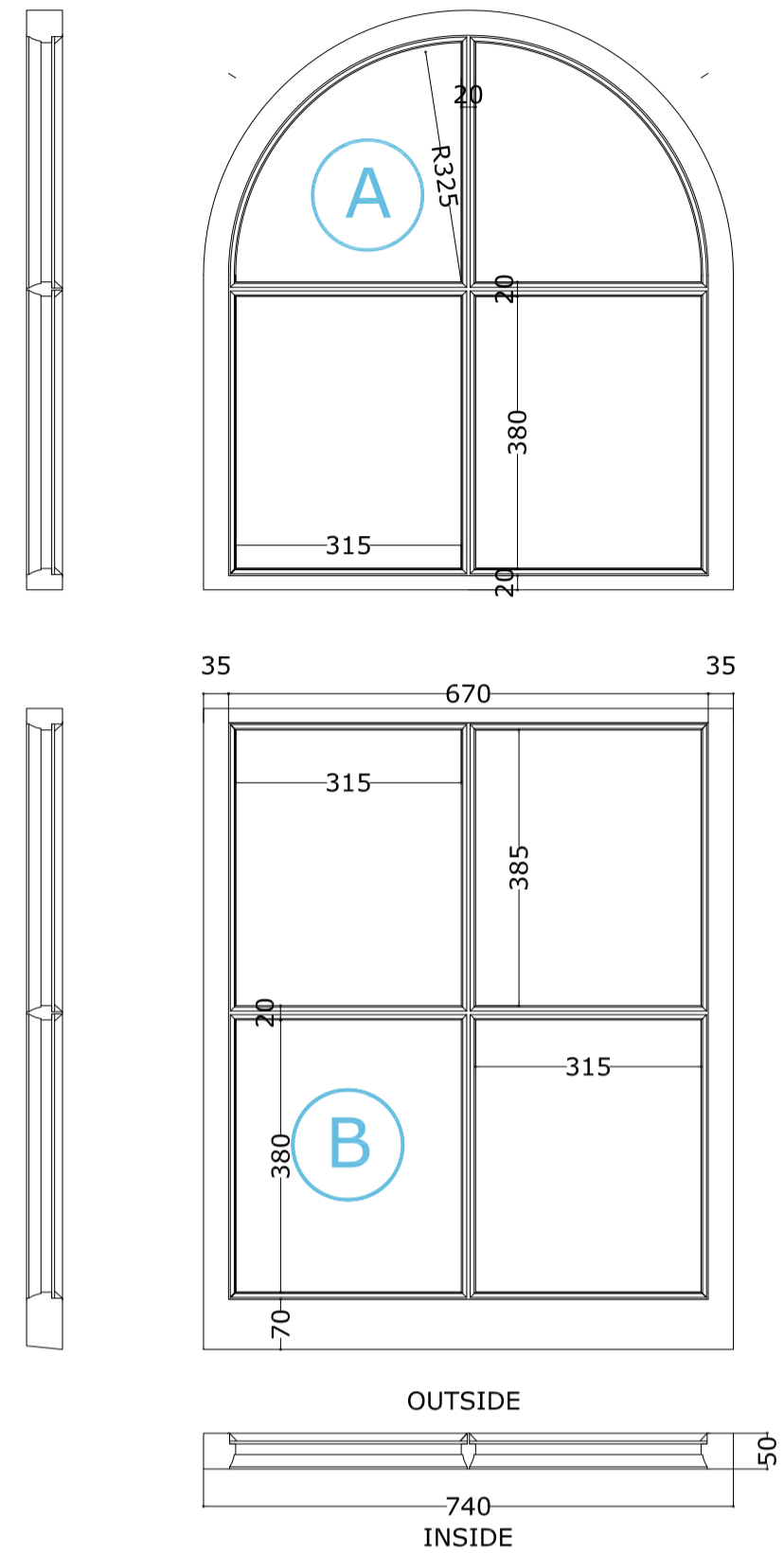
GENERAL NOTES

All dimensions to be checked on site and any discrepancy to be notified to the supervising officer.
 No dimension to be scaled from the drawings for construction purposes unless otherwise indicated. All work is to comply with Building Regulations including amendments made in April 2002.
 The sole purpose of this drawing is the procurement of Planning Permission and Building Regulation approval and work is NOT to commence before such approvals.
 Where this drawing is used for the works full specifications should be agreed with the tenderer to include Heating, Plumbing & other services where required.
 Heating work or other appliances involving Gas should be carried out by a 'CORGI' approved contractor.

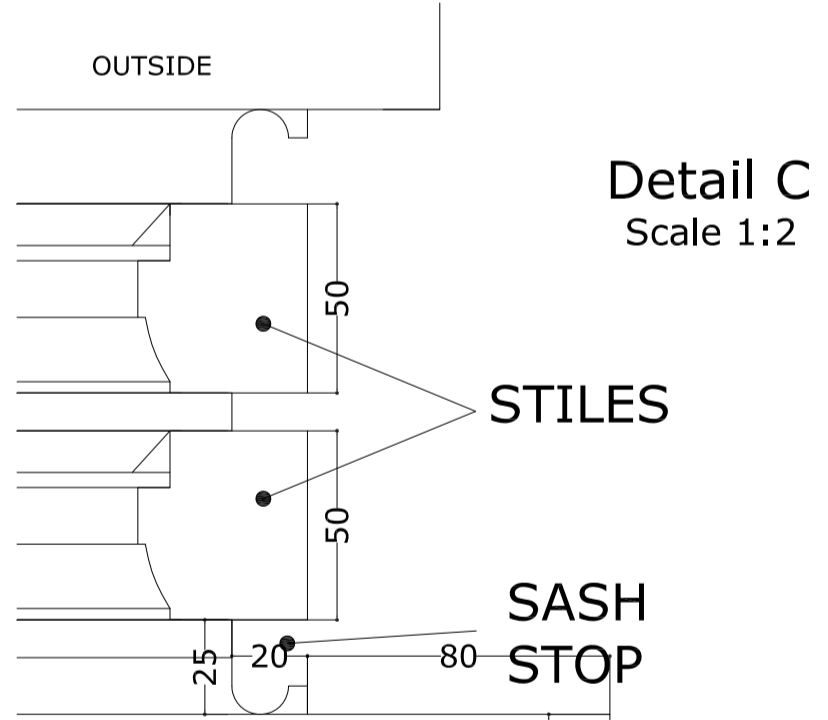
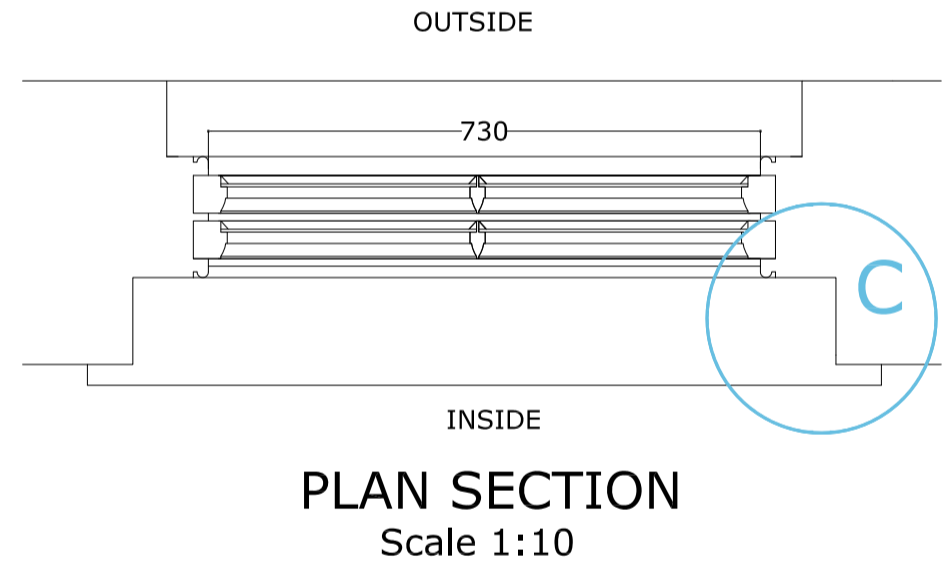
INSIDE LININGS ELEVATION
Scale 1:10



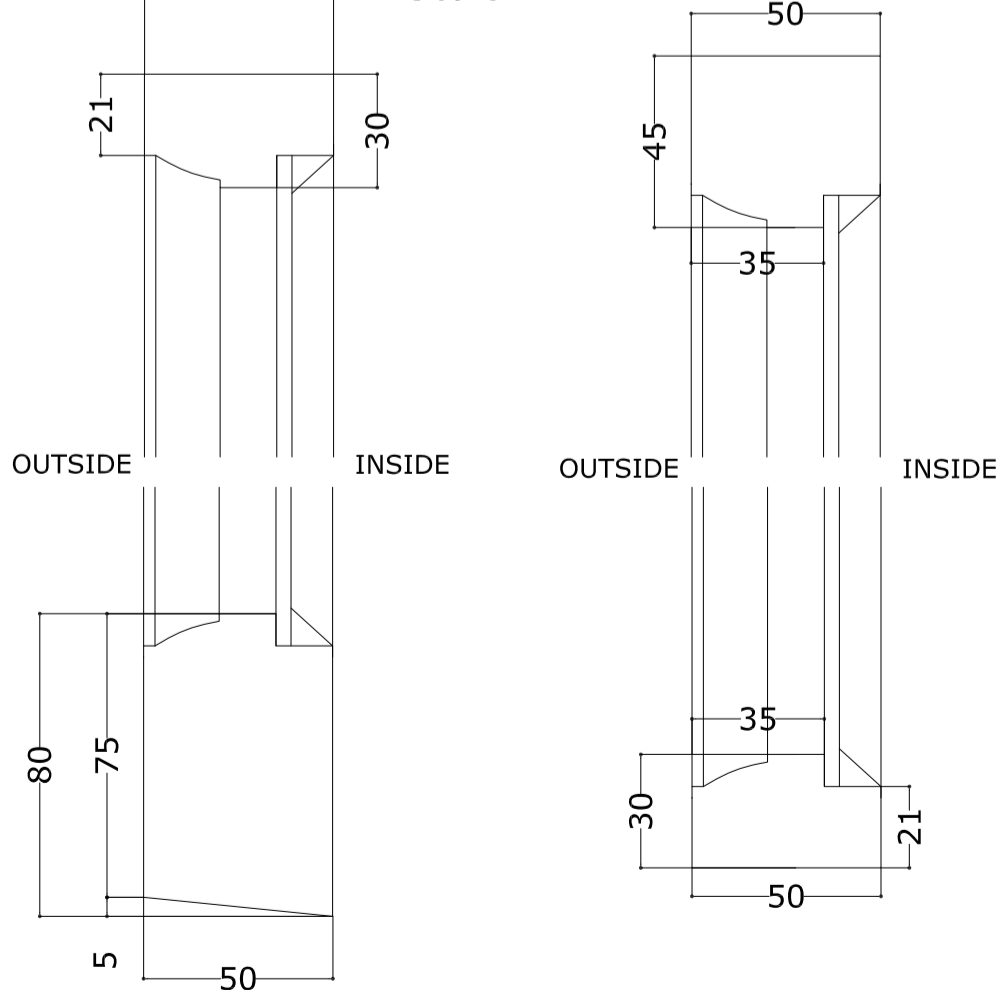
UPPER WINDOW
Scale 1:10



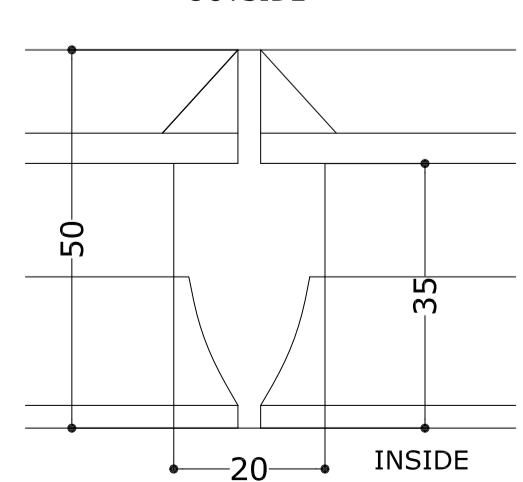
LOWER WINDOW
Scale 1:10



LOWER WINDOW UPPER WINDOW
Scale 1:2



MUNTIN
Scale 1:1



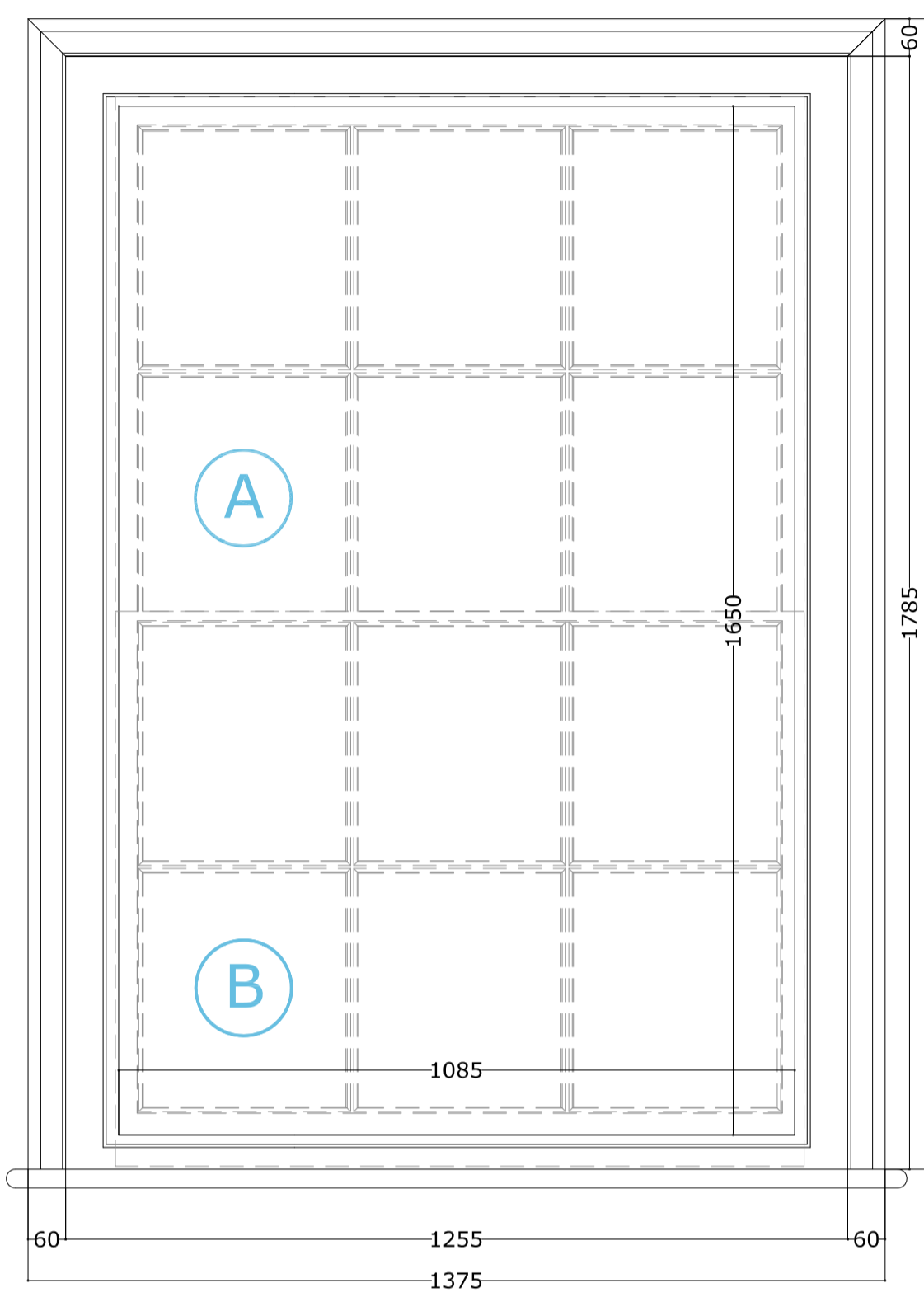
W 24/25/26



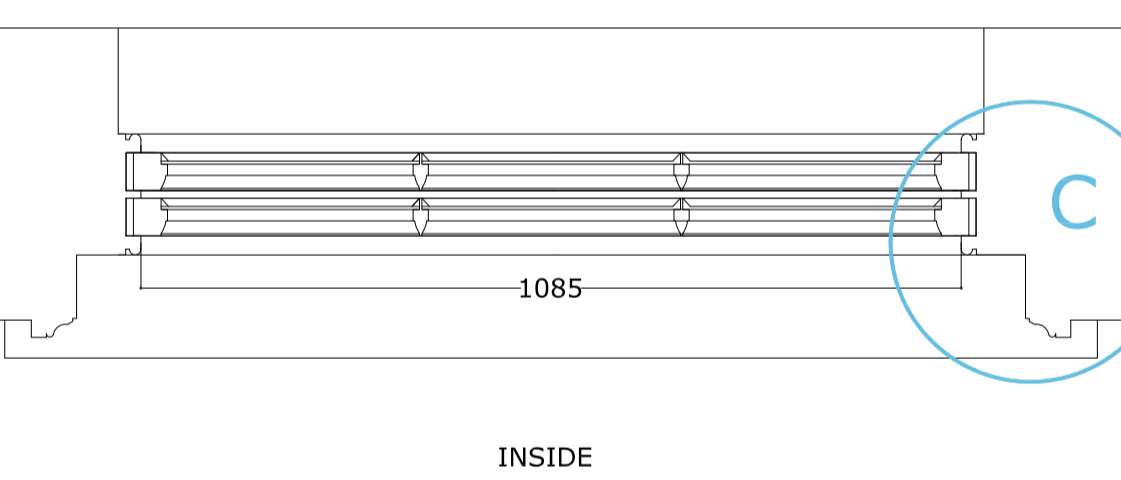
W 27



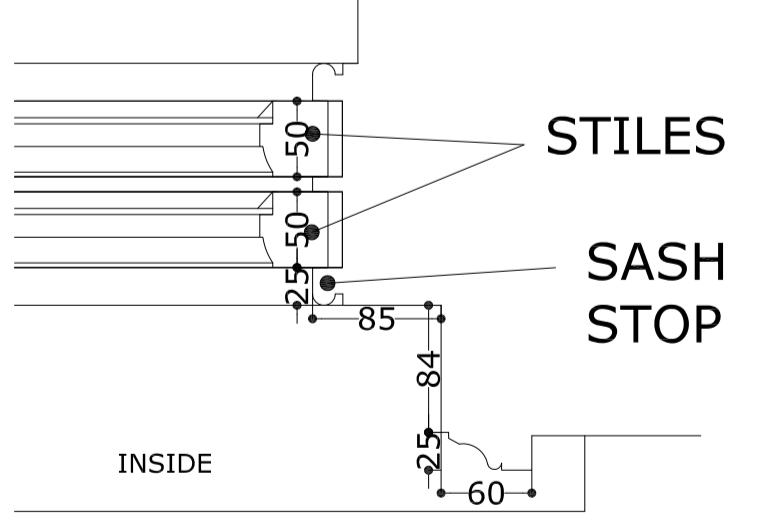
INSIDE LININGS ELEVATION
Scale 1:10



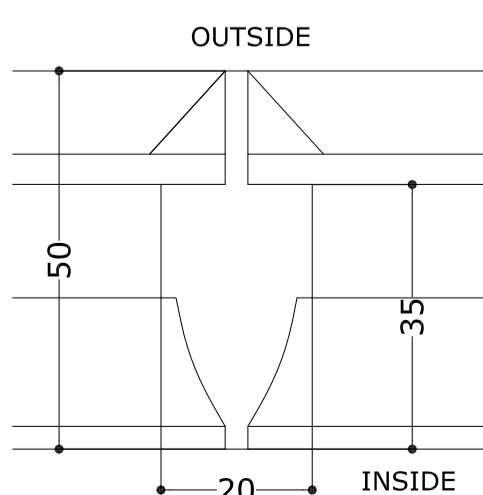
PLAN SECTION
Scale 1:10



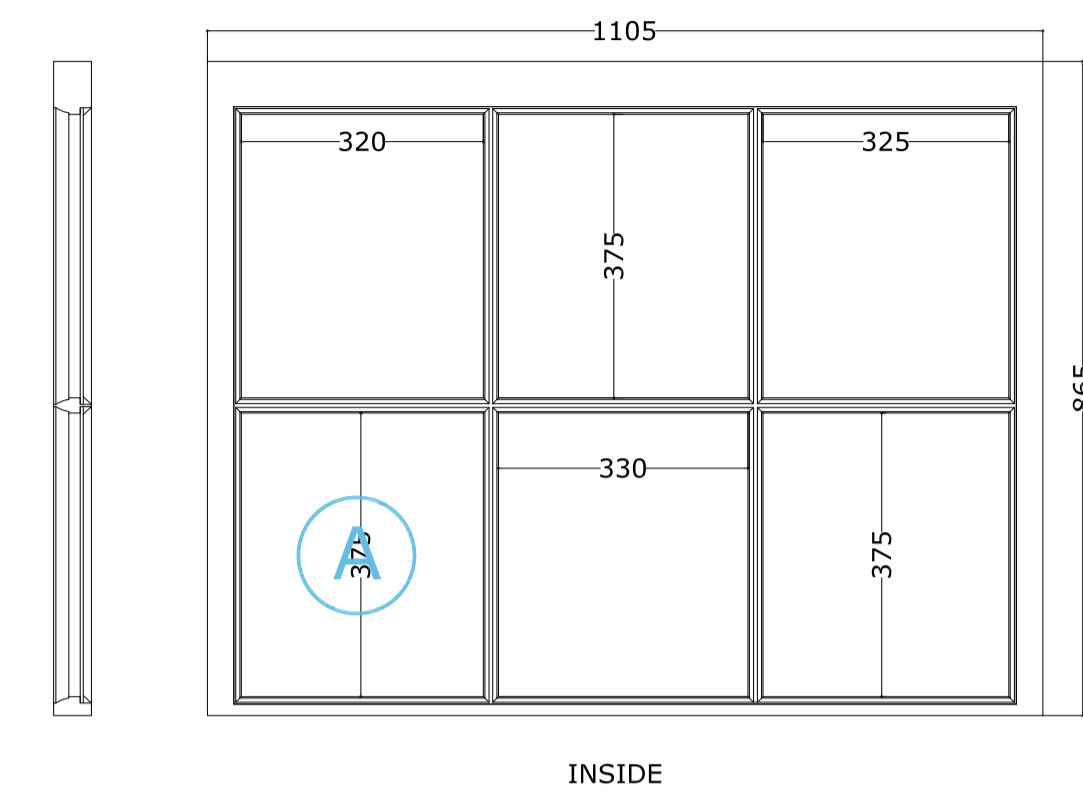
Detail C
Scale 1:5



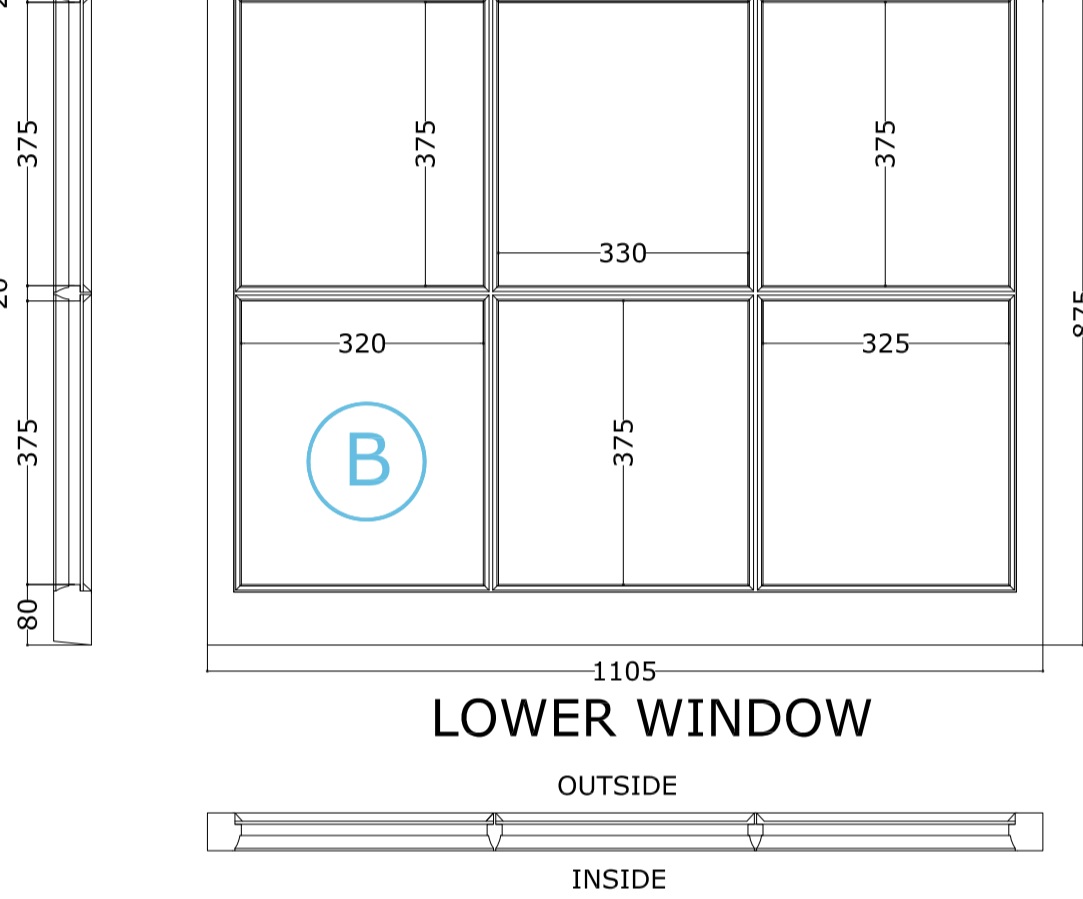
MUNTIN
Scale 1:1



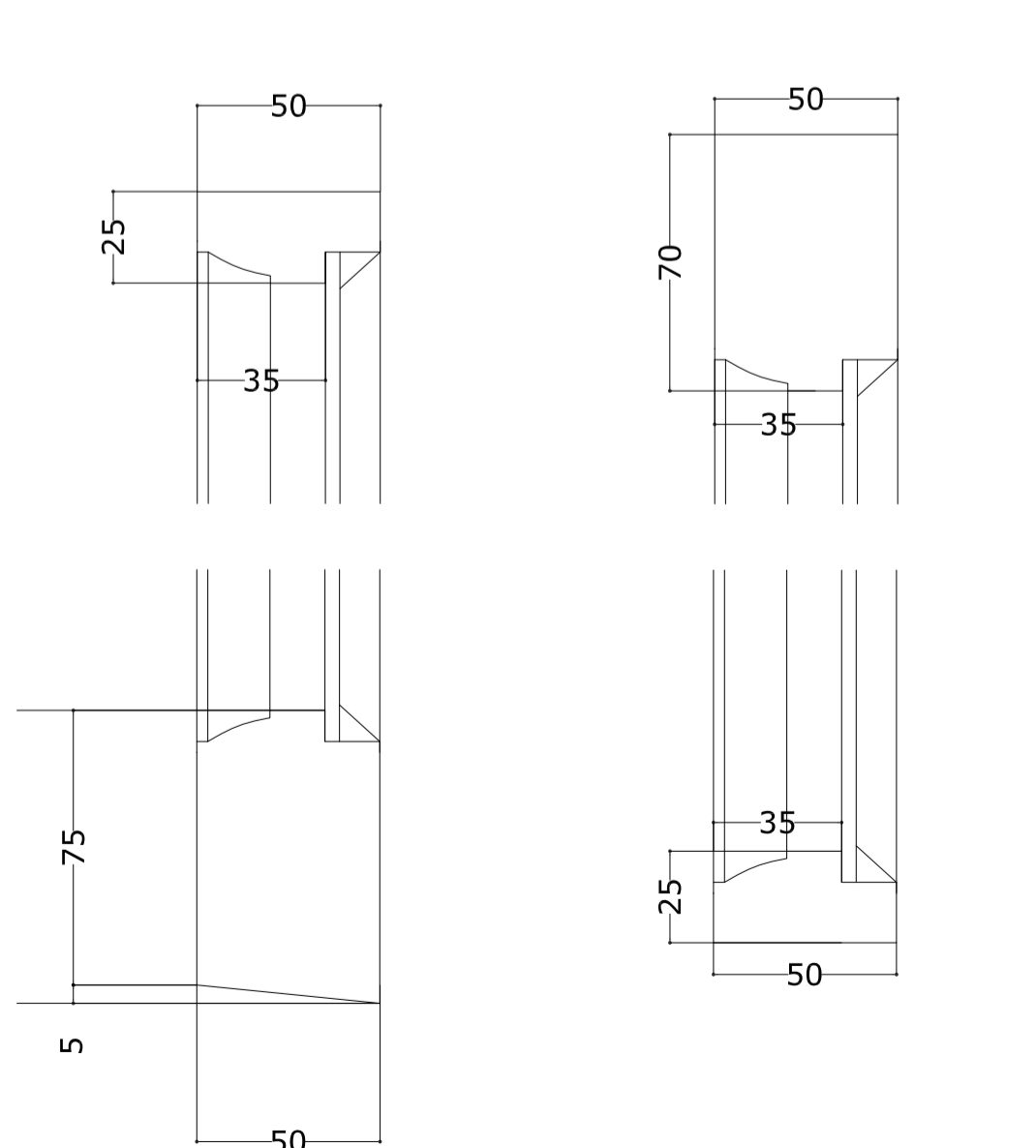
UPPER WINDOW
Scale 1:10



LOWER WINDOW
Scale 1:10



LOWER WINDOW UPPER WINDOW
Scale 1:2



EAST ELEVATION

REVISION	DESCRIPTION	BY	DATE

Saloria
 CHARTERED ARCHITECTS
 Unit 26 Cygnus Business Centre, Dalmeyer Road NW10 2XA
 Tel.: +44 (020) 8451 7833 +44 (020) 8459 9600
 Fax: +44 (020) 8451 3370
 Email: l.vekaria@saloria.co.uk website: www.saloria.co.uk

PROJECT
 EXISTING WINDOWS - SURVEY -
 MAIN HOUSE AT OSHWAL CENTRE
 COOPERS LANE ROAD
 NORTHAW HEARTFORDSHIRE EN6 4DG

DRAWING TITLE
 WINDOWS 24-25-26-27

DATE 15.05.2015 **DRAWN BY** DP
SCALE VARIOUS@A1, VARIOUS-1/2@A3 **CHECKED BY** LV

DRAWING NO. 6842-62-P0 **REVISION**