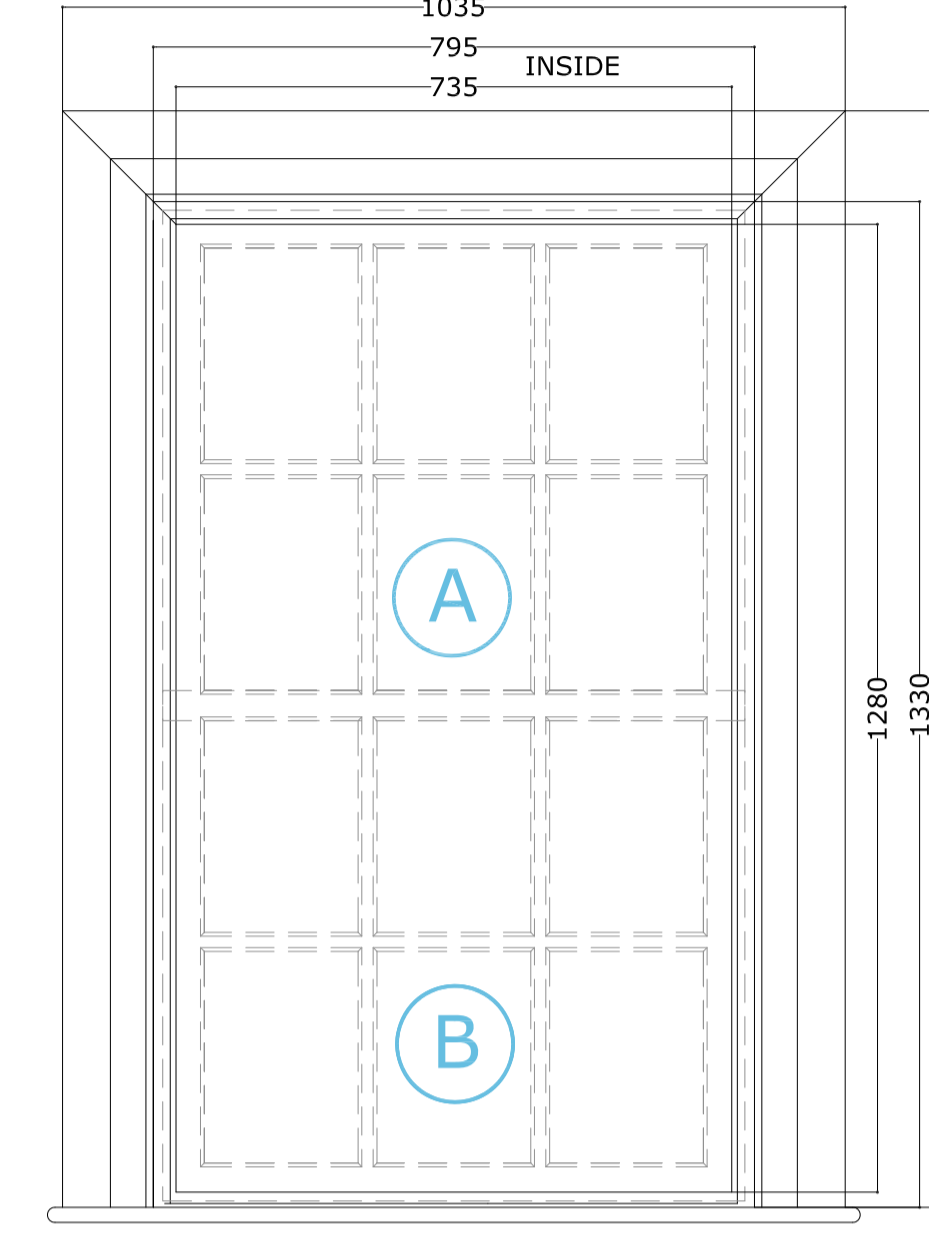
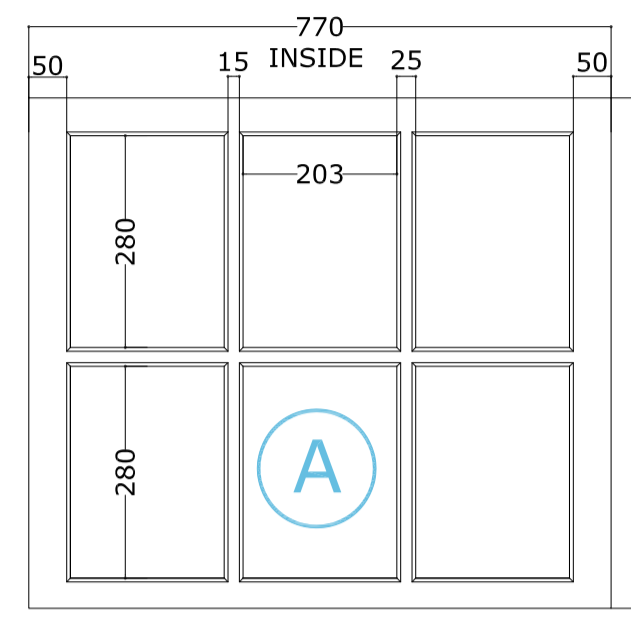


WINDOW	SIDE	FLOOR	TYPE
N.11B	N ORTH	GROUND	SASH DOUBLE HUNG

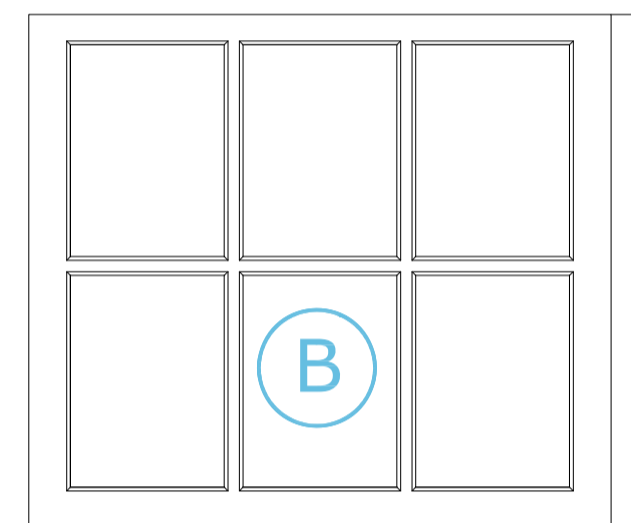
INSIDE LININGS ELEVATION
Scale 1:10



WINDOWS
Scale 1:10



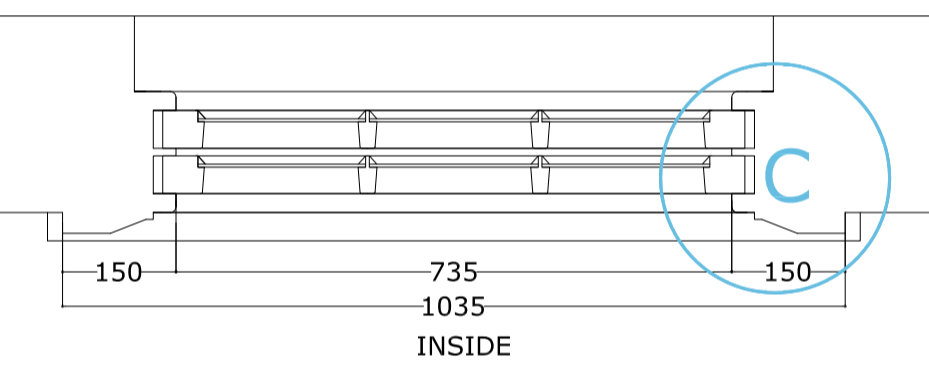
UPPER WINDOW



LOWER WINDOW

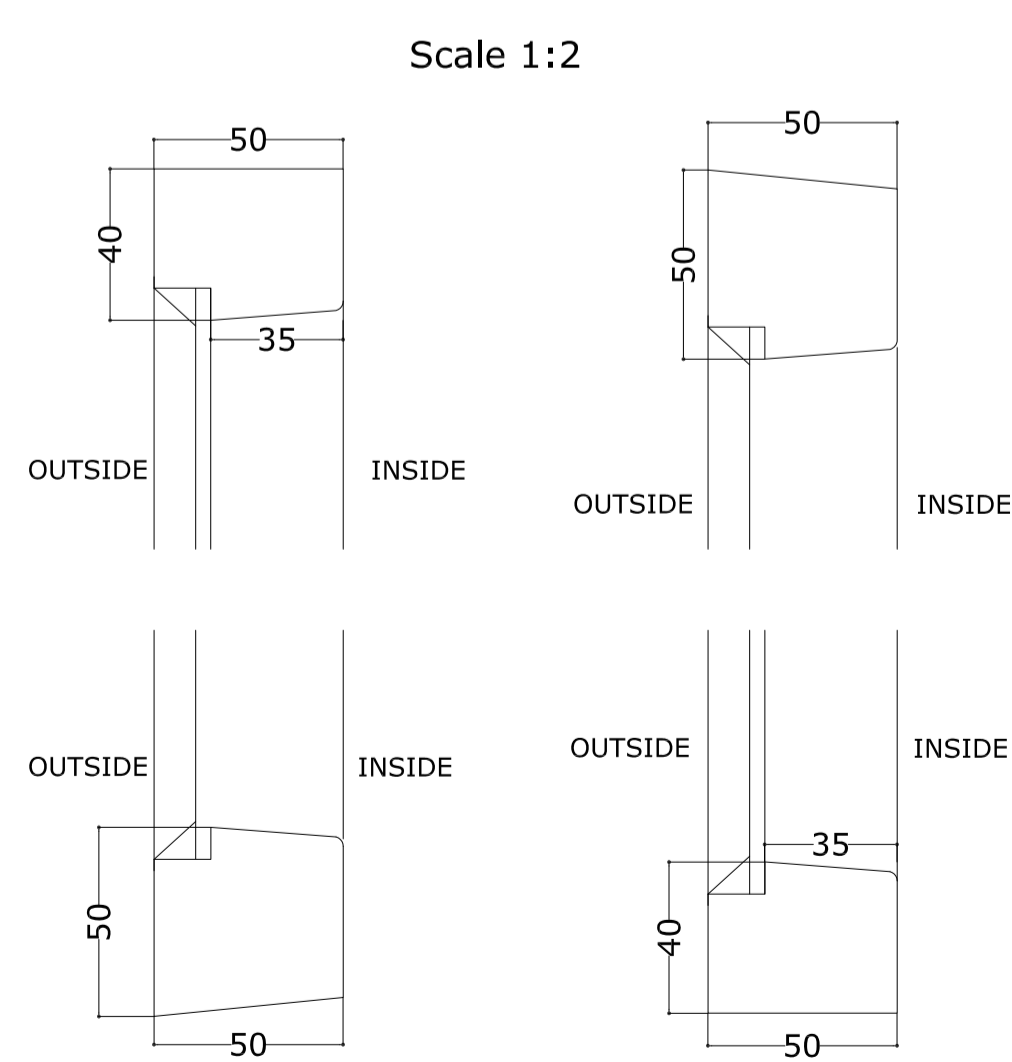


OUTSIDE

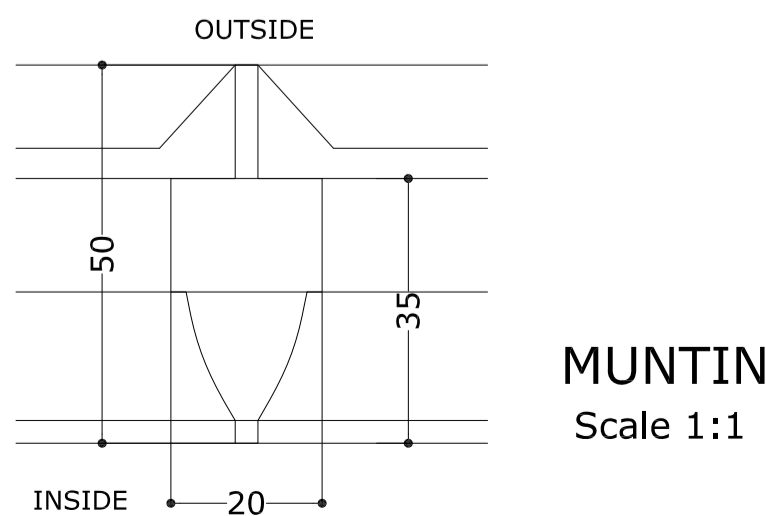
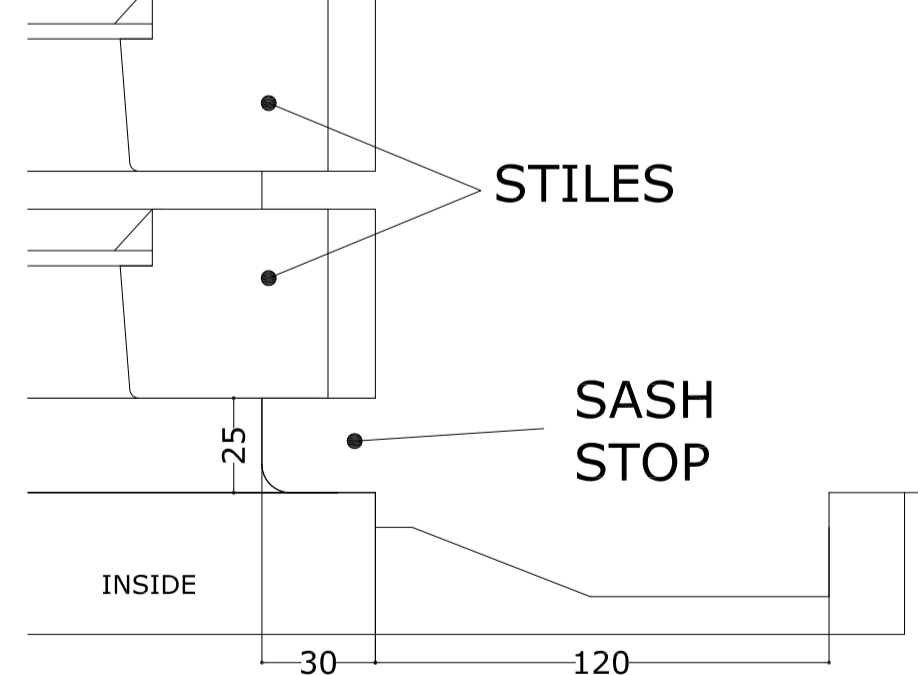


PLAN SECTION
Scale 1:10

LOWER WINDOW UPPER WINDOW
Scale 1:2



OUTSIDE
Detail C
Scale 1:2



MUNTIN
Scale 1:1

W 11B

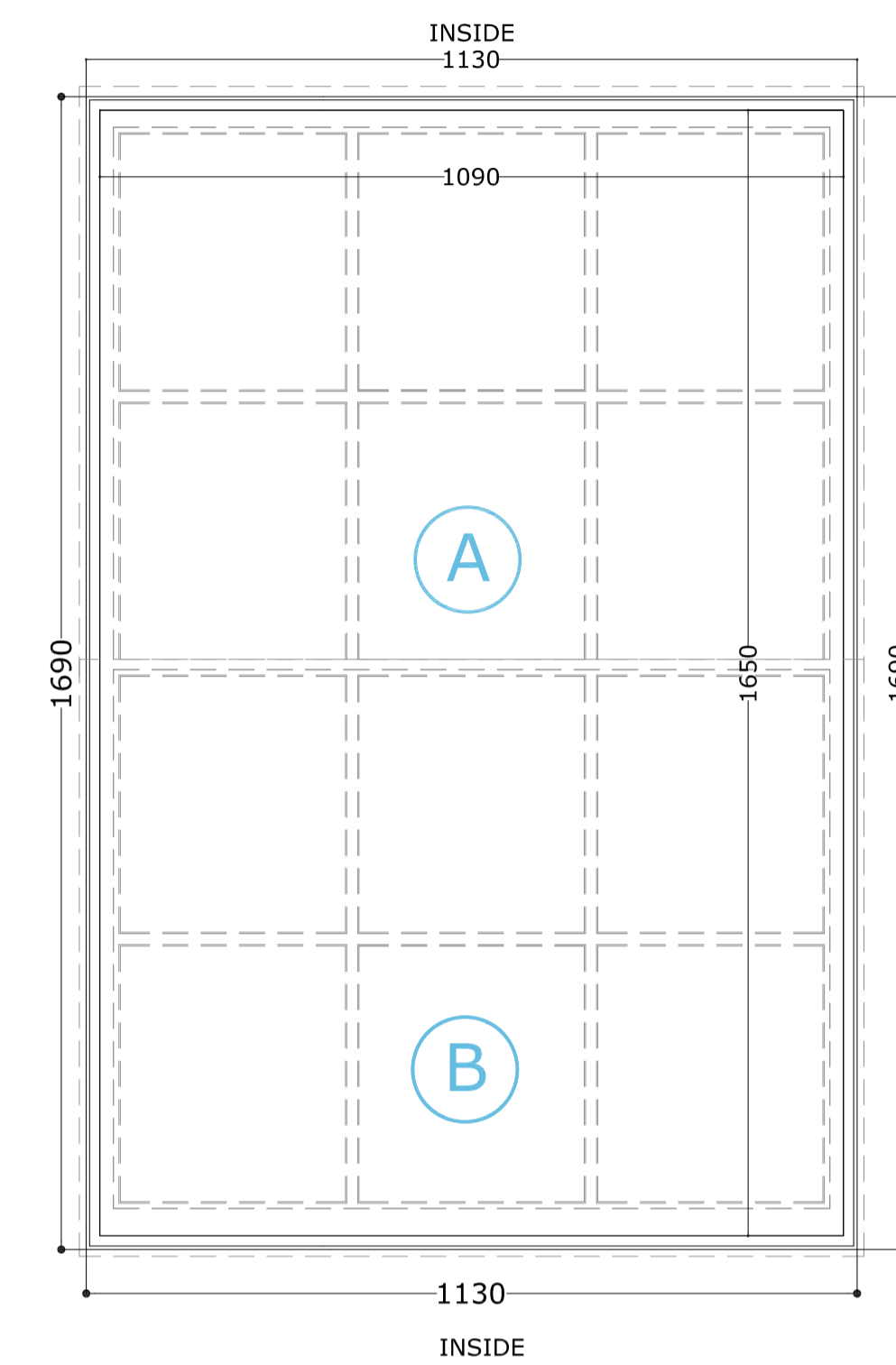


W 11C

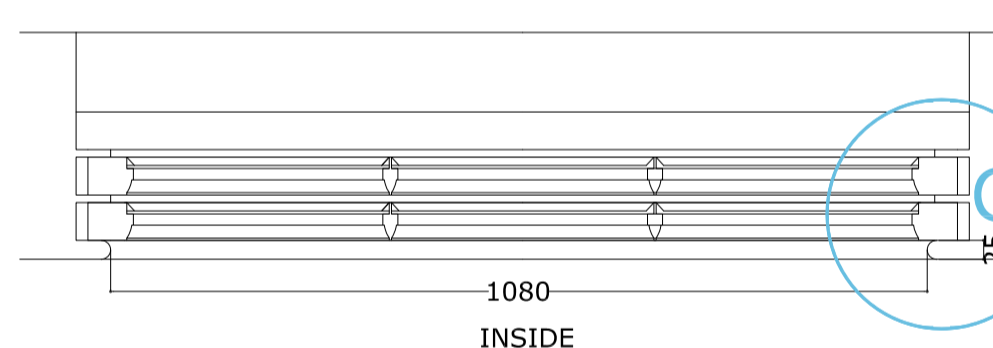


WINDOW	SIDE	FLOOR	TYPE
N.11C	NORTH	GROUND	SASH DOUBLE HUNG

INSIDE LININGS ELEVATION
Scale 1:10

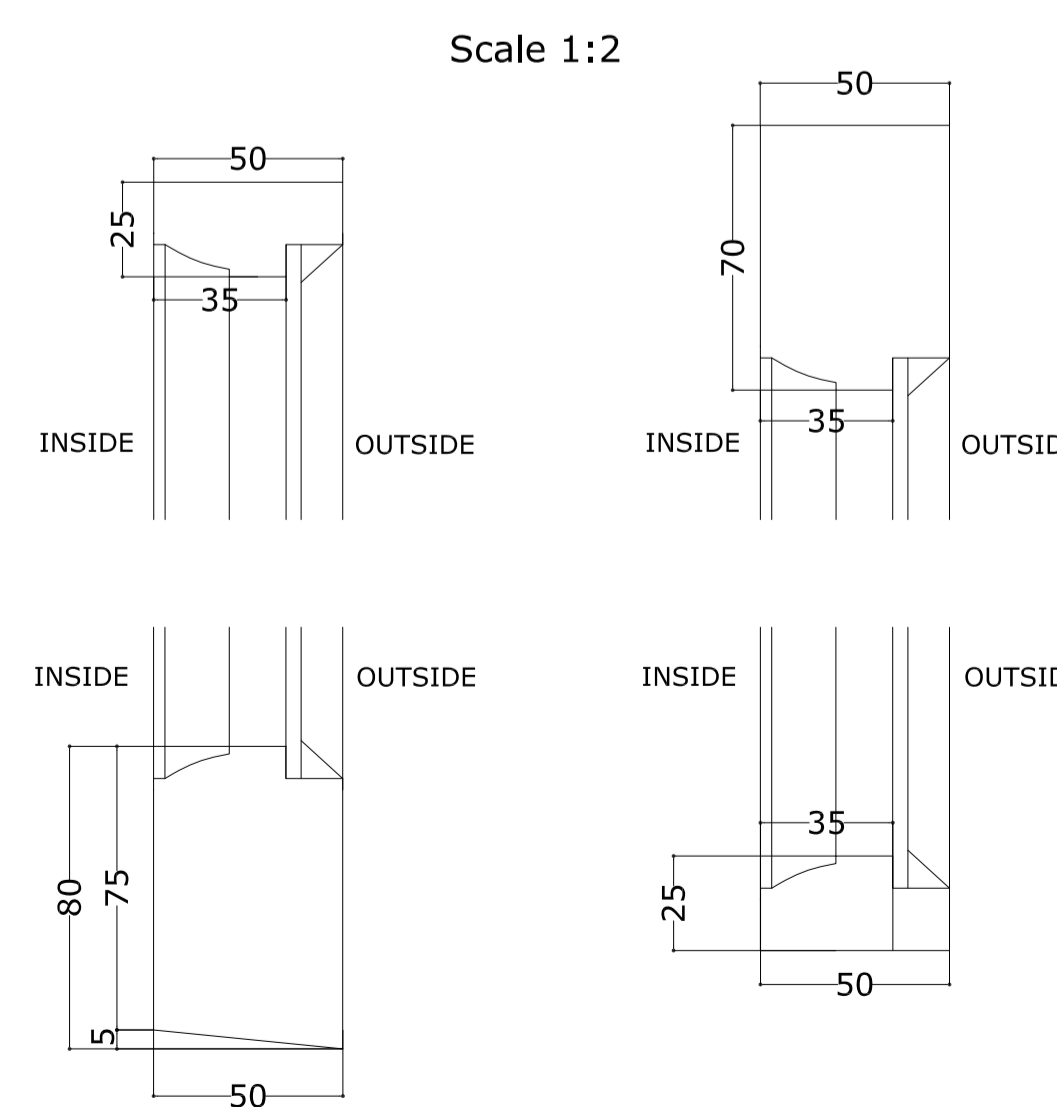


OUTSIDE

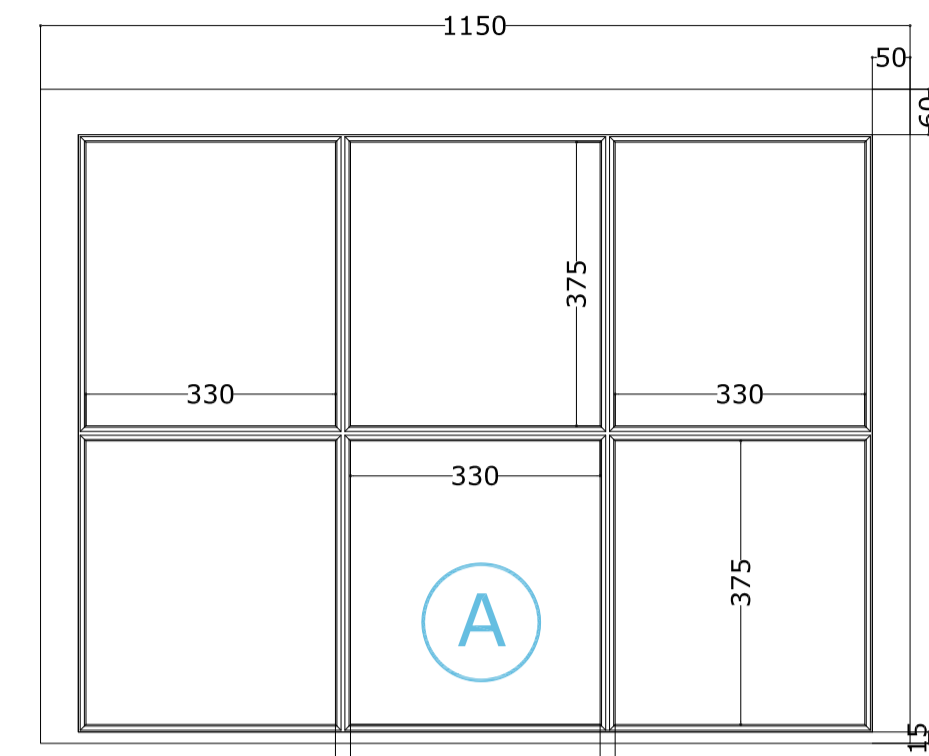


PLAN SECTION
Scale 1:10

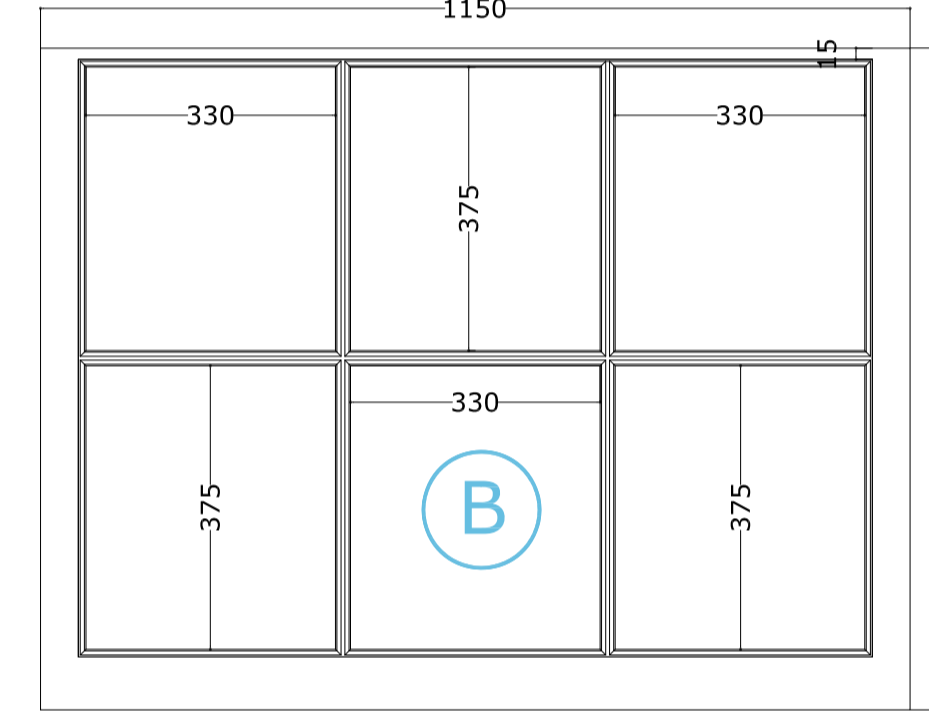
LOWER WINDOW UPPER WINDOW
Scale 1:2



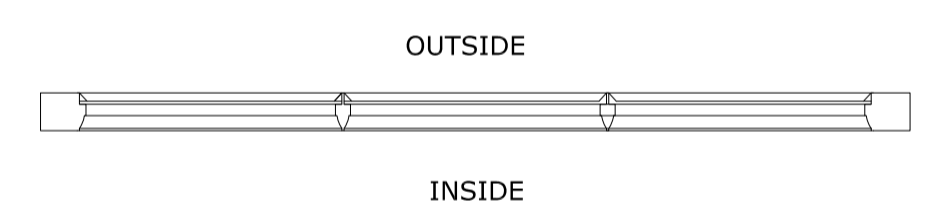
WINDOWS
Scale 1:10



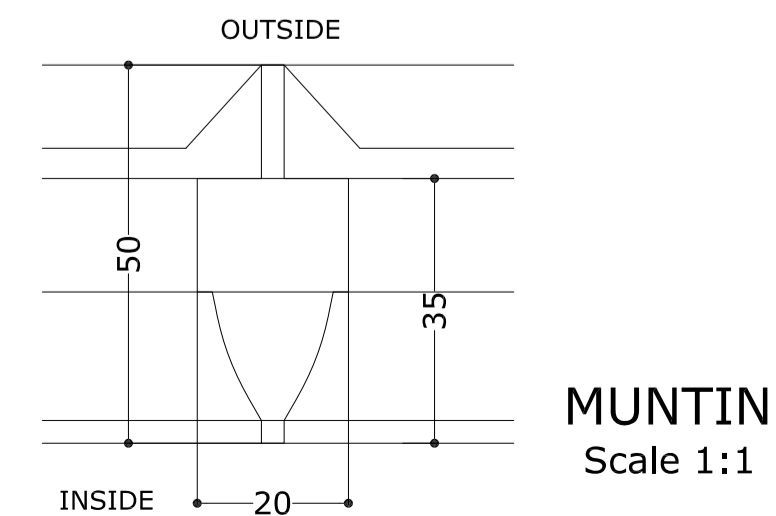
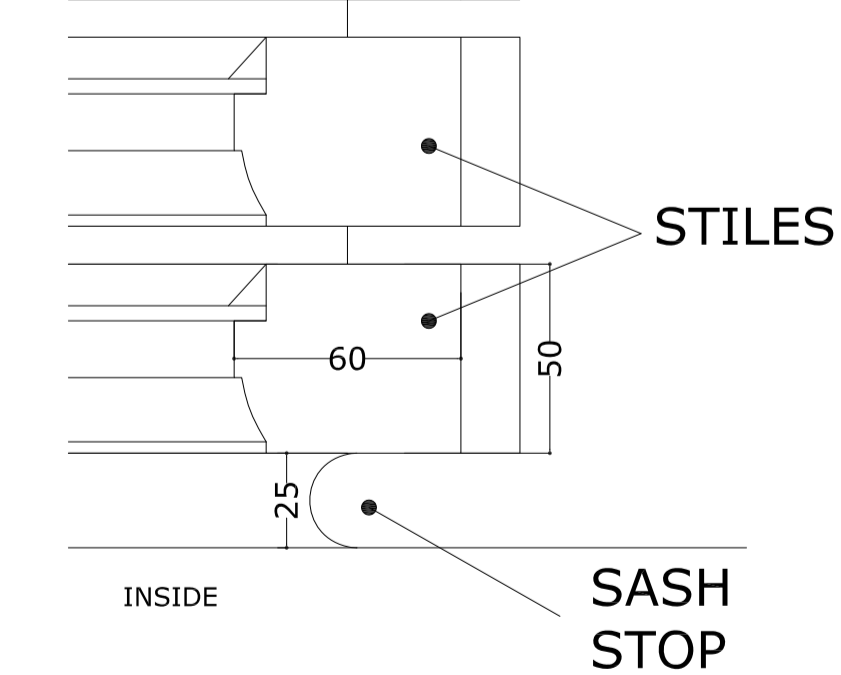
UPPER WINDOW



LOWER WINDOW



OUTSIDE
Detail C
Scale 1:2



MUNTIN
Scale 1:1

GENERAL NOTES

All dimensions to be checked on site and any discrepancy to be notified to the supervising officer.
No dimension to be scaled from the drawings for construction purposes unless otherwise indicated. All work is to comply with Building Regulations including amendments made in April 2002.
The sole purpose of this drawing is the procurement of Planning Permission and Building Regulation approval and work is NOT to commence before such approvals.
Where this drawing is used for the works full specifications should be agreed with the tenderer to include Heating, Plumbing & other services where required.
Heating work or other appliances involving Gas should be carried out by a 'CORGI' approved contractor.



EAST ELEVATION

REVISION	DESCRIPTION	BY	DATE

Saloria
CHARTERED ARCHITECTS
Unit 26 Cygnus Business Centre, Dalmeyer Road NW10 2XA
Tel.: +44 (020) 8451 7833 +44 (020) 8459 9600
Fax: +44 (020) 8451 3370
Email: l.vekaria@saloria.co.uk website: www.saloria.co.uk

PROJECT
EXISTING WINDOWS - SURVEY -
MAIN HOUSE AT OSHWAL CENTRE
COOPERS LANE ROAD
NORTHAW HEARTFORDSHIRE EN6 4DG

DRAWING TITLE
WINDOWS 11B-11C

DATE 15.05.2015 DRAWN BY DP
SCALE VARIOUS@A1, VARIOUS-1/2@A3 CHECKED BY LV

DRAWING NO. 6842-56-P0 REVISION