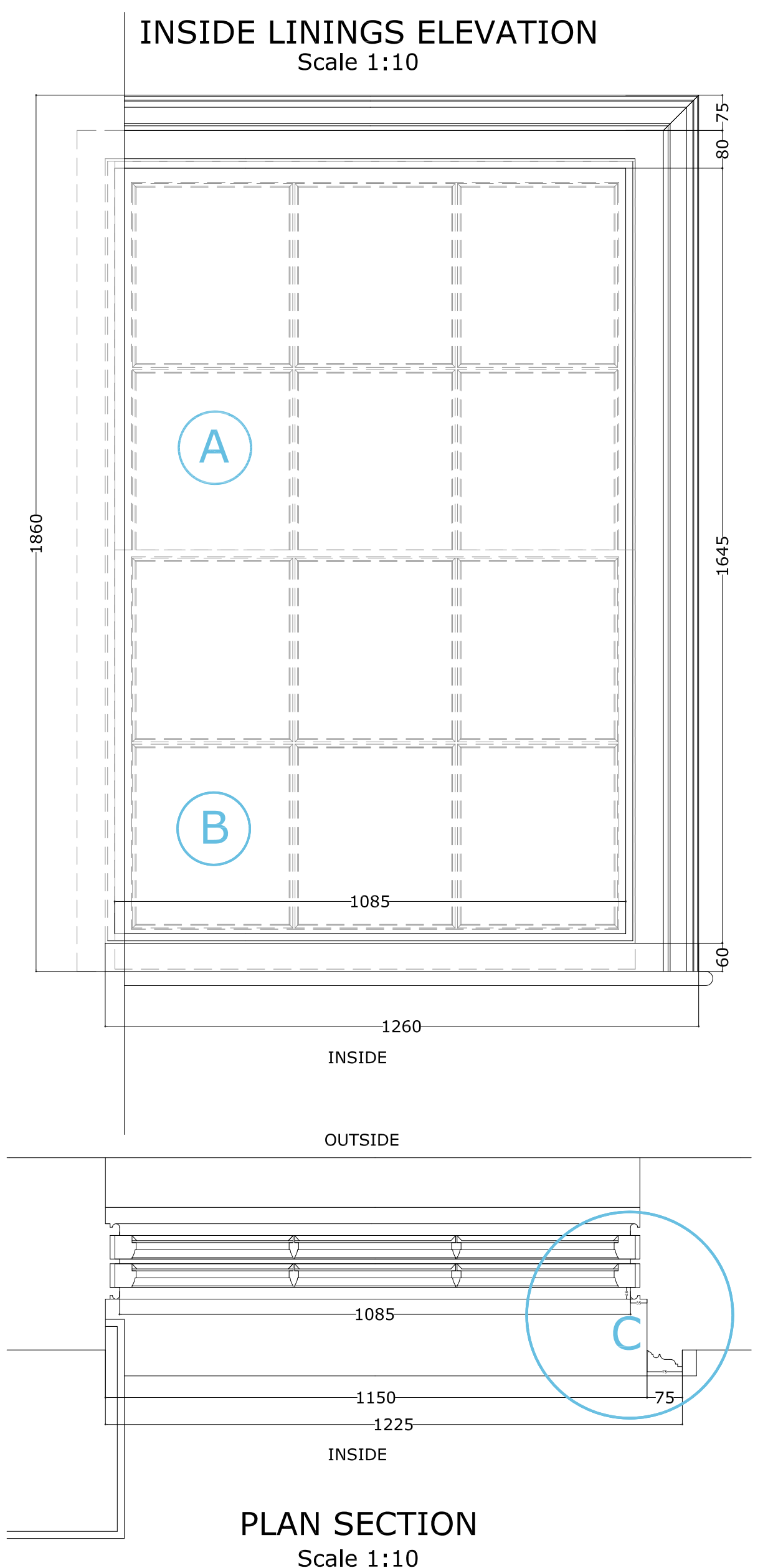


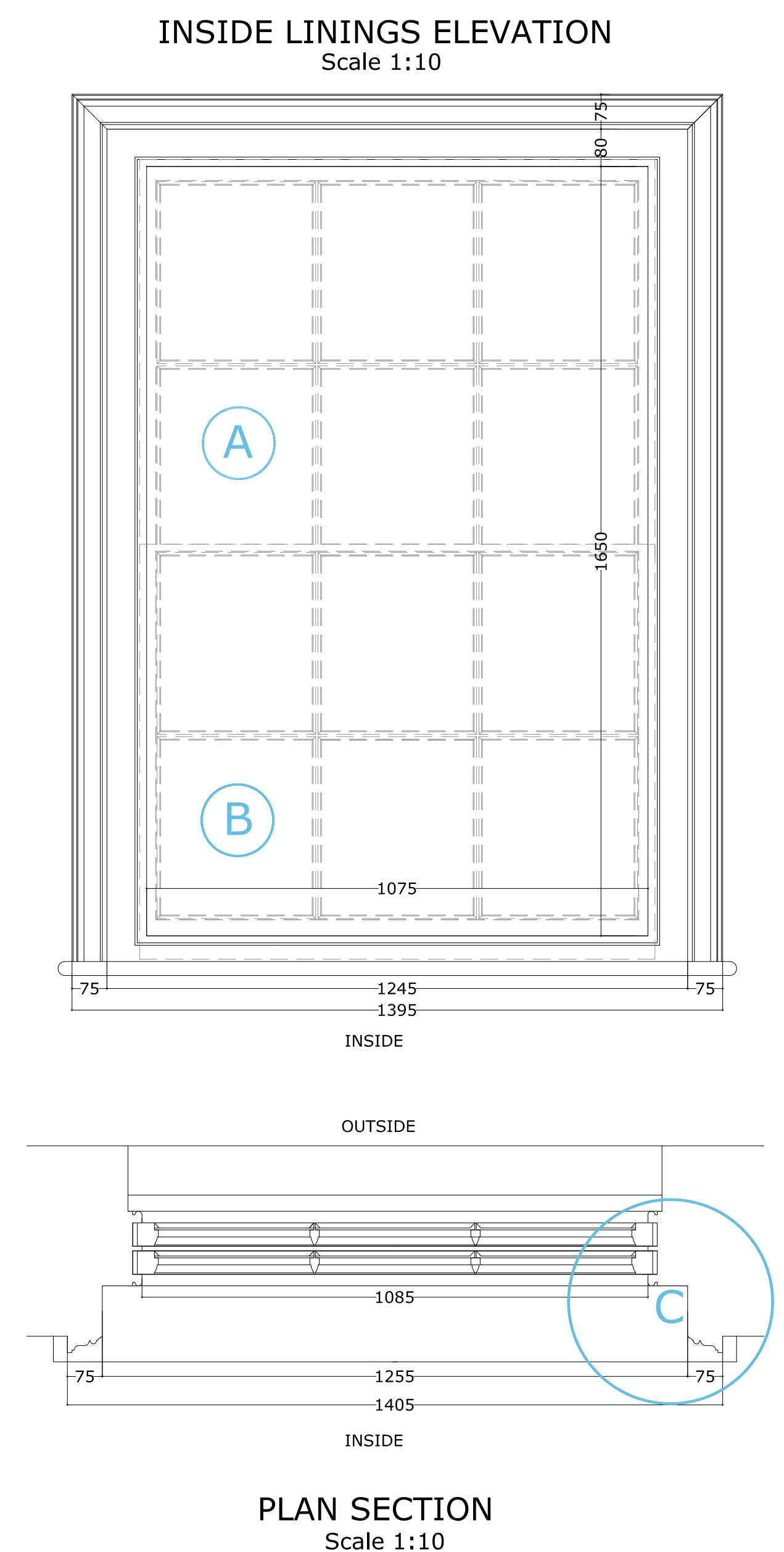
N.07 N.08 N.09



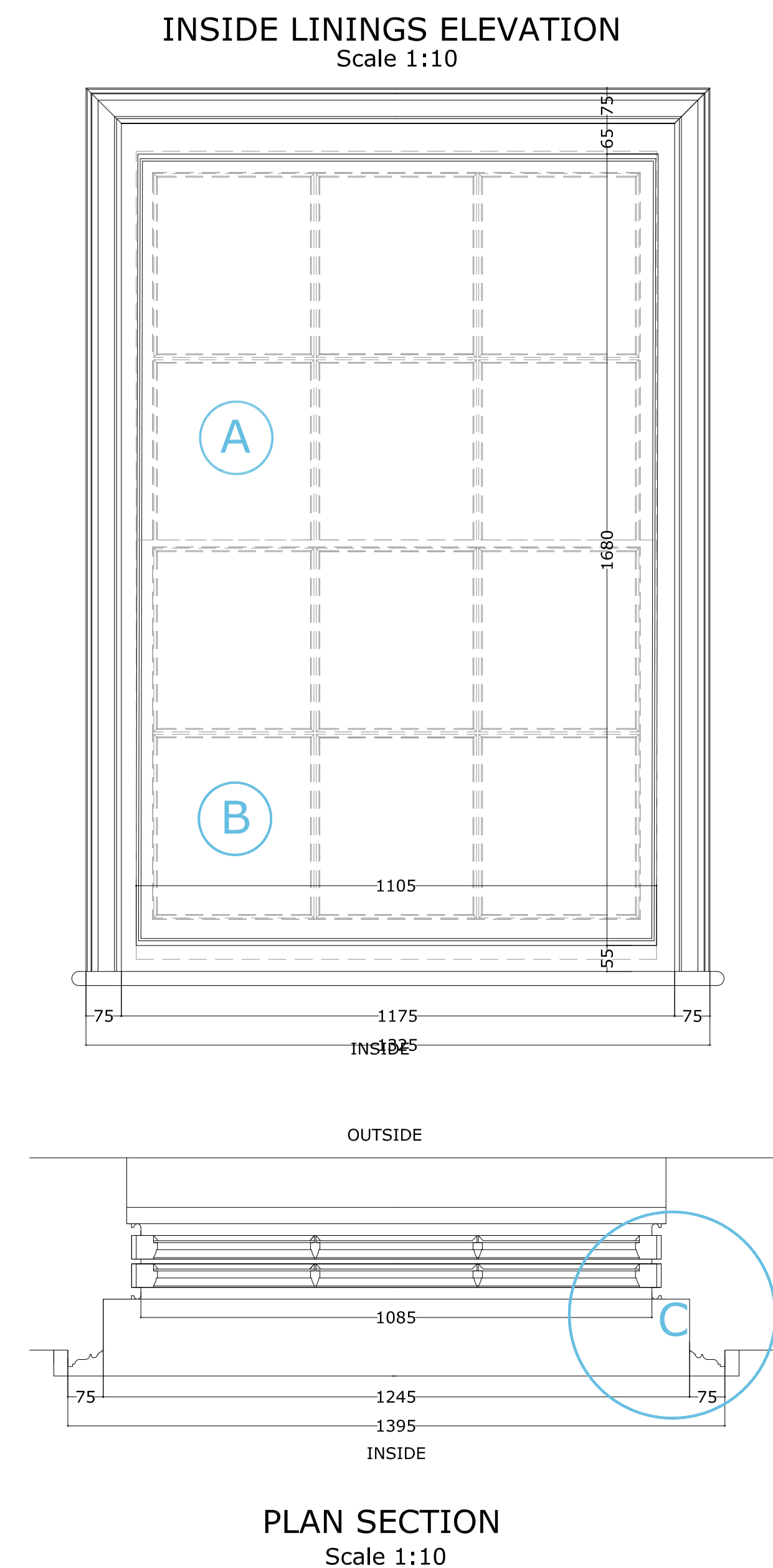
| WINDOW | SIDE | FLOOR | TYPE |
|--------|-------|--------|------------------|
| N.07 | SOUTH | GROUND | SASH DOUBLE HUNG |



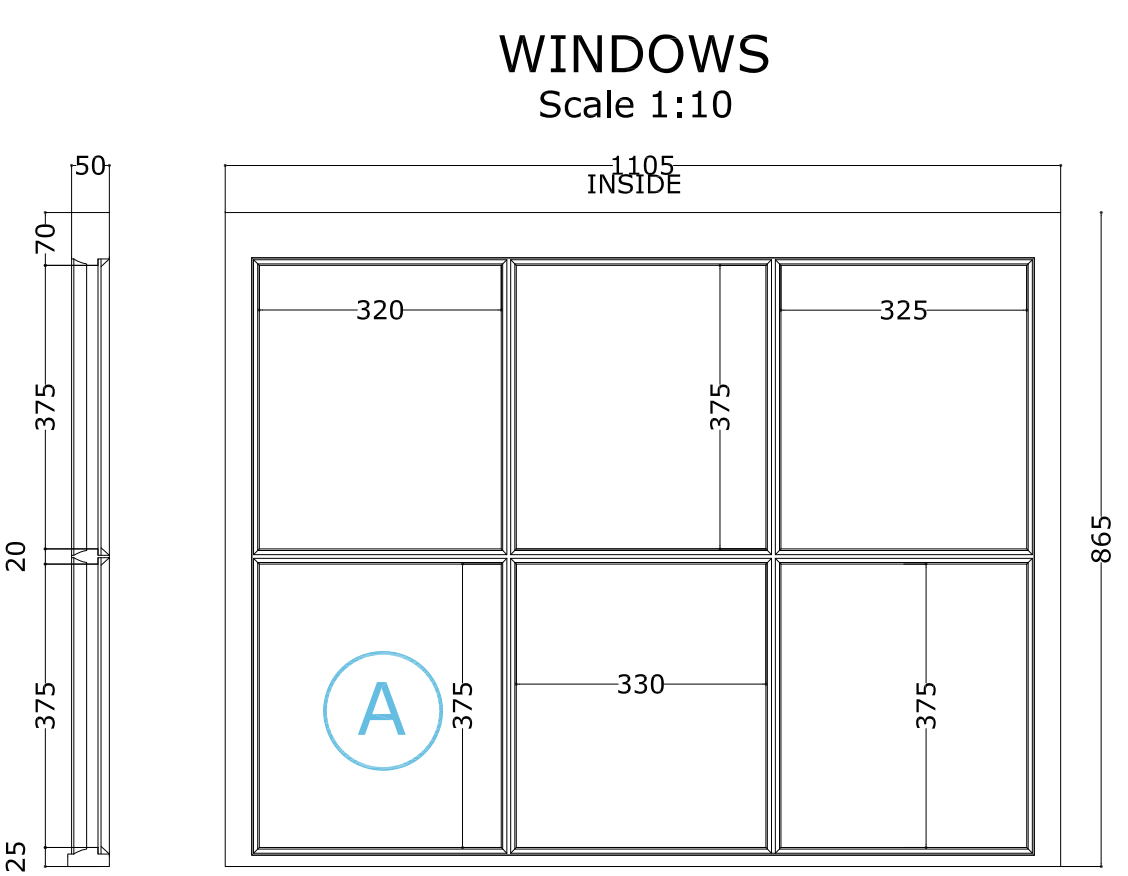
| WINDOW | SIDE | FLOOR | TYPE |
|--------|-------|--------|------------------|
| N.08 | SOUTH | GROUND | SASH DOUBLE HUNG |



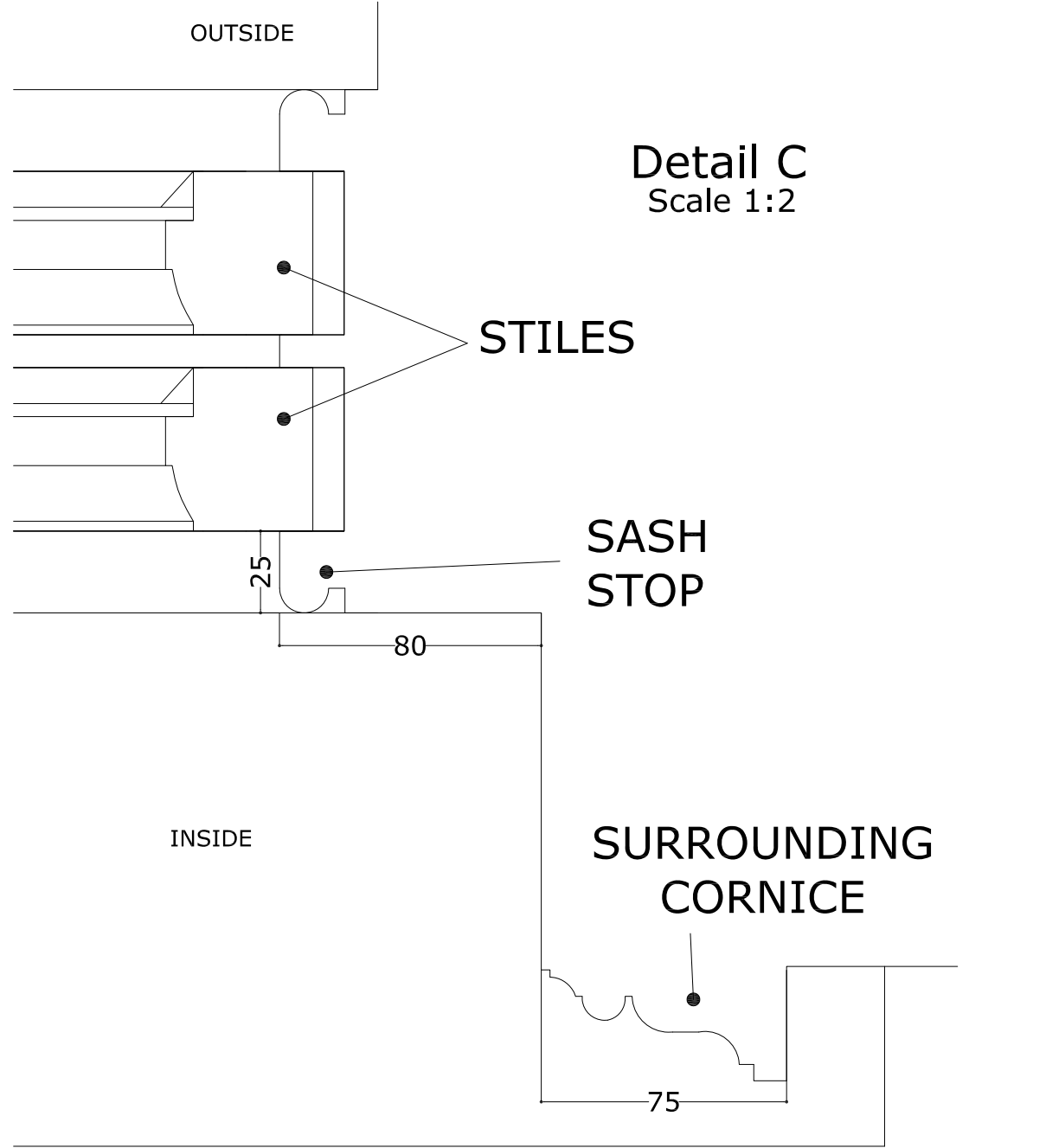
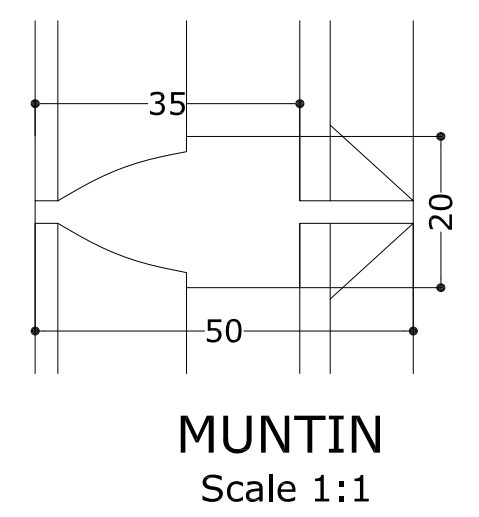
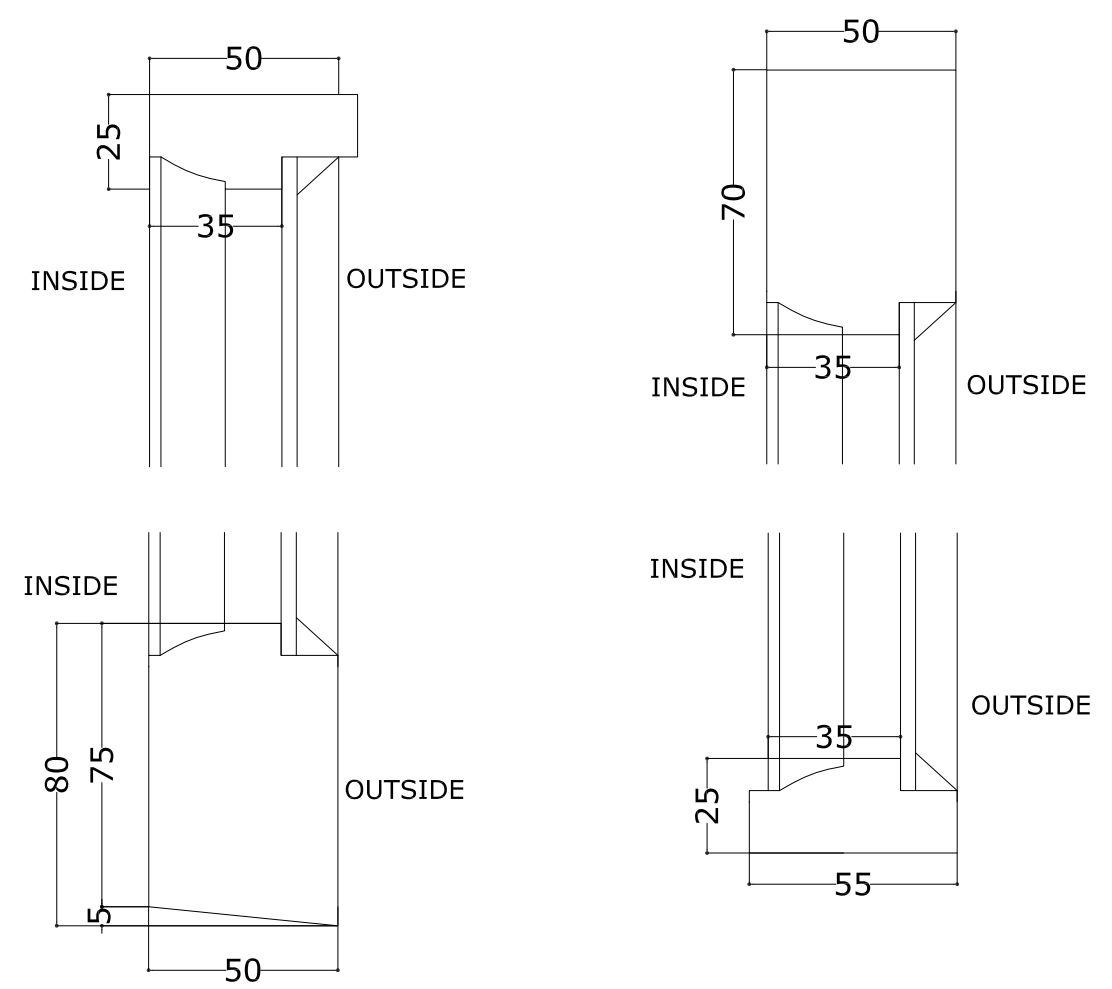
| WINDOW | SIDE | FLOOR | TYPE |
|--------|------|--------|------------------|
| N.09 | WEST | GROUND | SASH DOUBLE HUNG |



WINDOWS N.07 N.08 N.09



LOWER WINDOW UPPER WINDOW
Scale 1:2



GENERAL NOTES

All dimensions to be checked on site and any discrepancy to be notified to the supervising officer.
No dimension to be scaled from the drawings for construction purposes unless otherwise indicated. All work is to comply with Building Regulations including amendments made in April 2002.
The sole purpose of this drawing is the procurement of Planning Permission and Building Regulation approval and work is NOT to commence before such approvals.
Where this drawing is used for the works full specifications should be agreed with the tenderer to include Heating, Plumbing & other services where required.
Heating work or other appliances involving Gas should be carried out by a 'CORGI' approved contractor.



| REVISION | DESCRIPTION | BY | DATE |
|----------|-------------|----|------|
| | | | |

Saloria
CHARTERED ARCHITECTS
Unit 26 Cygnus Business Centre, Dalmeyer Road NW10 2XA
Tel: +44 (020) 8451 7833 +44 (020) 8459 9600
Fax: +44 (020) 8451 3370
Email: l.vekaria@saloria.co.uk website: www.saloria.co.uk

PROJECT
EXISTING WINDOWS - SURVEY -
MAIN HOUSE AT OSHWAL CENTRE
COOPERS LANE ROAD
NORTHAW HEARTFORDSHIRE EN6 4DG

DRAWING TITLE
WINDOWS 7-8-9

DATE 15.05.2015 DRAWN BY DP
SCALE VARIOUS@A1, VARIOUS-1/2@A3 CHECKED BY LV

DRAWING NO. 6842-54-P0 REVISION