

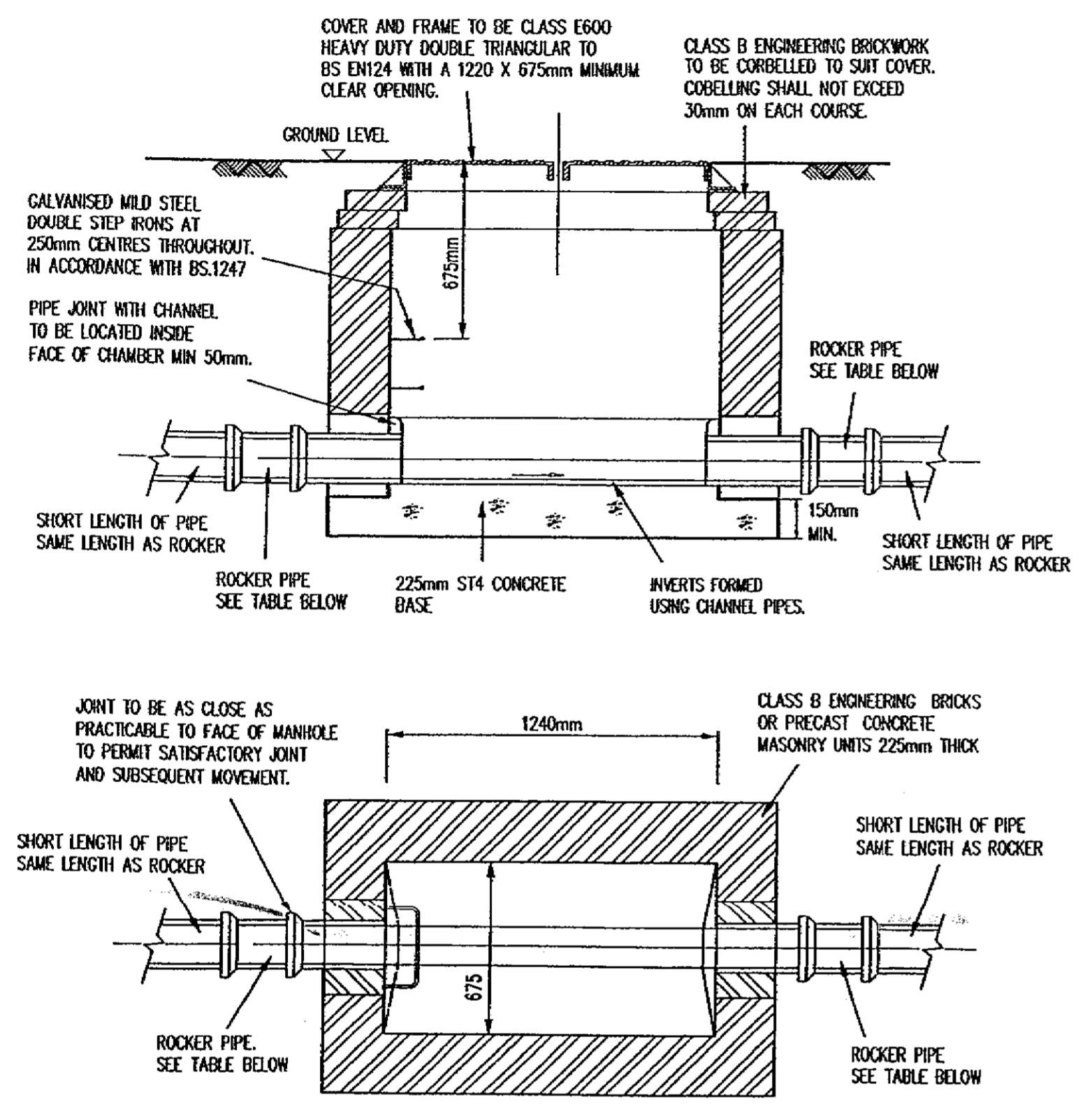
Class S Bedding

Concrete Bed And Surround

Pipe Bedding Details

SCALE 1:20

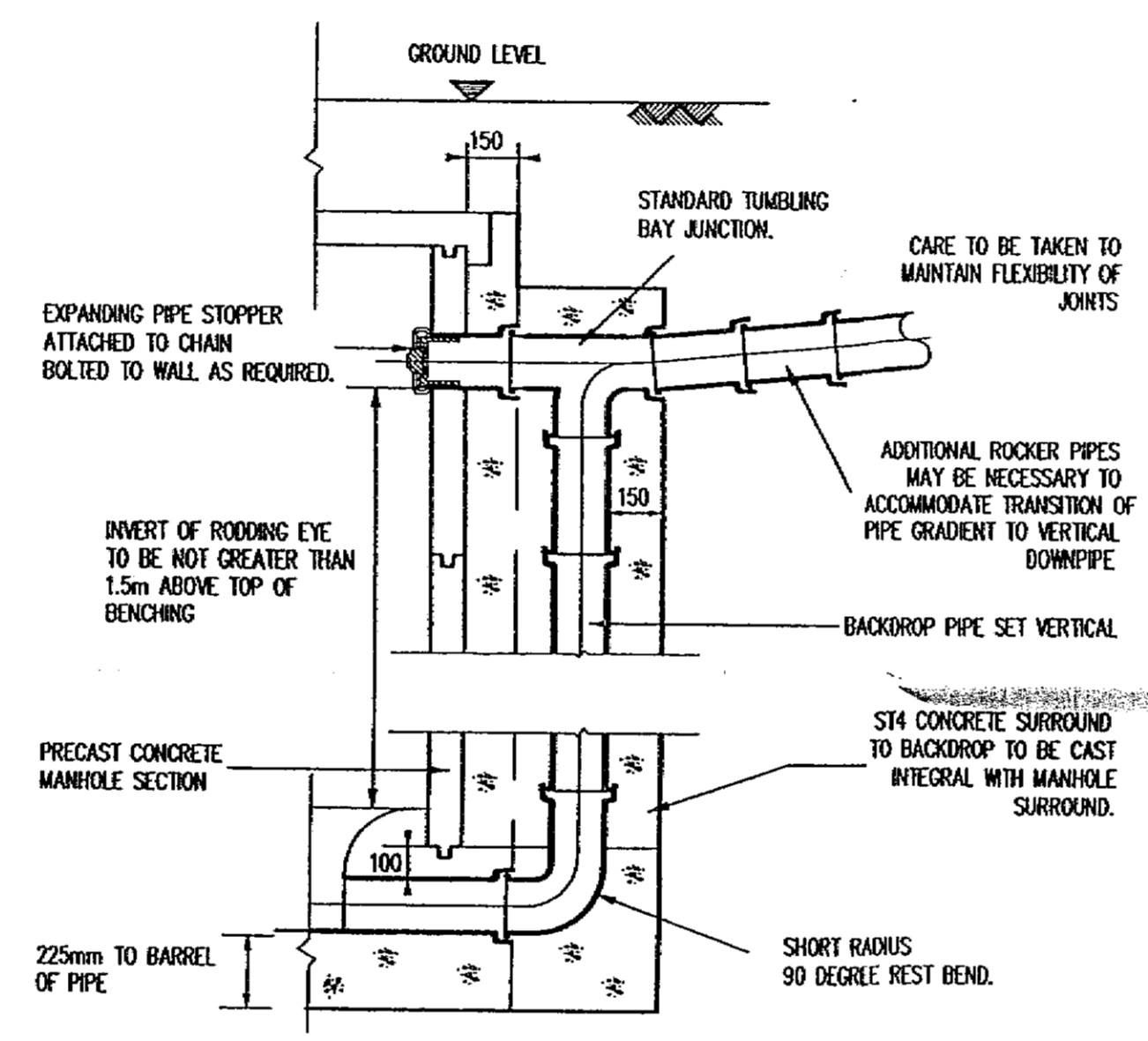
NOTE - TRENCH WIDTH (W) =
 MAXIMUM - EXTERNAL PIPE DIAMETER (E) + 600mm
 MINIMUM - EXTERNAL PIPE DIAMETER (E) + 300mm



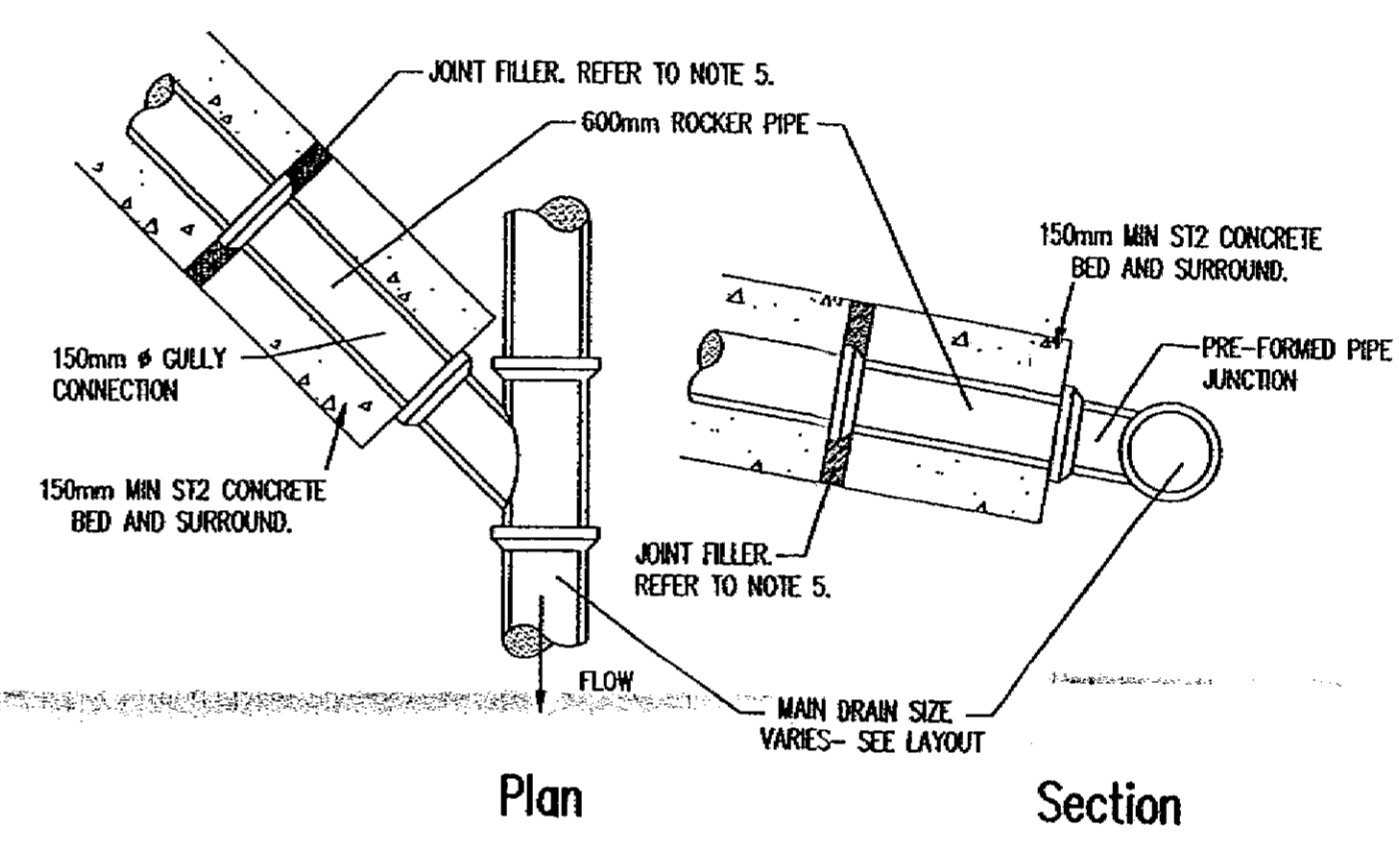
Manhole Type C

Scale 1:20

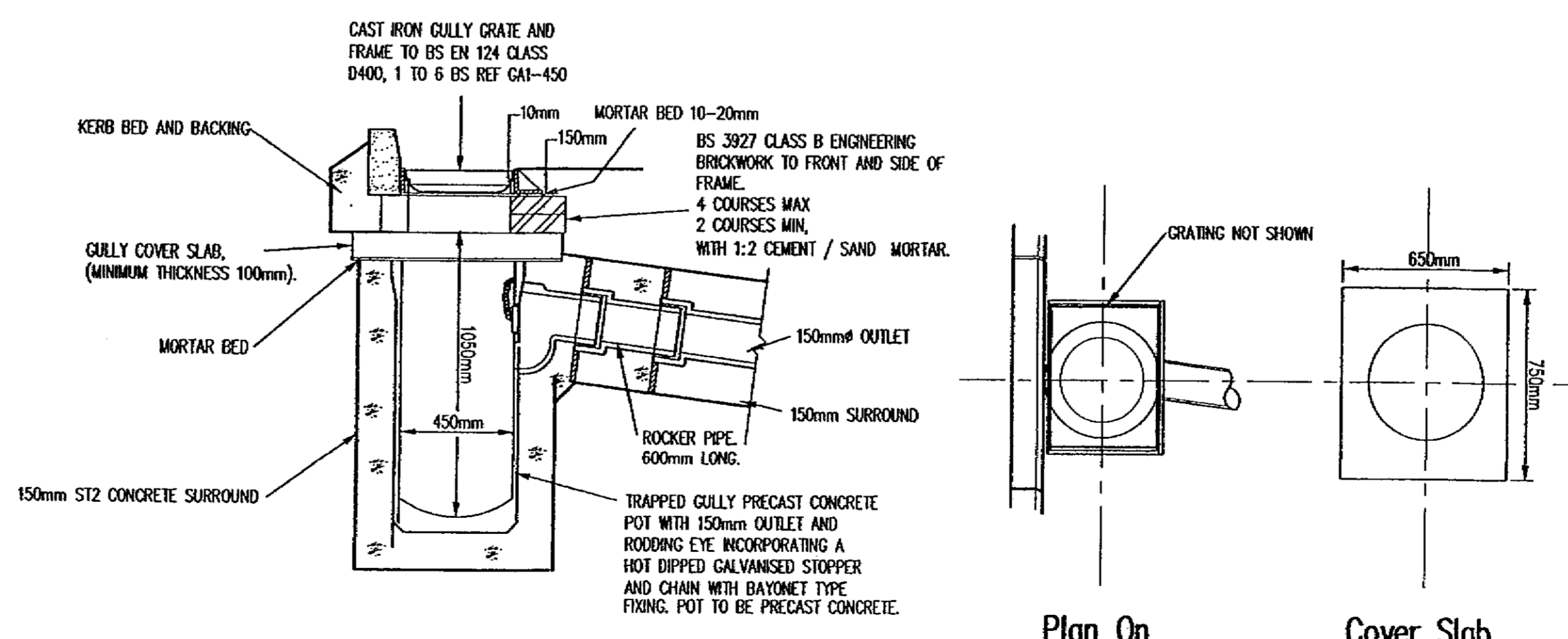
ROCKER PIPE LENGTHS	
DIA OF PIPE	EFFECTIVE LENGTH
150-600	600
675-750	1000
825 AND OVER	1250



Typical Vertical Backdrop Detail.



Typical Junction Pipe Detail at Gully Connection



Typical Road Gully Detail.

SCALE 1:20

NOTE:
 THE MINIMUM DEPTH FROM THE TOP OF THE GULLY GRATING TO THE TOP OF THE GULLY OUTLET IS TO BE 750mm WHEN THE CONNECTING PIPE IS UNDER THE CARRIAGEWAY OR HARD SHOULDER AND 600mm ELSEWHERE.

Plan On Road Gully

Cover Slab On Road Gully

- NOTES**
- THIS DRAWING SHALL BE READ IN CONJUNCTION WITH ALL RELEVANT ENGINEERS DRAWINGS. ANY DISCREPANCIES FOUND BETWEEN INFORMATION SHOWN ON THIS OR ANY OTHER DRAWING SHALL BE REPORTED TO THE FURLONG HOMES TECHNICAL DEPARTMENT IMMEDIATELY AND PRIOR TO WORKS COMMENCING ON SITE.
 - ALL ADAPTABLE DRAINAGE WORKS SHALL BE UNDERTAKEN STRICTLY IN ACCORDANCE WITH SEWERS FOR ADOPTION 5th EDITION.
 - TYPE A GRANULAR BEDDING SHALL CONSIST OF 14mm SINGLE SIZED PEA SHINGLE TO TABLE 1 OF BS 882 PART 2 1973.
 - SELECTED FILL TYPE B SHALL CONSIST OF UNIFORM READILY COMPACTIBLE MATERIAL FREE FROM TREE ROOTS, VEGETABLE MATTER, BUILDING RUBBISH AND FROZEN SOIL AND EXCLUDING CLAY LUMPS RETAINED ON A 75mm SIEVE AND STONES LARGER THAN THE MAXIMUM SIZE PERMITTED ON ANY ADJACENT TYPE A BEDDING MATERIAL.
 - WHERE CONCRETE BED AND SURROUND IS SPECIFIED JOINT FILLER SHOULD BE PROVIDED AT EVERY JOINT. THE FILLER MAY BE EXPANDED POLYSTYRENE 25mm THICK OR FLEXCELL CUT TO THE SHAPE OF THE BED AND SURROUND AND SUCH THAT THE INGRESS OF CONCRETE INTO THE PIPE IS PREVENTED.
 - TO ALLOW FOR POSSIBLE DIFFERENTIAL MOVEMENT A FLEXIBLE JOINT MUST BE INCORPORATED IN EACH SECTION OF PIPELINE WITHIN 150mm OF WHERE IT ENTERS A BUILDING OR CONNECTS WITH A MANHOLE, WALL OR OTHER STRUCTURE - SEE MANUFACTURERS INSTRUCTIONS.
 - ALL PIPEWORK GENERALLY TO BE BEDDED AS FOLLOWS:
 - (i) UNDER ADAPTABLE VEHICULAR AREAS WHERE COVER IS LESS THAN 1200mm UNDER PEDESTRIAN AREAS WHERE COVER IS LESS THAN 900mm } CONCRETE BEDDING (Min 150mm)
 - (ii) UNDER ADAPTABLE VEHICULAR AREAS, PEDESTRIAN AREAS WHERE DEPTHS GIVEN IN (i) ARE EXCEEDED; } CLASS S BEDDING (Min 150mm)
 - ALL CONCRETE AT OR BELOW GROUND LEVEL ON SITE SHALL BE ABLE TO WITHSTAND CLASS DS-1 / AC-1 SULPHATE CONCENTRATIONS IN ACCORDANCE WITH THE BRE DIGEST 363.
 - CONTRACTOR TO ENSURE THAT THE PRIVATE SURFACE WATER DOES NOT RUN OFF INTO THE ADAPTABLE AREA.
 - ALL ADAPTABLE DRAINAGE BRICKWORK SHALL BE CONSTRUCTED USING ENGLISH BOND.
 - ALL NEW ADAPTABLE PUBLIC MANHOLES TO BE ADOPTED BY THAMES WATER SHALL BE BADGED SW.
 - ALL ADAPTABLE CONCRETE PIPELINES TO BE CLASS H AND WITRIFIED CLAY PIPELINES TO BE EXTRA STRENGTH.
 - ALL FILL MATERIAL TO DRAINAGE PIPEWORK, SERVICE TRENCHES AND AROUND MANHOLES SHALL BE DOT TYPE 1 ONLY.
 - GULLY CONNECTION SHALL NOT HAVE BACKDROPS.

REV	DATE	DESCRIPTION	BY	CHK
A	Sep' 05	ROCKER PIPE TABLE ADDED TO MANHOLE TYPE C. NOTE 7 EXPANDED TO STATE 150mm MINIMUM SURROUND THICKNESS. TYPICAL JUNCTION PIPE DETAIL AT GULLY CONNECTION PIPE SIZES CLARIFIED. ROAD GULLY DETAIL AMENDED. NOTES 13 AND 14 ADDED. ALL AMENDMENTS IN ACCORDANCE WITH HERTFORDSHIRE HIGHWAYS CATEGORY B DESIGN CHECKS DATED 24/08/2005.	AJV	
B	Dec' 05	CLIENT NAME AMENDED.	AJV	

SUBJECT TO TECHNICAL APPROVAL

This drawing is the property and copyright of the Consulting Engineer and shall not without written consent be communicated to a third party.

CLIENT
McCANN HOMES Ltd (EASTERN REGION)

SITE
**LEMSFORD LANE
 WELWYN GARDEN CITY**

TITLE
**Adoptable Drainage Construction
 Details, Sheet 2 of 2**

SDP
 CONSULTING ENGINEERS

Head Office, Suite 3, Salfar House, Campfield Road, St Albans, Hertfordshire, AL1 5HT
 Tel: 01727 844696, Fax: 01727 830771
 Email: mail@sdpec.co.uk

Southern Office, 21a Bargates, Christchurch, Dorset, BH23 1QD
 Tel: 01202 490600, Fax: 01202 490601
 Email: sdpsouth@sdpec.co.uk

SCALE	DRAWN	DATE
SEE DWG @ A1	AJV	April 2005
CHECKED	PASSED	REV.
PB 14.04.05		B
DRAWING NO.	E04-067-106	