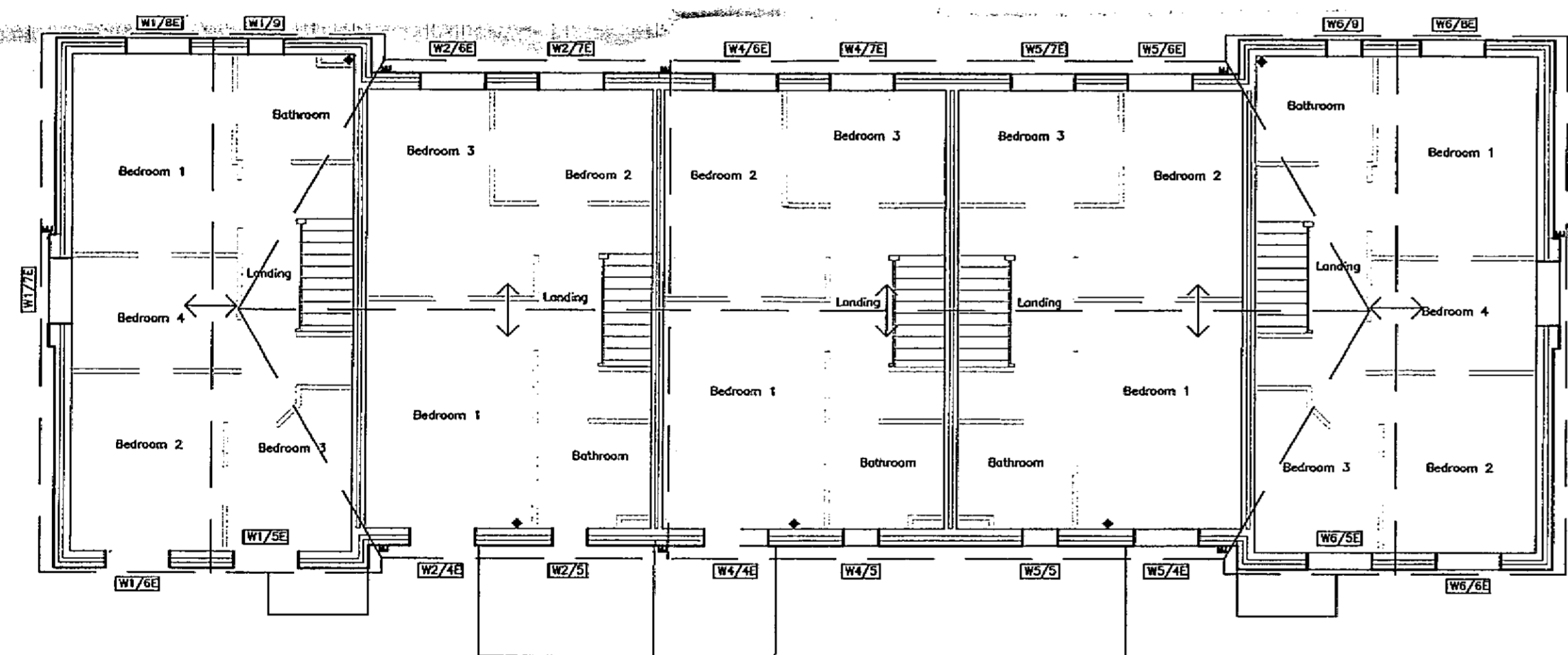


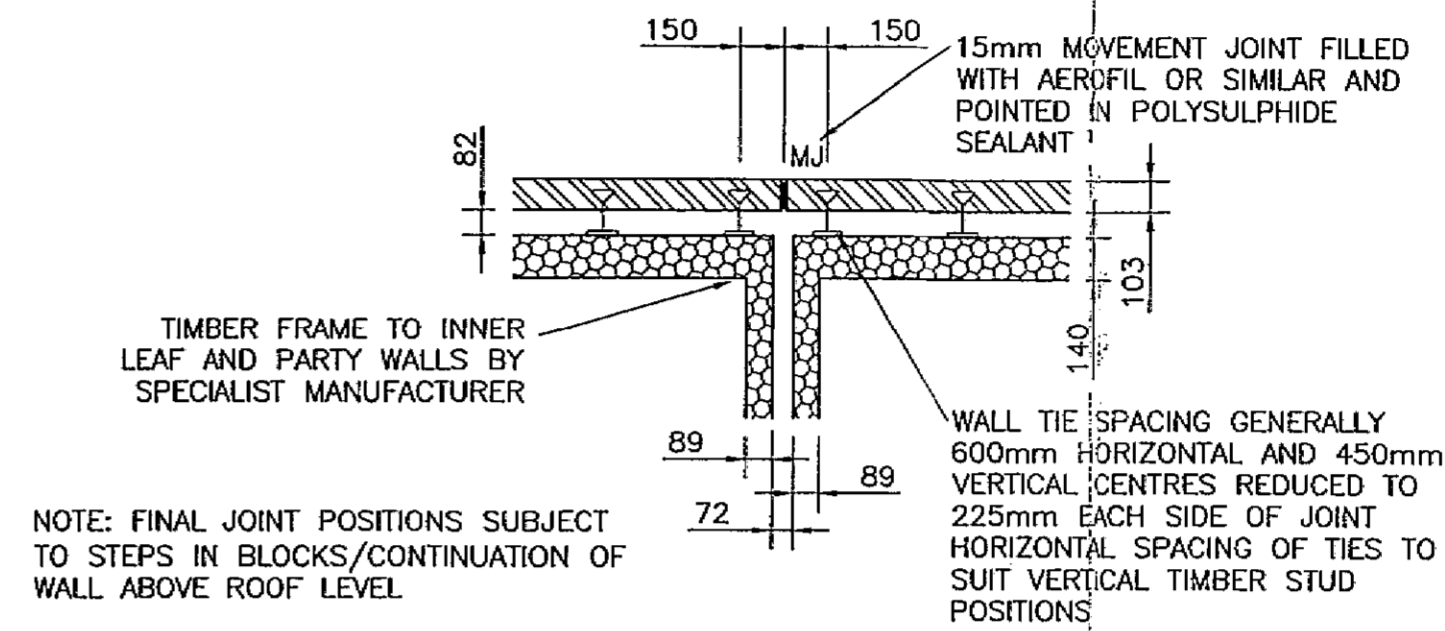
BLOCK 1 GROUND FLOOR
MOVEMENT JOINT LAYOUT



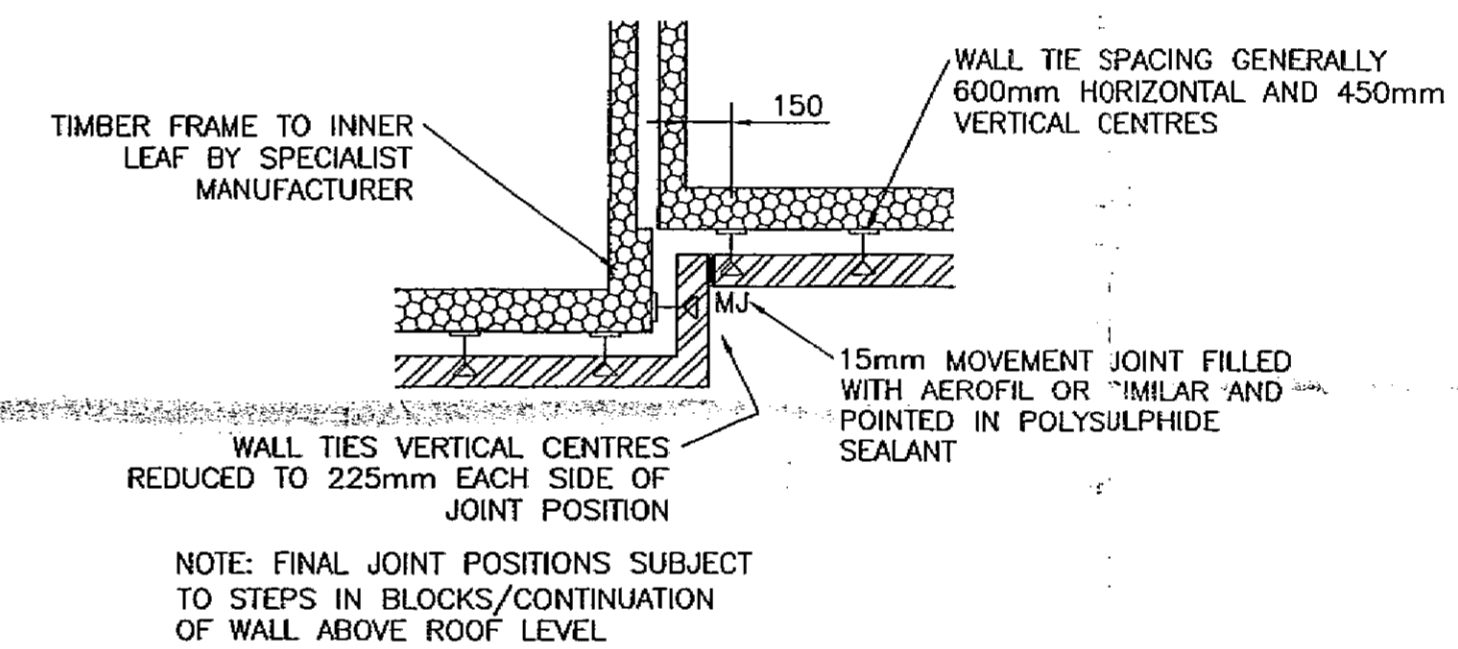
BLOCK 1 FIRST FLOOR - U/S ROOF
MOVEMENT JOINT LAYOUT

THESE DETAILS ARE TO BE READ IN CONJUNCTION WITH THE ARCHITECTS ELEVATIONS AND WHERE POSSIBLE JOINT TO BE HIDDEN BEHIND RWP'S

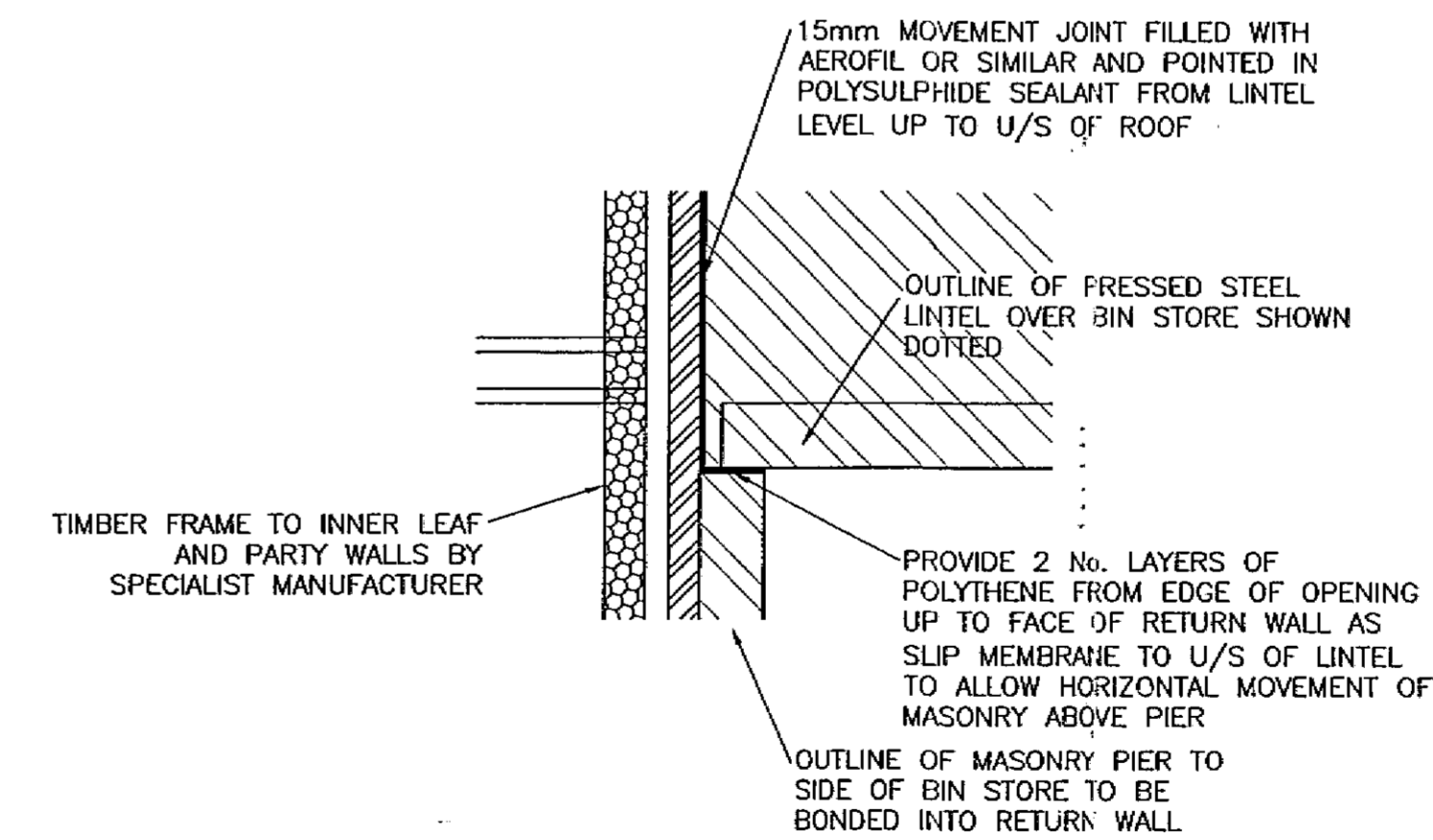
MOVEMENT JOINTS TO BE CONSTRUCTED VERTICALLY FROM DPC LEVEL UP TO UNDERSIDE OF ROOF EXCEPT WHERE SPECIFIED OTHERWISE



Detail 1 - Movement Joint to Length of Wall
(Exceeding 12.0m Brickwork/6.0m Blockwork)



Detail 2 - Movement Joint to Short
Return to External Wall



Detail 3 - Movement Joint to Side
of Opening Above Lintel Level

- NOTES
1. THIS DRAWING SHALL BE READ IN CONJUNCTION WITH ALL RELEVANT ENGINEERS AND ARCHITECTS DRAWINGS. ANY DISCREPANCIES FOUND BETWEEN INFORMATION SHOWN ON THIS OR ANY OTHER DRAWING SHALL BE REPORTED TO THE ENGINEER IMMEDIATELY AND PRIOR TO WORKS COMMENCING ON SITE.
 2. FOR FOUNDATION LAYOUTS AND DETAILS REFER TO SDP DRAWING No's. E04-067-200/201.
 3. THE SPACINGS, LOCATION AND TYPE OF CAVITY WALL TIES SHALL BE IN ACCORDANCE WITH BS 5628.
 4. ALL WALL TIES REGARDLESS OF POSITION, SHALL BE STAINLESS STEEL IN ACCORDANCE WITH BS 1243 & DD140. FISH TAIL OR OTHER TIES WITH SHARP EDGES SHALL NOT BE USED.
 5. ALL MORTAR ABOVE DPC TO BE CLASS (iii) IN ACCORDANCE WITH TABLE 1 OF BS 5628 Pt 1.
 6. UNLESS OTHERWISE SPECIFIED, THE MINIMUM EMBEDMENT OF WALL TIES SHALL BE 50mm.
 7. CAVITY TIES TO BE LOCATED AT 225mm HORIZONTAL AND 225mm VERTICAL CENTRES AT OR AROUND OPENINGS, NO GREATER THAN 225mm FROM ANY OPENING.
 8. WALL TIES TO BE ANCON TYPE STAFFIX TIMBER FRAME TIES TO SUIT 82mm CAVITY.

A DRAWING AMENDED TO SUIT LATEST ARCHITECTS LAYOUTS AND TO SUIT TIMBER FRAME MANUFACTURERS REQUIREMENTS AND DRAWING STATUS AMENDED TO 'FOR TENDER'. MAY'06 HCP

REVISION

STATUS

FOR TENDER

This drawing is the property and copyright of the Consulting Engineer and shall not without written consent be communicated to a third party.

CLIENT

McCANN HOMES LTD (EASTERN REGION)

SITE

LEMSFORD LANE,
WELWYN GARDEN CITY

TITLE

Block 1
Movement Joint Details

SDP CONSULTING ENGINEERS

Head Office, Suite 3, Salford House, Campfield Road, St Albans, Hertfordshire, AL1 5HT
Tel: 01727 844666, Fax: 01727 830771
Email: mail@sdpce.co.uk

Southern Office, 21a Bargates, Christchurch, Dorset, BH23 1QD.
Tel: 01202 490600, Fax: 01202 490601
Email: sdpsouth@sdpce.co.uk

RECEIVED
8 MAY 2005

SCALE

1:100/25 @ A1

DRAWN HCP

DATE APR '05

DRAWING NO. E04-067-210

REV. A