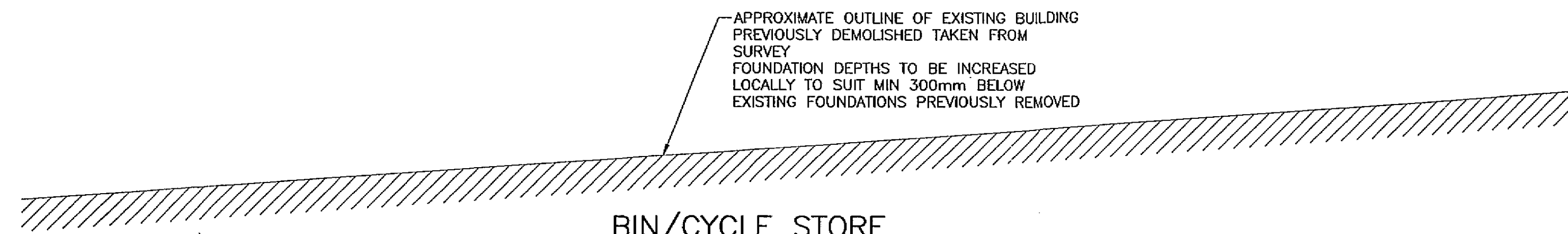
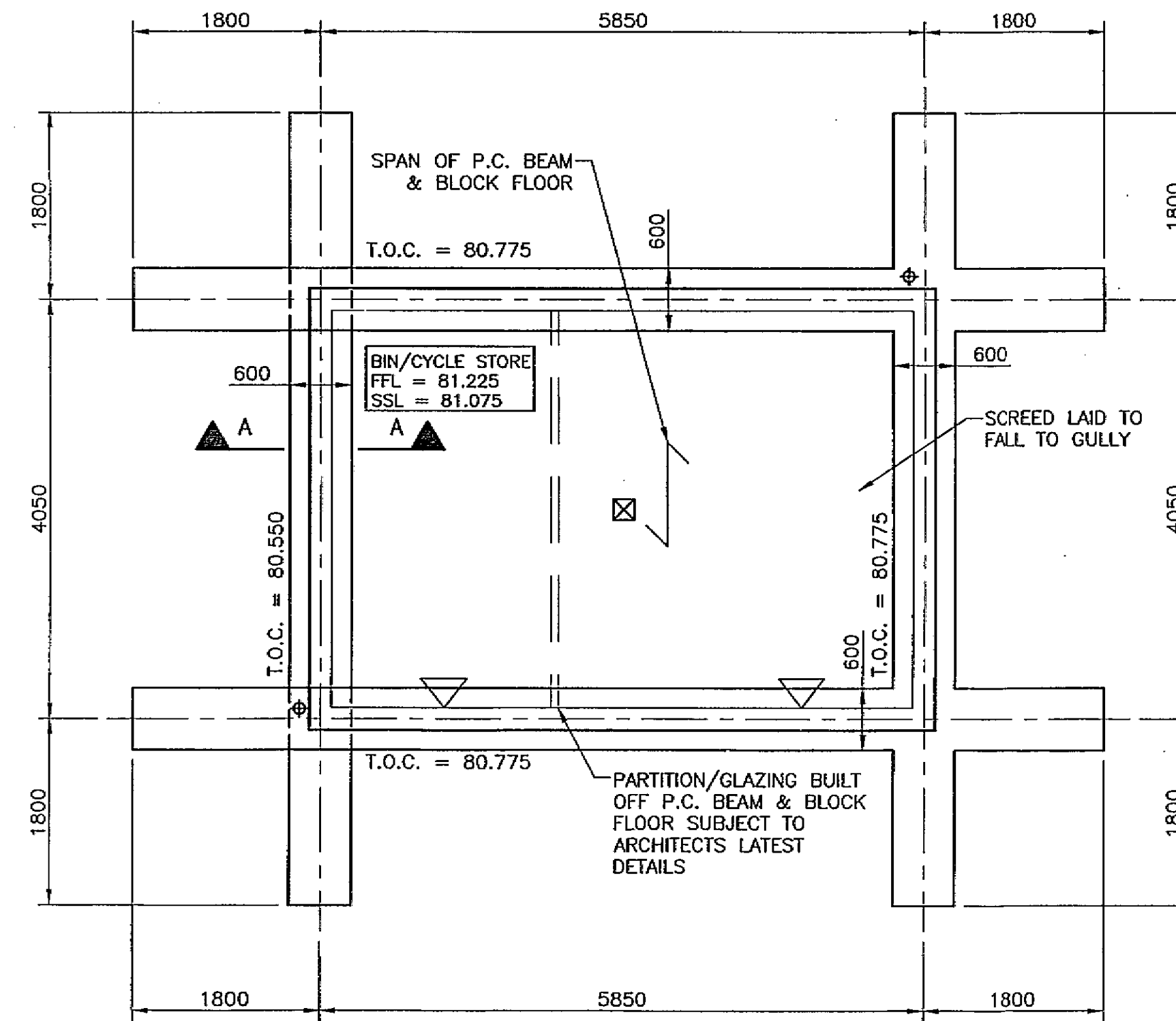


NOTE :- ALL FOUNDATIONS TO BE MIN 750mm THICK INSITU R.C. WITH B1131 MESH TOP / BTM EXCEPT WHERE SHOWN OTHERWISE. WHERE SOFT AREAS OF SUBSOIL ARE ENCOUNTERED EXCAVATE DOWN TO DENSE SAND/GRAVELS AND BACKFILL WITH MASS CONCRETE UP TO U/S OF R.C. FOUNDATION

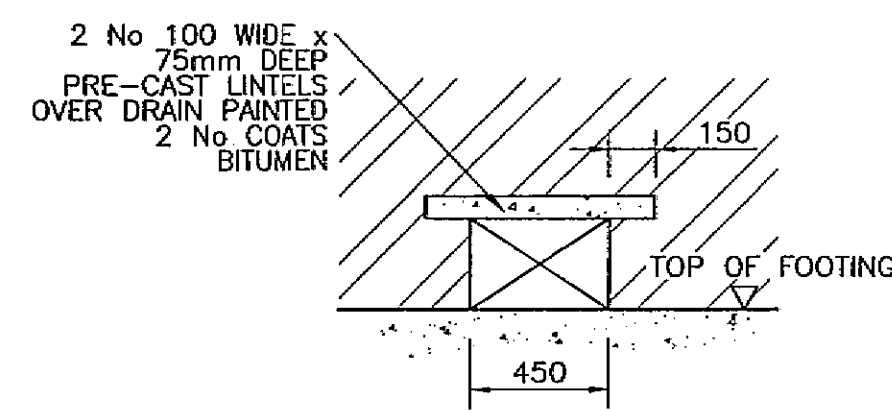
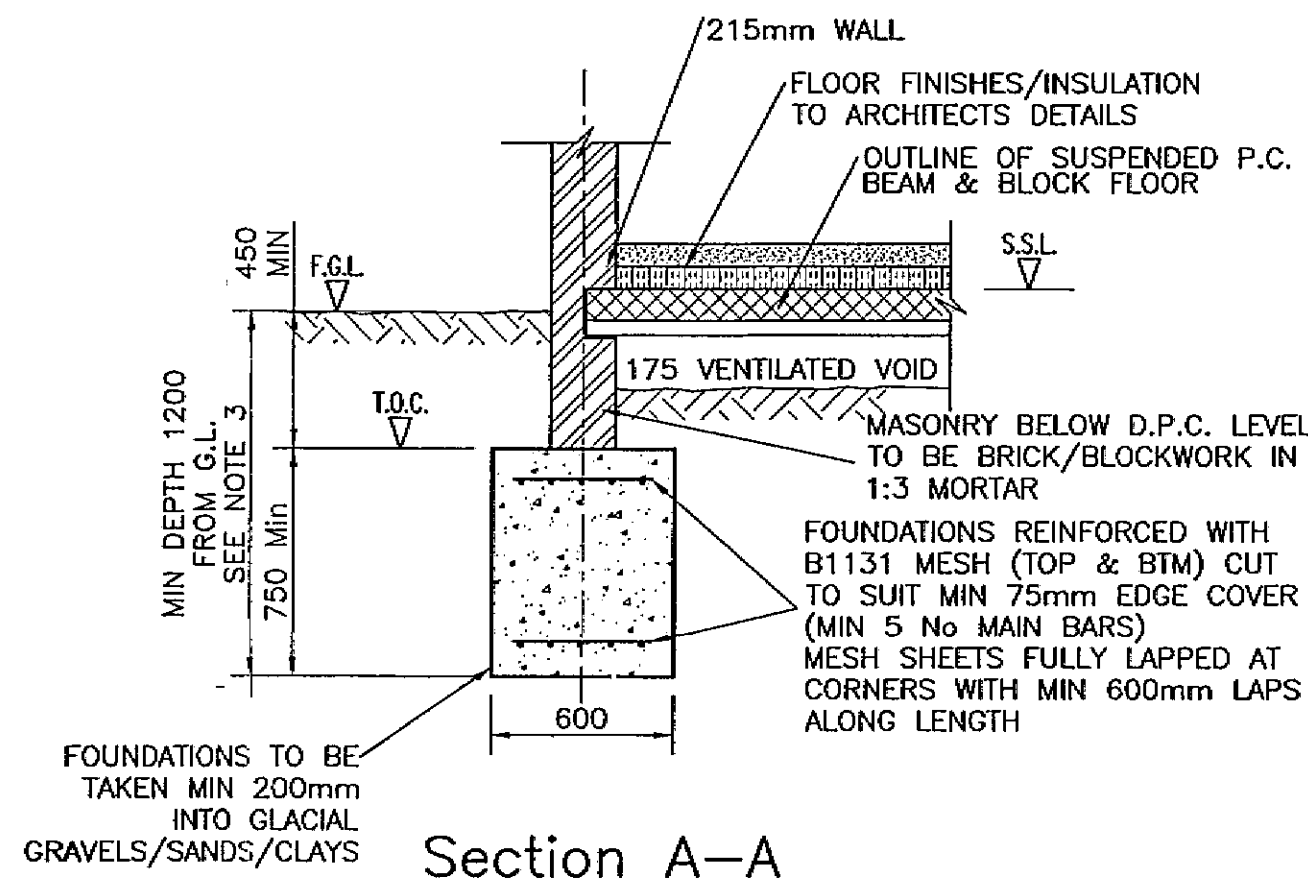
NOTE :- FOUNDATIONS SUBJECT TO COMMENTS/APPROVAL BY LOCAL AUTHORITY REGARDING POSSIBLE SOLUTION FEATURES

NOTE :- SIDES OF FOUNDATIONS MAY NEED TEMPORARY SUPPORT DUT TO NATURE OF GROUND IN ACCORDANCE WITH S.I. REPORT



BIN/CYCLE STORE FOUNDATION LAYOUT

TOP OF CONCRETE SUBJECT TO DRAINAGE REQUIREMENTS



Typical Lintel Over Drainage Detail

- NOTES
- THIS DRAWING SHALL BE READ IN CONJUNCTION WITH ALL RELEVANT ENGINEERS AND ARCHITECTS DRAWINGS. ANY DISCREPANCIES FOUND BETWEEN INFORMATION SHOWN ON THIS OR ANY OTHER DRAWING SHALL BE REPORTED TO THE ENGINEER IMMEDIATELY AND PRIOR TO WORKS COMMENCING ON SITE.
 - THE FOUNDATIONS ARE BASED ON INFORMATION ON GROUND CONDITIONS OBTAINED FROM THE SITE INVESTIGATION REPORT BY IAN FARMER ASSOCIATES - REPORT No 5831 DATED APRIL 2004. SUBSOIL BEARING STRATA = GLACIAL GRAVEL WITH AN ALLOWABLE BEARING PRESSURE VALUE OF 175kN/m².
 - MINIMUM FOUNDATION DEPTH IS TO BE 1200mm OR AS INDICATED ON THE DRAWINGS. FOUNDATIONS ARE TO EXTEND AT LEAST 600mm BELOW ANY ROOTS/SOFT AREAS ENCOUNTERED. FOUNDATIONS ARE TO EXTEND AT LEAST 300mm BELOW ANY EXISTING FOUNDATIONS WHICH ARE TO BE REMOVED. ALL EXCAVATIONS ARE TO BE CHECKED/APPROVED BY THE BUILDING INSPECTOR AND SITE INVESTIGATION FIRM PRIOR TO CONCRETING.
 - CONCRETE DETAILS:- CLASS DS-1 SULPHATES/AC-1 REINFORCED CONCRETE TRENCH FILL FOOTINGS
CONCRETE GRADE = C35
MIN. CEMENT CONTENT = 300kg/m³
MAX. WATER CEMENT RATIO = 0.6
NOM. AGGREGATE SIZE = 20mm
(ALTERNATIVE RC35 DESIGNATED MIX TO B.S. 5328)
 - ALL BLOCKWORK BELOW D.P.C. TO BE MIN. 7.0N/mm² BLOCKS LAD IN 1:3 MORTAR (BLOCKS SUBJECT TO CONFIRMATION FROM MANUFACTURER OF SUITABILITY FOR USE BELOW D.P.C.) EXCEPT WHERE SHOWN. BRICKWORK BELOW D.P.C. TO HAVE MIN. 21 N/mm² CRUSHING STRENGTH LAID AS ABOVE.
 - DIRECTION OF SPAN OF PRECAST BEAM AND BLOCK (WHERE APPLICABLE) FLOORING BY SPECIALIST SHOWN THUS:-
 - LOADING ON P.C. GROUND FLOOR:-
SCREED = 2.0kN/m²
PARTITIONS = 1.0kN/m²
IMPOSED = 3.0kN/m²
 - SUB-FLOOR VOIDS TO BE VENTILATED AS INDICATED ON THE ARCHITECTS LAYOUT DETAILS.
 - KEY TO ABBREVIATIONS:-
FFL = FINISHED FLOOR LEVEL
SSL = STRUCTURAL SLAB LEVEL
TOC = TOP OF CONCRETE.
 - ALL FOUNDATIONS ARE TO BE 600mm WIDE SET OUT CENTRALLY UNDER LOAD BEARING WALLS OVER UNLESS NOTED OTHERWISE.

A DRAWING AMENDED TO SUIT LATEST ARCHITECTS LAYOUTS AND FOUNDATION DEPTHS AMENDED TO SUIT DRAINAGE REQUIREMENTS AND DRAWING STATUS AMEND TO 'FOR TENDER'.

REVISION STATUS

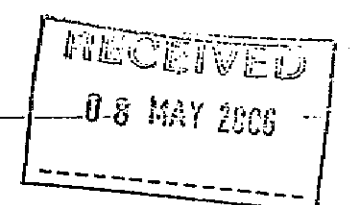
FOR TENDER

This drawing is the property and copyright of the Consulting Engineer and shall not without written consent be communicated to a third party.

CLIENT
McCANN HOMES LTD (EASTERN REGION)

SITE
LEMSFORD LANE,
WELWYN GARDEN CITY

TITLE
Bin/Cycle Store
Foundation Layout



SDP
CONSULTING ENGINEERS
Head Office, Suite 3, Salar House, Campfield Road, St Albans, Hertfordshire. AL1 5HT
Tel. 01727 844606. Fax. 01727 830771
Email. mail@sdpe.co.uk
Southern Office, 21a Bargates, Christchurch, Dorset. BH23 1QD.
Tel. 01202 490600. Fax. 01202 490501
Email. sdpsouth@sdpe.co.uk

SCALE 1:50/25 @ A1	DRAWN HCP	DATE JUN '05
DRAWING NO. E04-067-205	REV. A	