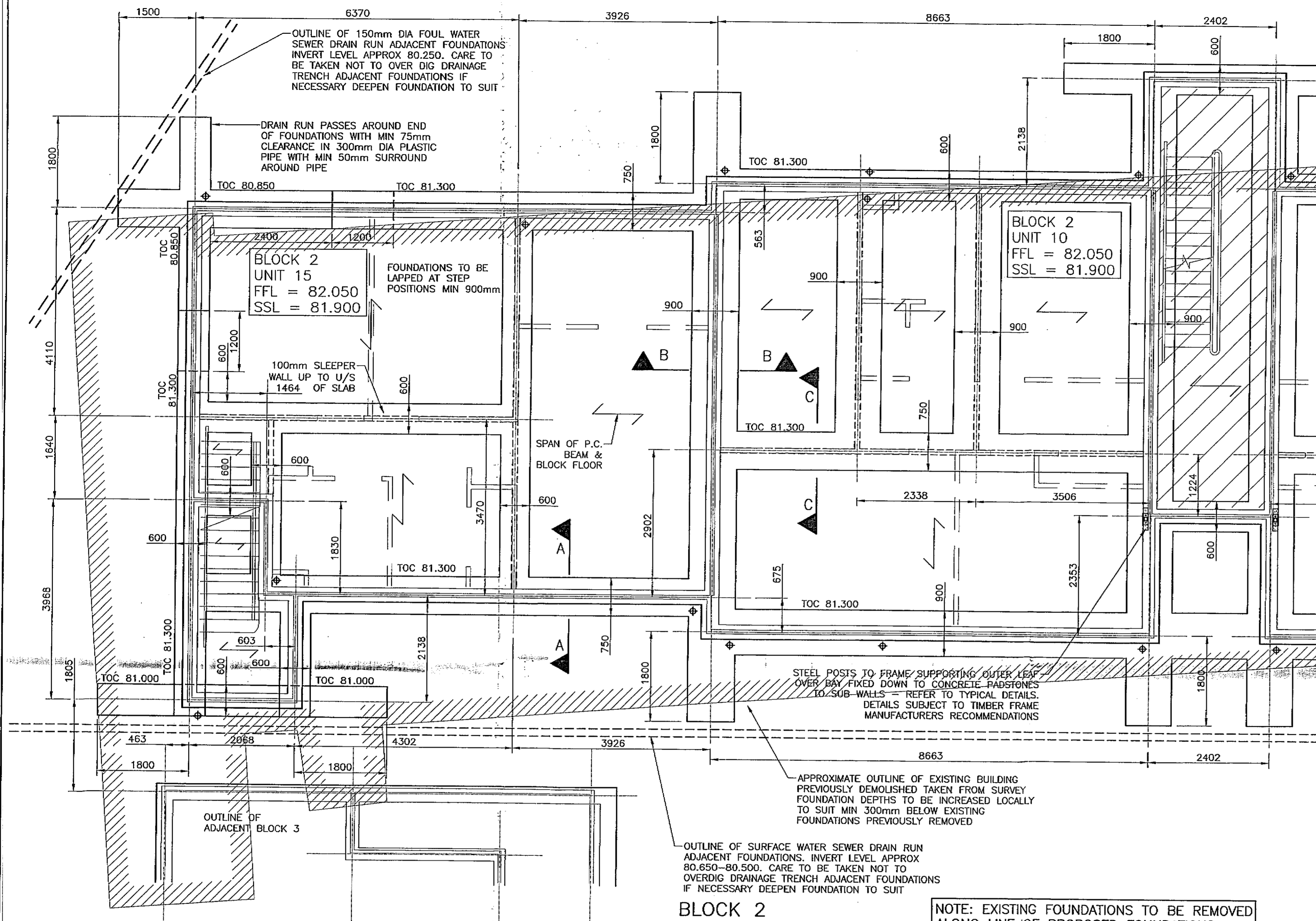


FOR CONTINUATION REFER TO  
SDP DRAWING No. E04-064-203



**BLOCK 2  
UNITS 15 & 10  
FOUNDATION LAYOUT**

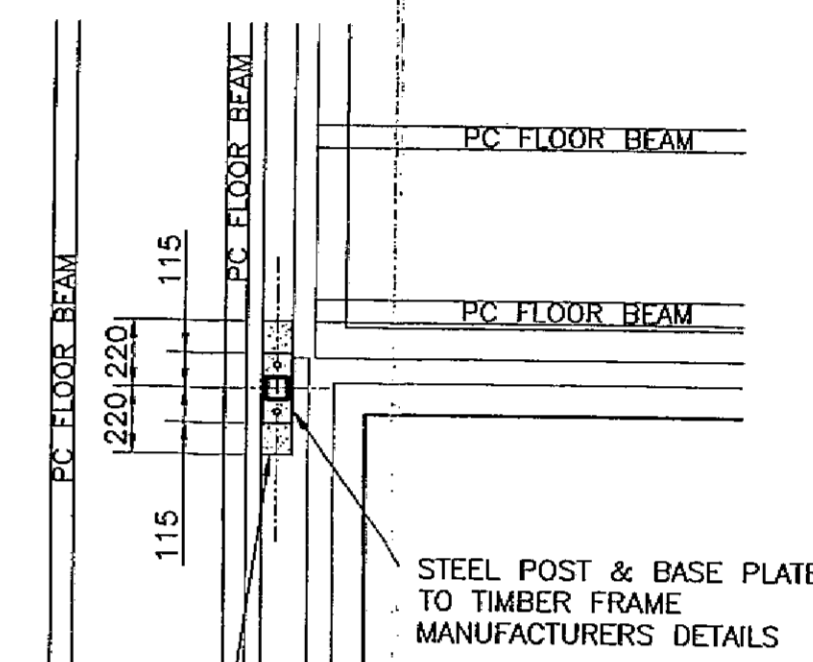
NOTE: EXISTING FOUNDATIONS TO BE REMOVED  
ALONG LINE OF PROPOSED FOUNDATIONS  
DEEPEENED LOCALLY WHERE NECESSARY TO  
SUIT MIN 300mm BELOW EXISTING FORMATION  
LEVELS

FOR CONTINUATION REFER TO  
SDP DRAWING No. E04-064-205

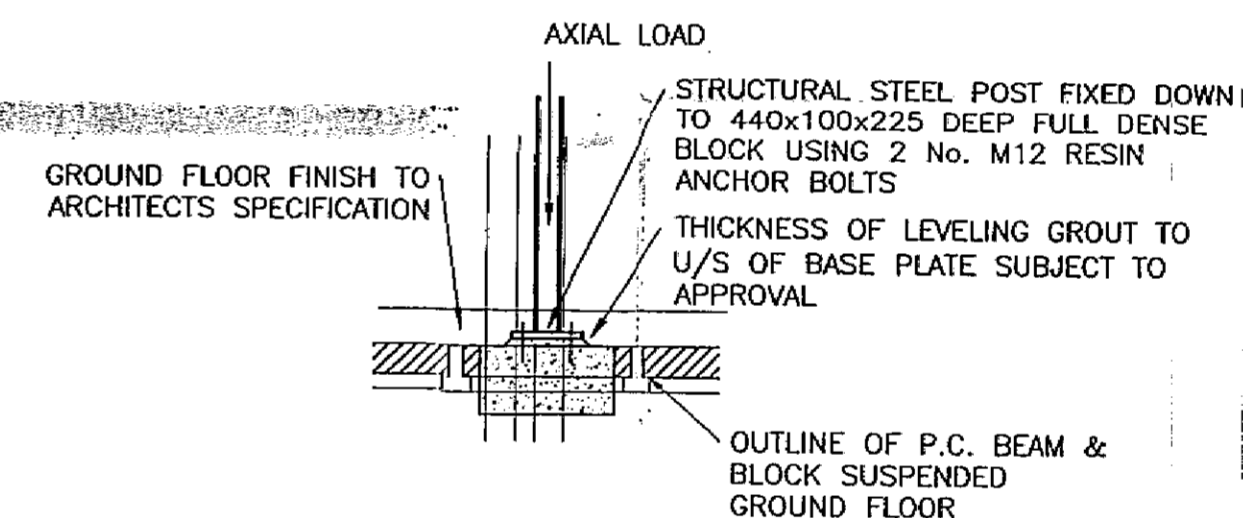
NOTE :- ALL FOUNDATIONS TO BE MIN 750mm  
THICK INSITU R.C. WITH B1131 MESH TOP / BTM  
EXCEPT WHERE SHOWN OTHERWISE.  
WHERE SOFT AREAS OF SUBSOIL ARE  
ENCOUNTERED EXCAVATE DOWN TO DENSE  
SAND/GRAVELS AND BACKFILL WITH MASS  
CONCRETE UP TO U/S OF R.C. FOUNDATION

NOTE :- FOUNDATIONS SUBJECT TO  
COMMENTS/APPROVAL BY LOCAL AUTHORITY  
REGARDING POSSIBLE SOLUTION FEATURES

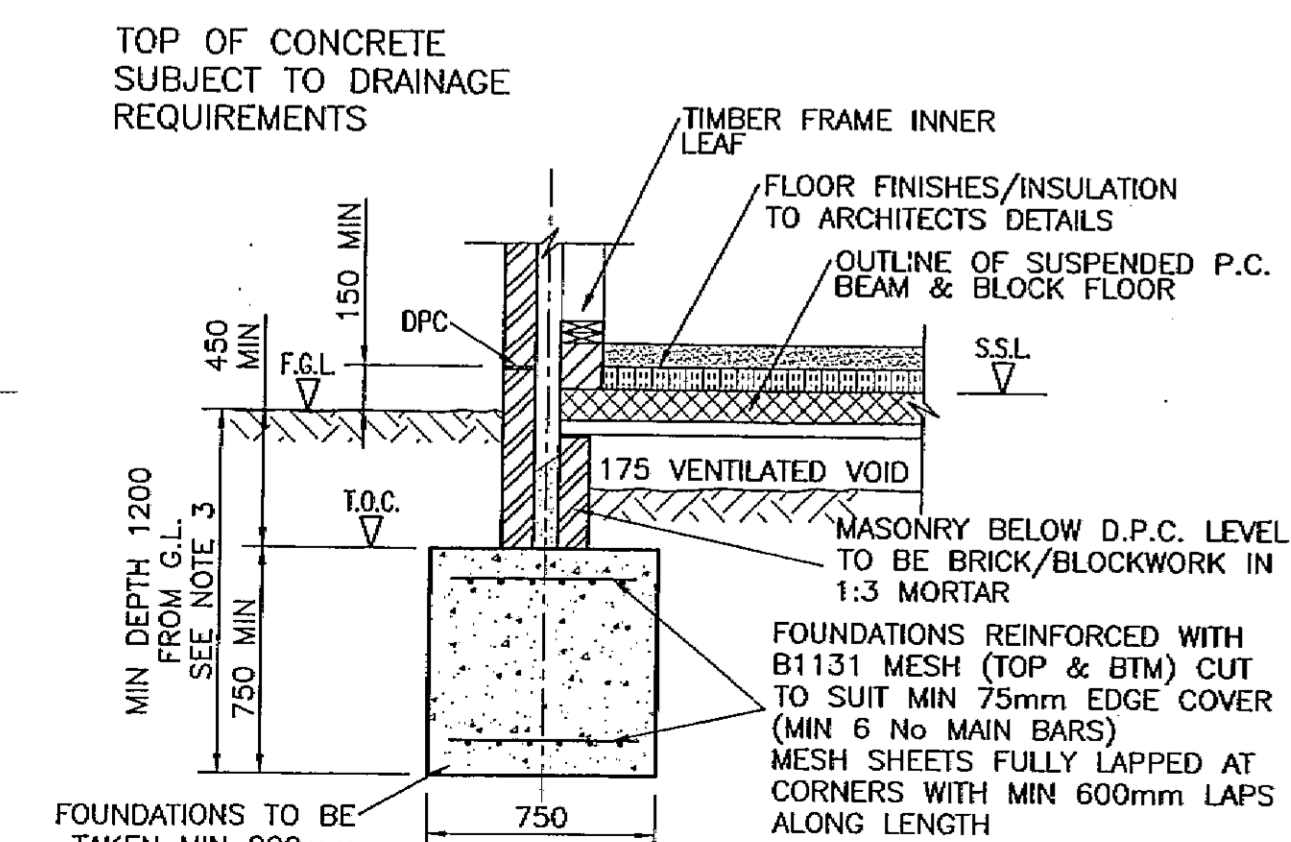
NOTE :- SIDES OF FOUNDATIONS MAY NEED  
TEMPORARY SUPPORT DUT TO NATURE OF  
GROUND IN ACCORDANCE WITH S.I. REPORT



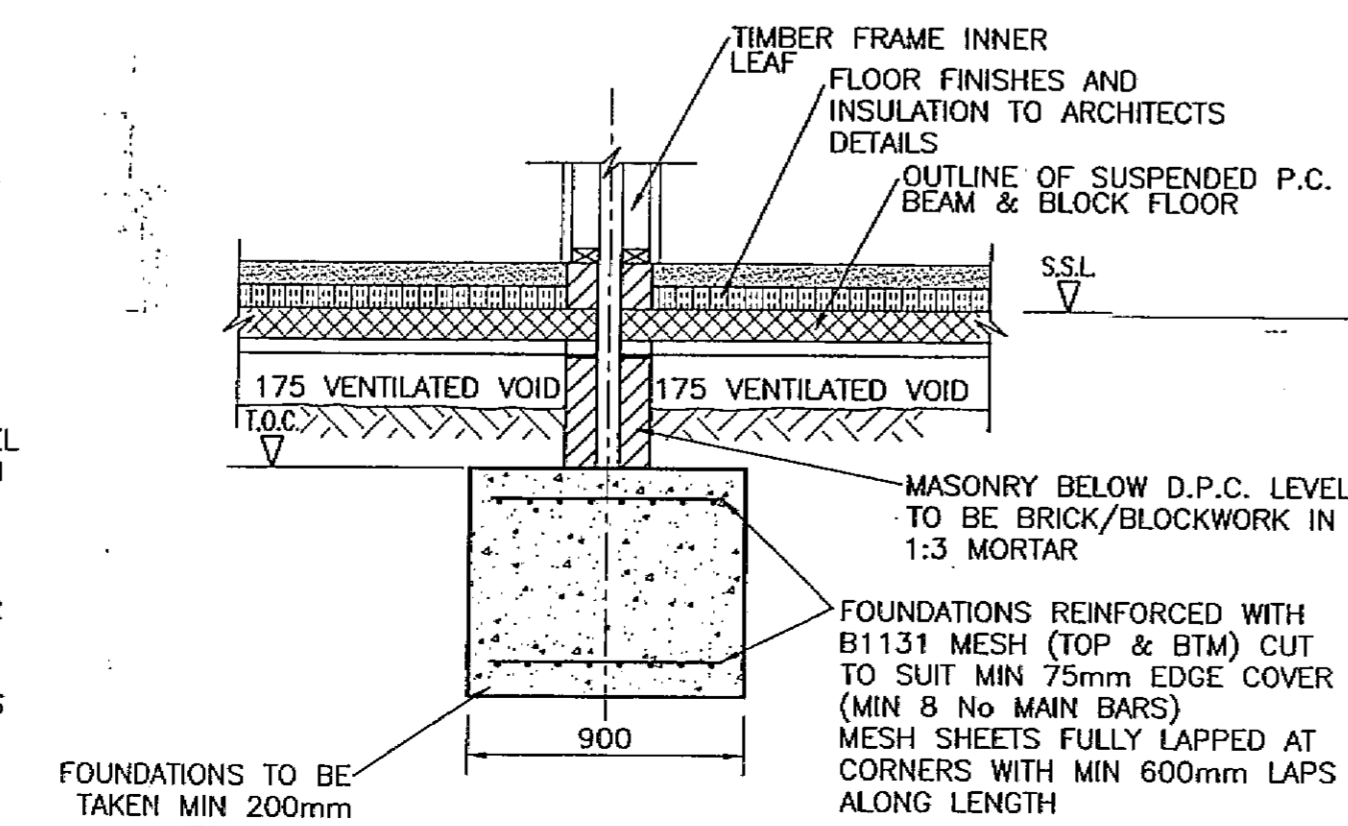
Typical Fixing Details For  
Steel Frame At Return Wall



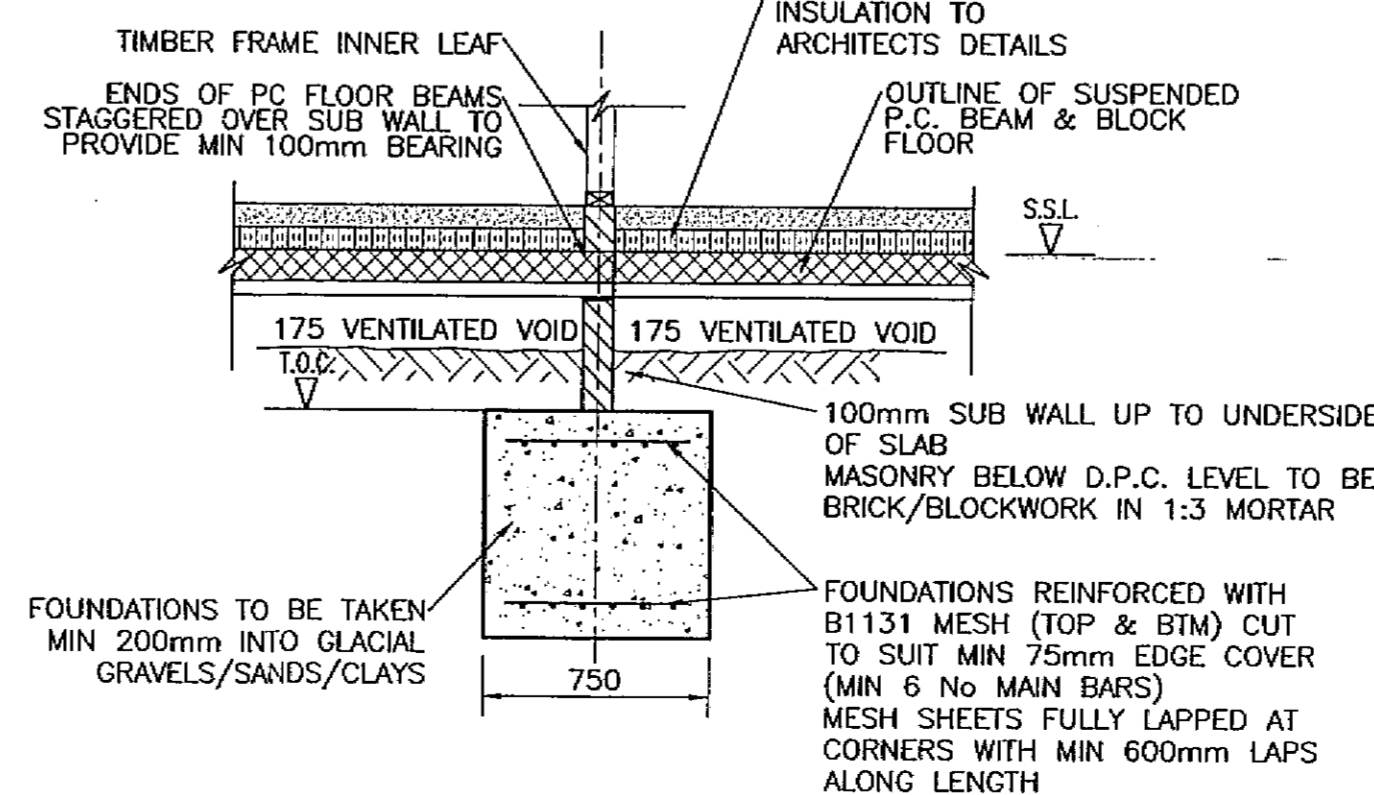
Elevation On Steel Frame  
At Return Wall



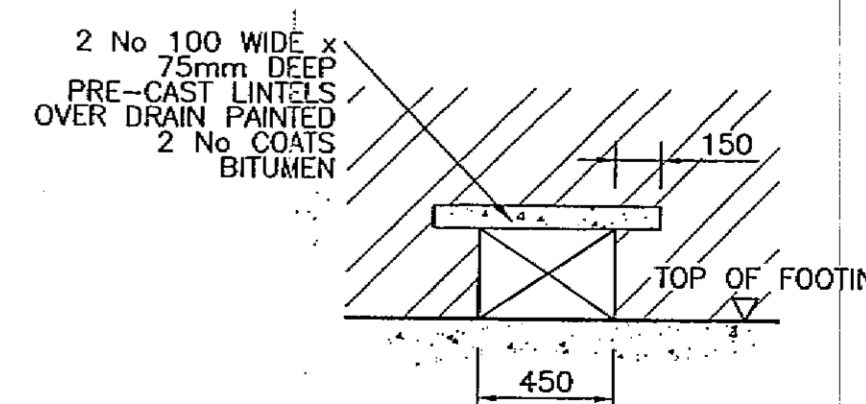
Section A-A



Section B-B



Section C-C



Typical Lintel  
Over Drainage Detail

- NOTES**
1. THIS DRAWING SHALL BE READ IN CONJUNCTION WITH ALL RELEVANT ENGINEERS AND ARCHITECTS DRAWINGS. ANY DISCREPANCIES FOUND BETWEEN INFORMATION SHOWN ON THIS OR ANY OTHER DRAWING SHALL BE REPORTED TO THE ENGINEER IMMEDIATELY AND PRIOR TO WORKS COMMENCING ON SITE.
  2. THE FOUNDATIONS ARE BASED ON INFORMATION ON GROUND CONDITIONS OBTAINED FROM THE SITE INVESTIGATION REPORT BY IAN FARMER ASSOCIATES - REPORT No 5831 DATED APRIL 2004. SUBSOIL BEARING STRATA = GLACIAL GRAVEL WITH AN ALLOWABLE BEARING PRESSURE VALUE OF 175kN/m<sup>2</sup>.
  3. MINIMUM FOUNDATION DEPTH IS TO BE 1200mm OR AS INDICATED ON THE DRAWINGS. FOUNDATIONS ARE TO EXTEND AT LEAST 600mm BELOW ANY ROOTS/SOFT AREAS ENCOUNTERED. FOUNDATIONS ARE TO EXTEND AT LEAST 300mm BELOW ANY EXISTING FOUNDATIONS WHICH ARE TO BE REMOVED. ALL EXCAVATIONS ARE TO BE CHECKED/APPROVED BY THE BUILDING INSPECTOR AND SITE INVESTIGATION FIRM PRIOR TO CONCRETING.
  4. CONCRETE DETAILS:- CLASS DS-1 SULPHATES/AC-1 REINFORCED CONCRETE TRENCH FILL FOOTINGS  
CONCRETE GRADE = C35  
MIN. CEMENT CONTENT = 300kg/m<sup>3</sup>  
MAX. WATER CEMENT RATIO = 0.6  
NOM. AGGREGATE SIZE = 20mm  
(ALTERNATIVE RC35 DESIGNATED MIX TO B.S. 5328)
  5. ALL BLOCKWORK BELOW D.P.C. TO BE MIN. 7.0N/mm<sup>2</sup> BLOCKS LAID IN 1:3 MORTAR (BLOCKS SUBJECT TO CONFIRMATION FROM MANUFACTURER OF SUITABILITY FOR USE BELOW D.P.C.) EXCEPT WHERE SHOWN. BRICKWORK BELOW D.P.C. TO HAVE MIN. 21 N/mm<sup>2</sup> CRUSHING STRENGTH LAID AS ABOVE.
  6. DIRECTION OF SPAN OF PRECAST BEAM AND BLOCK (WHERE APPLICABLE) FLOORING BY SPECIALIST SHOWN THUS:-  
  
LOADING ON P.C. GROUND FLOOR:-  
SCREED = 1.8kN/m<sup>2</sup>  
PARTITIONS = 0.5kN/m<sup>2</sup>  
IMPOSED = 1.5kN/m<sup>2</sup> (SHADED AREAS = 3.0kN/m<sup>2</sup>)
  7. SUB-FLOOR VOIDS TO BE VENTILATED AS INDICATED ON THE ARCHITECTS LAYOUT DETAILS.
  8. KEY TO ABBREVIATIONS:-  
FFL = FINISHED FLOOR LEVEL  
SSL = STRUCTURAL SLAB LEVEL  
TOC = TOP OF CONCRETE.
  9. ALL FOUNDATIONS ARE TO BE 600mm WIDE SET OUT CENTRALLY UNDER LOAD BEARING WALLS OVER UNLESS NOTED OTHERWISE.

B	DRAWING AMENDED TO SUIT LATEST ARCHITECTS LAYOUTS AND FOUNDATIONS ADDED TO SUIT TIMBER FRAME MANUFACTURERS REQUIREMENTS AND DRAWING STATUS AMEND TO FOR TENDER.	MAY'06 HCP
A	P/W SEWER ADJACENT TO BUILDING ADDED, OUTLINE OF EXISTING BUILDING/NOTES ADDED, STEEL POST DETAILS ADDED AND FOUNDATIONS/DRAWING AMENDED TO SUIT LATEST ARCHITECTS DRAWINGS.	JUN'05 HCP

REVISION STATUS

**FOR TENDER**

This drawing is the property and copyright of the Consulting Engineer and shall not without written consent be communicated to a third party.

CLIENT  
**McCANN HOMES LTD (EASTERN REGION)**

SITE  
**LEMSFORD LANE,  
WELWYN GARDEN CITY**

TITLE  
**Block 2  
Foundation Layout  
(Sheet 1 of 2)**

**SDP**  
CONSULTING ENGINEERS

Head Office, Suite 3, Salar House, Campfield Road, St Albans, Hertfordshire, AL1 3HT  
Tel: 01727 844606, Fax: 01727 830771  
Email: mail@sdpc.co.uk

Southern Office, 21a Baginbun, Christchurch, Dorset, BH23 1QD.  
Tel: 01202 490600, Fax: 01202 490601  
Email: sdpsouth@sdpc.co.uk

SCALE 1:50/25 @ A1	DRAWN HCP	DATE APR '05
DRAWING NO. E04-067-202	DESIGNED -	REV. B

