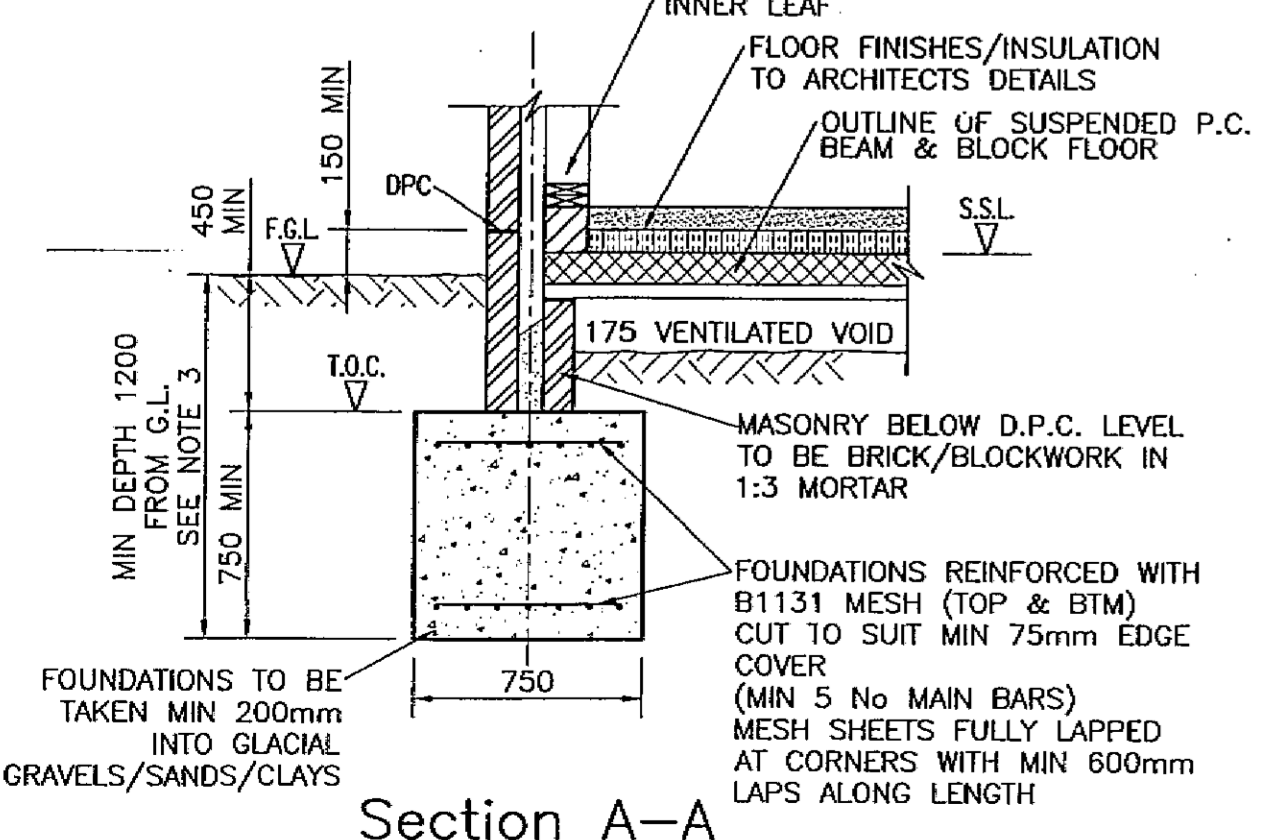
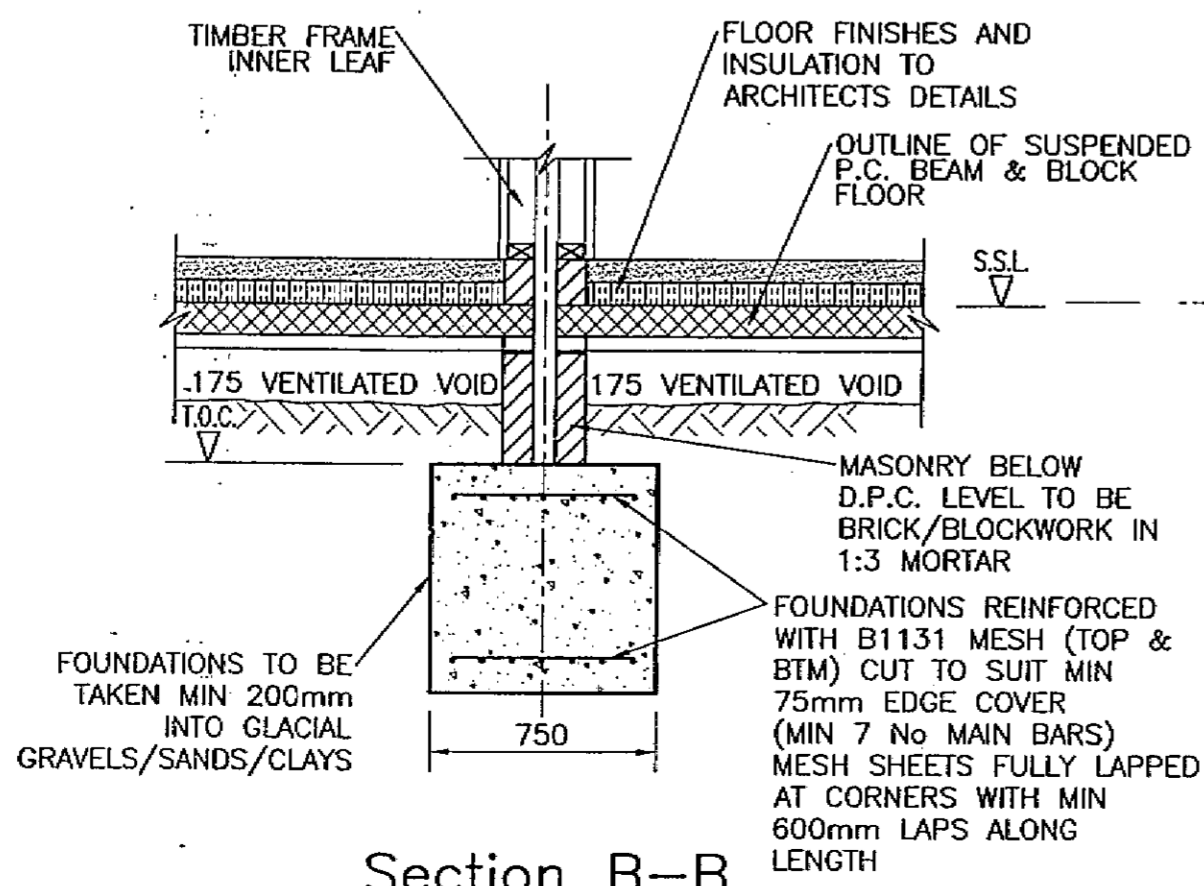


**BLOCK 1  
UNITS 4-5  
FOUNDATION LAYOUT**

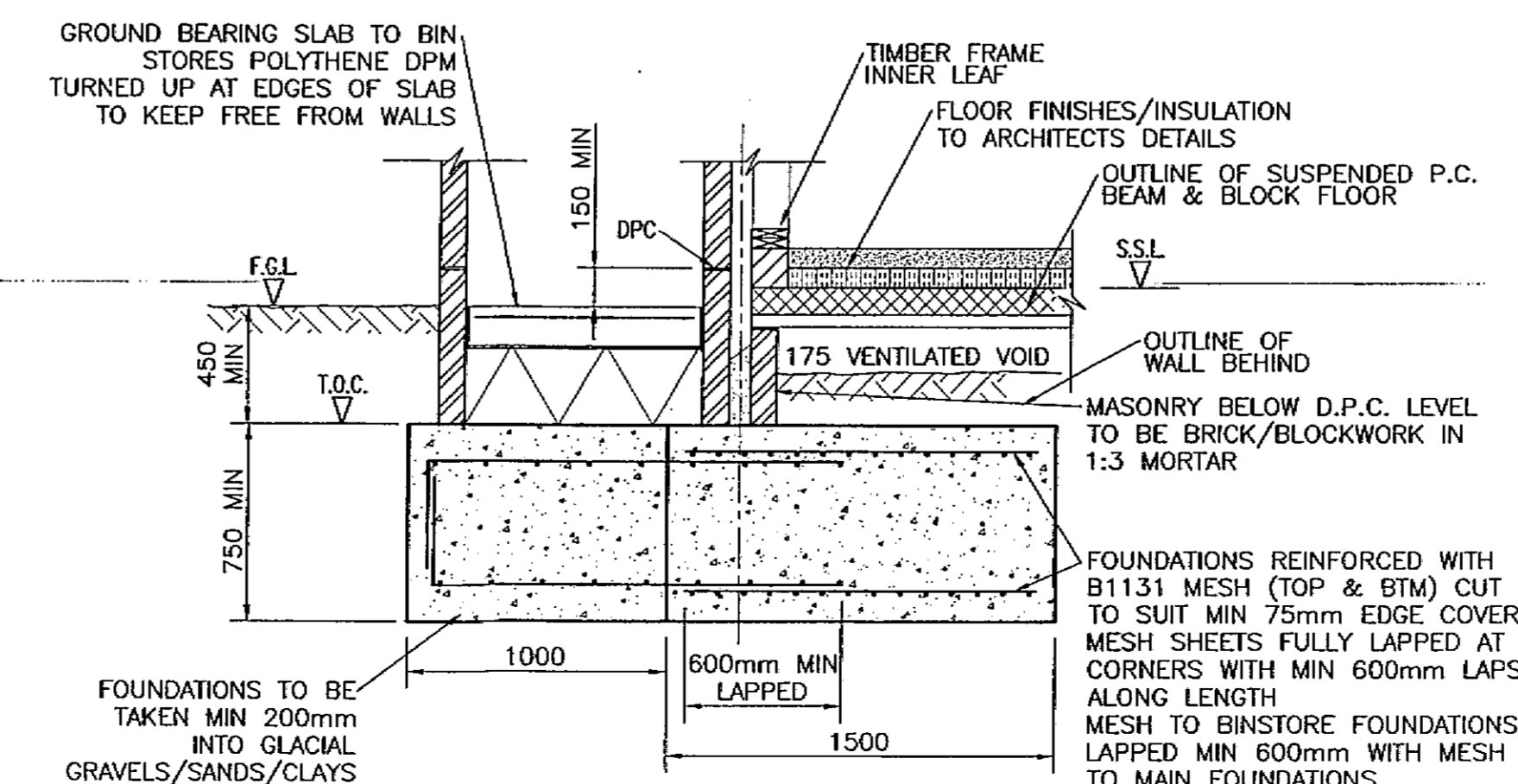
TOP OF CONCRETE SUBJECT TO DRAINAGE REQUIREMENTS



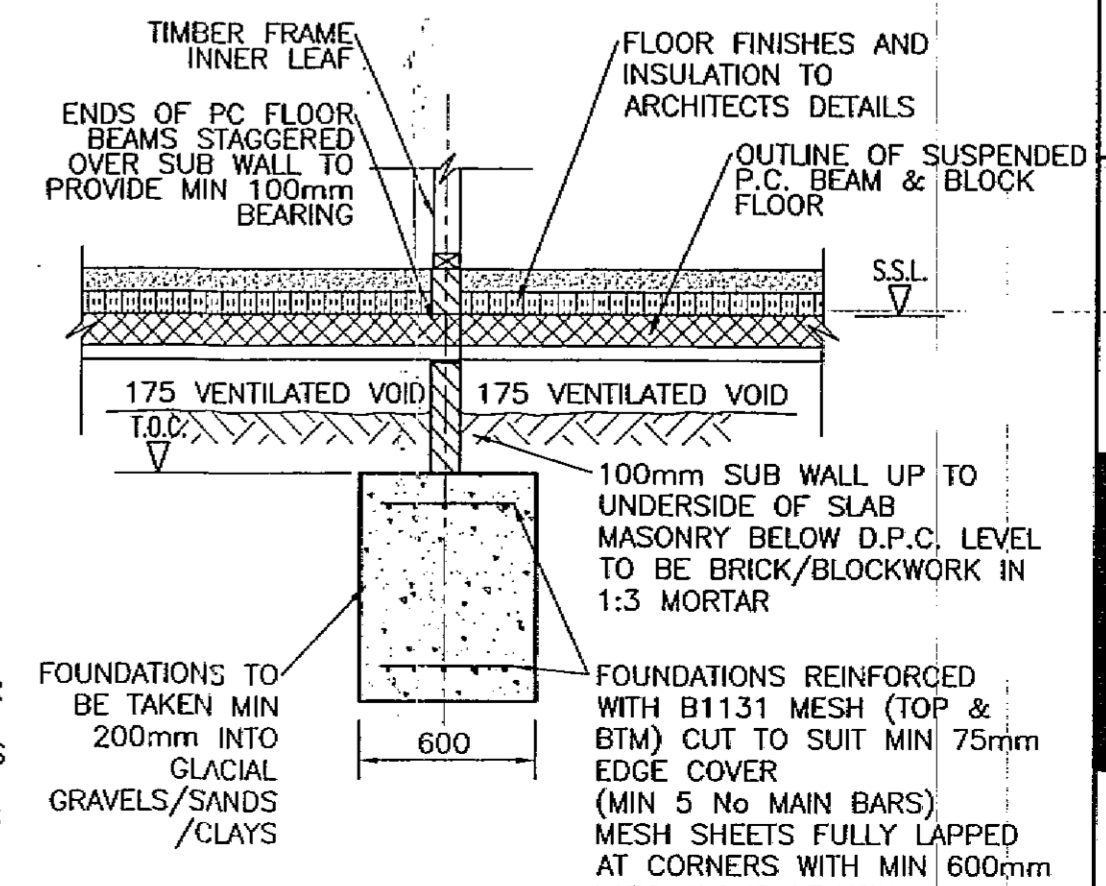
Section A-A



Section B-B



Section C-C

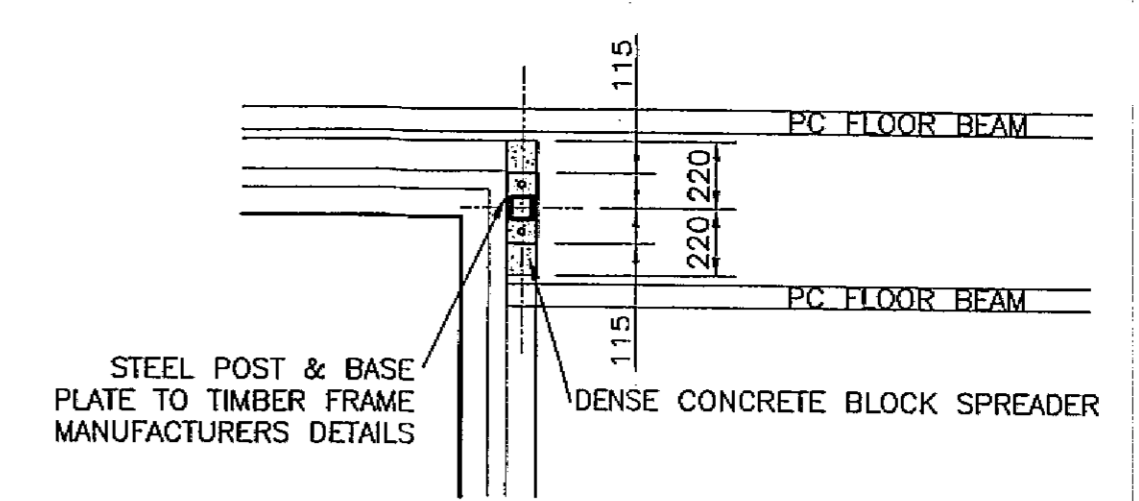


Section D-D

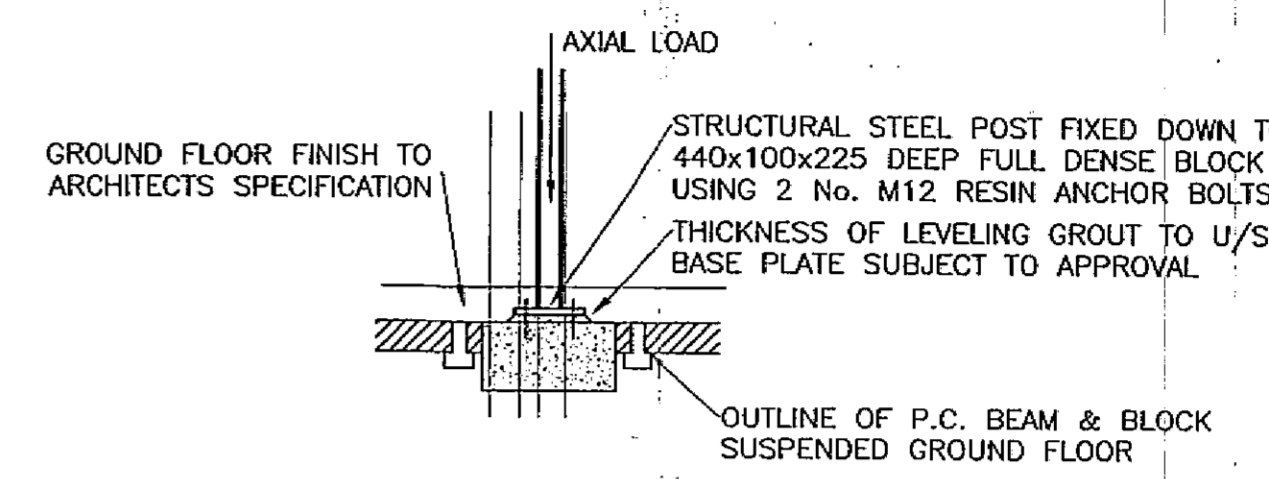
NOTE :- ALL FOUNDATIONS TO BE MIN 750mm THICK INSITU R.C. WITH B1131 MESH TOP / BTM EXCEPT WHERE SHOWN OTHERWISE. WHERE SOFT AREAS OF SUBSOIL ARE ENCOUNTERED EXCAVATE DOWN TO DENSE SAND/GRAVELS AND BACKFILL WITH MASS CONCRETE UP TO U/S OF R.C. FOUNDATION

NOTE :- FOUNDATIONS SUBJECT TO COMMENTS/APPROVAL BY LOCAL AUTHORITY REGARDING POSSIBLE SOLUTION FEATURES

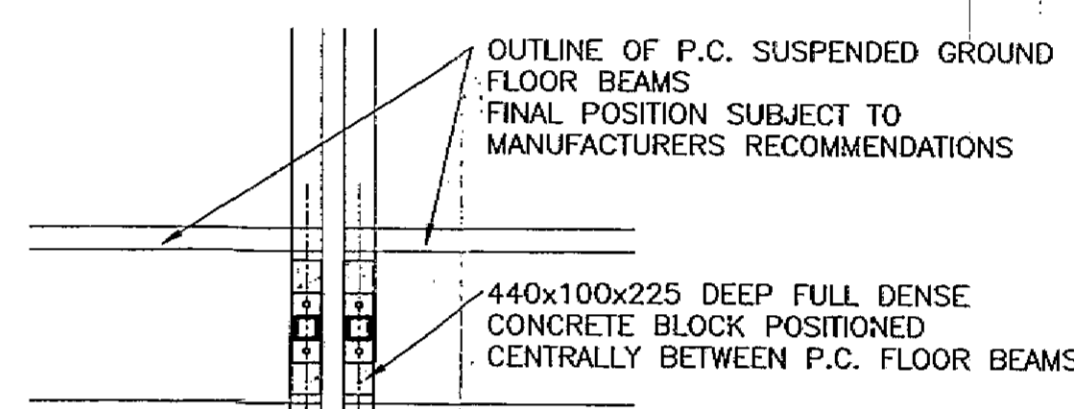
NOTE :- SIDES OF FOUNDATIONS MAY NEED TEMPORARY SUPPORT DUT TO NATURE OF GROUND IN ACCORDANCE WITH S.I. REPORT



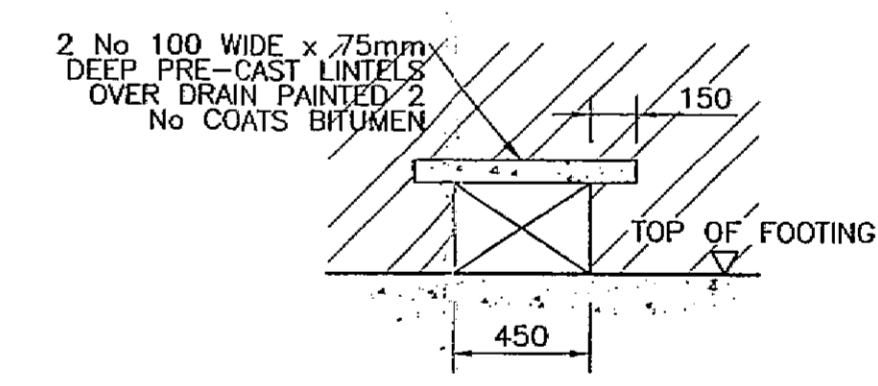
Typical Fixing Details For Steel Frame At Return Wall



Elevation On Steel Frame At Return Wall



Typical Fixing Details For Steel Frame At Party Wall



Typical Lintel Over Drainage Detail

- NOTES
1. THIS DRAWING SHALL BE READ IN CONJUNCTION WITH ALL RELEVANT ENGINEERS AND ARCHITECTS DRAWINGS. ANY DISCREPANCIES FOUND BETWEEN INFORMATION SHOWN ON THIS OR ANY OTHER DRAWING SHALL BE REPORTED TO THE ENGINEER IMMEDIATELY AND PRIOR TO WORKS COMMENCING ON SITE.
  2. THE FOUNDATIONS ARE BASED ON INFORMATION ON GROUND CONDITIONS OBTAINED FROM THE SITE INVESTIGATION REPORT BY 'AN FARMER ASSOCIATES - REPORT No 5831 DATED APRIL 2004. SUBSOIL BEARING STRATA = GLACIAL GRAVEL WITH AN ALLOWABLE BEARING PRESSURE VALUE OF 175kN/m<sup>2</sup>.
  3. MINIMUM FOUNDATION DEPTH IS TO BE 1200mm OR AS INDICATED ON THE DRAWINGS. FOUNDATIONS ARE TO EXTEND AT LEAST 600mm BELOW ANY ROOTS/SOFT AREAS ENCOUNTERED. FOUNDATIONS ARE TO EXTEND AT LEAST 300mm BELOW ANY EXISTING FOUNDATIONS WHICH ARE TO BE REMOVED. ALL EXCAVATIONS ARE TO BE CHECKED/APPROVED BY THE BUILDING INSPECTOR AND SITE INVESTIGATION FIRM PRIOR TO CONCRETING.
  4. CONCRETE DETAILS:- CLASS DS-1 SULPHATES/AC-1 REINFORCED CONCRETE TRENCH FILL FOOTINGS  
CONCRETE GRADE = C35  
MIN. CEMENT CONTENT = 300kg/m<sup>3</sup>  
MAX. WATER CEMENT RATIO = 0.6  
NOM. AGGREGATE SIZE = 20mm  
(ALTERNATIVE RC35 DESIGNATED MIX TO B.S. 5328)
  5. ALL BLOCKWORK BELOW D.P.C. TO BE MIN. 7.0N/mm<sup>2</sup> BLOCKS LAD IN 1:3 MORTAR (BLOCKS SUBJECT TO CONFIRMATION FROM MANUFACTURER OF SUITABILITY FOR USE BELOW D.P.C.) EXCEPT WHERE SHOWN. BRICKWORK BELOW D.P.C. TO HAVE MIN. 21 N/mm<sup>2</sup> CRUSHING STRENGTH LAD AS ABOVE.
  6. DIRECTION OF SPAN OF PRECAST BEAM AND BLOCK (WHERE APPLICABLE) FLOORING BY SPECIALIST SHOWN THUS:-
  - LOADING ON P.C. GROUND FLOOR:-  
SCREENED = 1.5kN/m<sup>2</sup>  
PARTITIONS = 1.0kN/m<sup>2</sup>  
IMPOSED = 1.5kN/m<sup>2</sup>
  7. SUB-FLOOR VOIDS TO BE VENTILATED AS INDICATED ON THE ARCHITECTS LAYOUT DETAILS.
  8. KEY TO ABBREVIATIONS:-  
FFL = FINISHED FLOOR LEVEL  
SSL = STRUCTURAL SLAB LEVEL  
TOC = TOP OF CONCRETE.
  9. ALL FOUNDATIONS ARE TO BE 600mm WIDE SET OUT CENTRALLY UNDER LOAD BEARING WALLS OVER UNLESS NOTED OTHERWISE.

REVISION	STATUS	DATE
B	DRAWING AMENDED TO SUIT LATEST ARCHITECTS LAYOUTS AND FOUNDATIONS ADDED TO SUIT TIMBER FRAME MANUFACTURERS REQUIREMENTS AND DRAWING STATUS AMENDED TO 'FOR TENDER'.	MAY'06 HCP
A	OUTLINE OF EXISTING BUILDING/NOTES ADDED, RETAINING WALL DETAIL ADDED, STEEL POST DETAILS ADDED AND FOUNDATIONS/DRAWING AMENDED TO SUIT LATEST ARCHITECTS DRAWINGS.	JUN'05 HCP

FOR TENDER

This drawing is the property and copyright of the Consulting Engineer and shall not without written consent be communicated to a third party.

CLIENT  
McCANN HOMES LTD (EASTERN REGION)

SITE  
LEMSFORD LANE,  
WELWYN GARDEN CITY

TITLE  
Block 1  
Foundation Layout  
(Sheet 2 of 2)

**SDP**  
CONSULTING ENGINEERS

Head Office, Suite 3, Salar House, Campfield Road, St Albans, Hertfordshire, AL1 1SE  
Tel. 01727 844666, Fax. 01727 830771  
Email. mail@sdpc.co.uk

Southern Office, 21a Burgess, Churchfields, Dorset, BH23 1QD.  
Tel. 01202 496600, Fax. 01202 496601  
Email. sdpsouth@sdpc.co.uk

SCALE	DRAWN	DATE
1:50/25 @ A1	HCP	APR '05
DRAWING NO.	REV.	
E04-067-201	B	