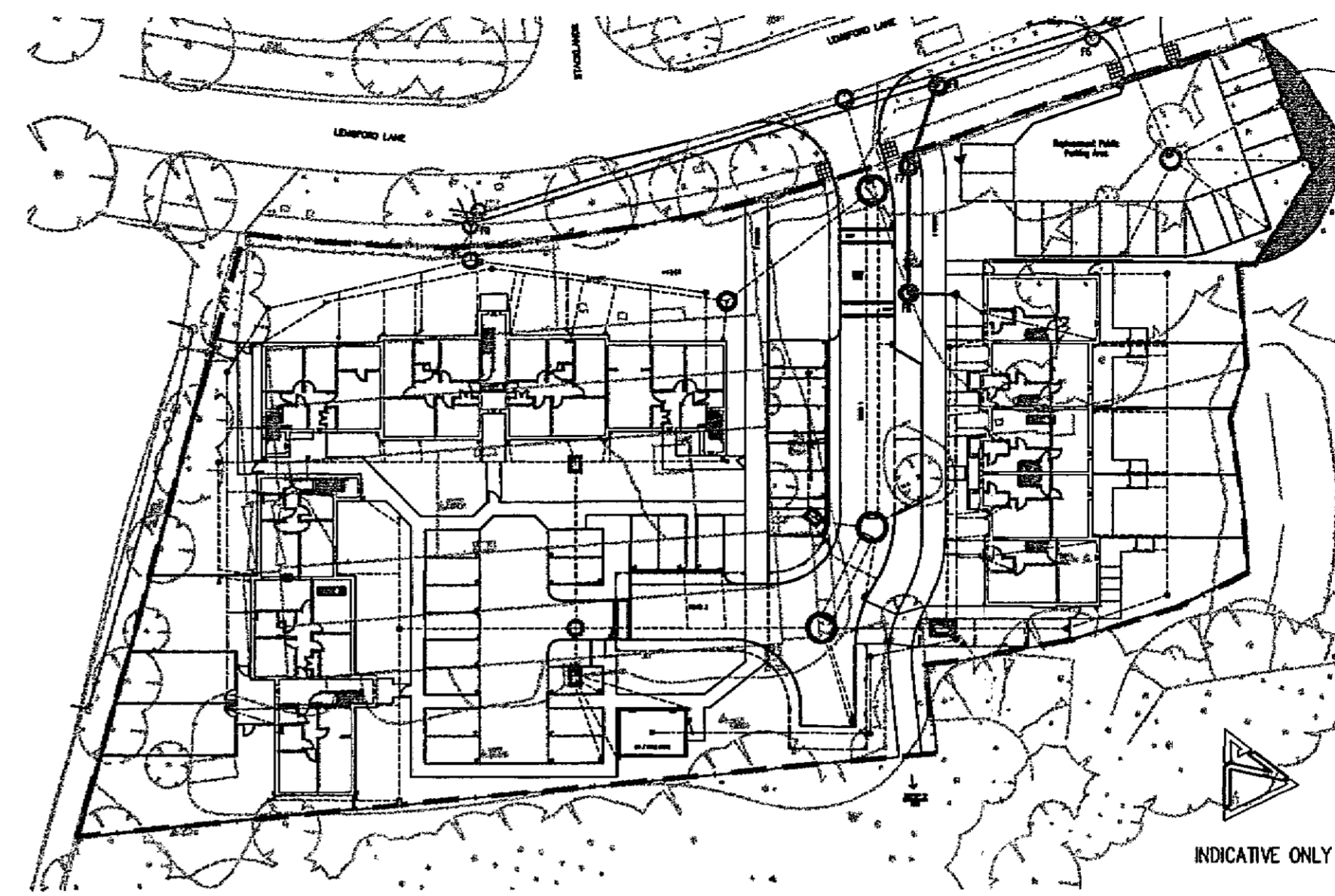
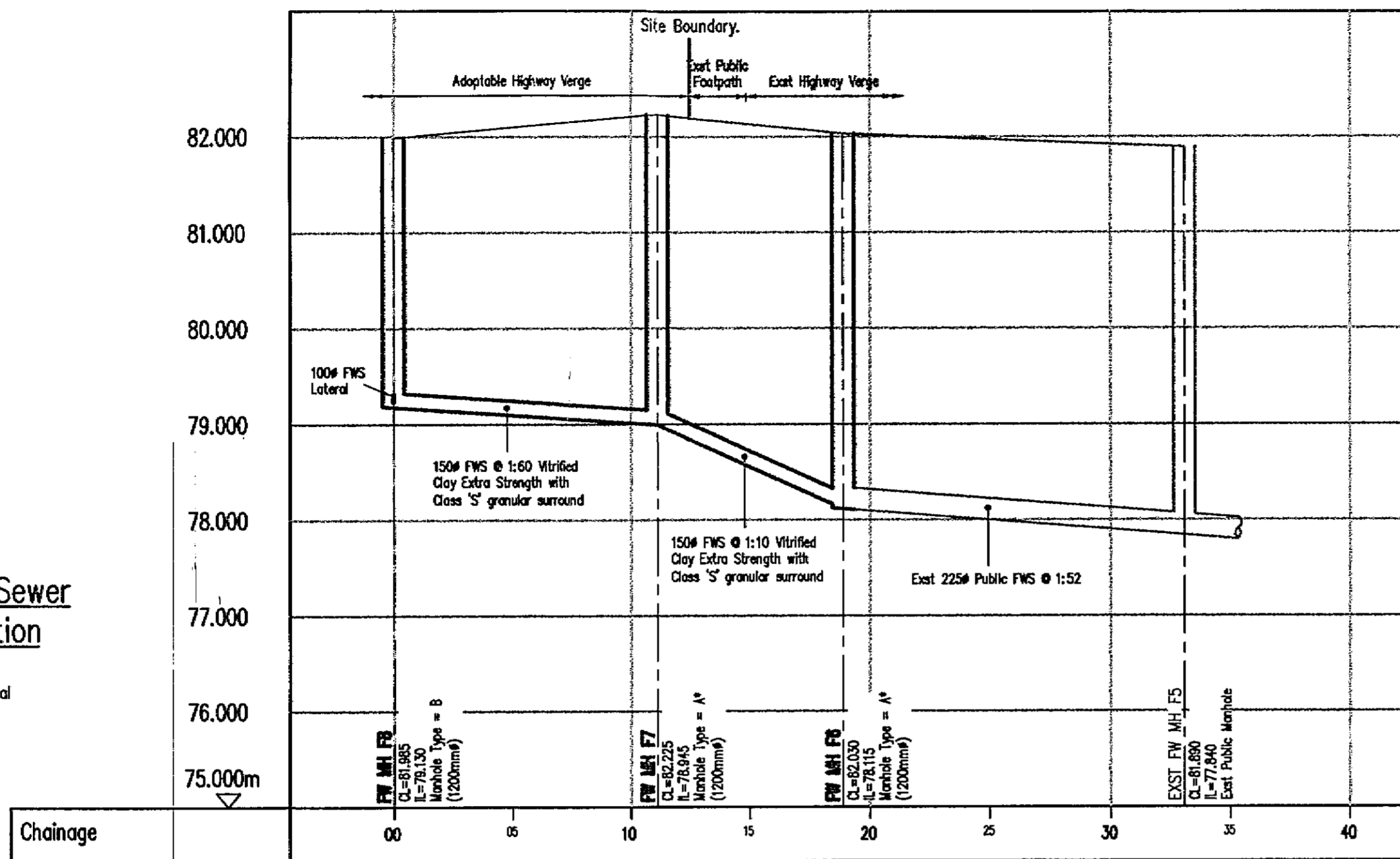


**S.104 Foul Sewer Long Section**

Scale  
1:200 Horizontal  
1:50 Vertical



Plan  
SCALE = 1:500

**Legend**

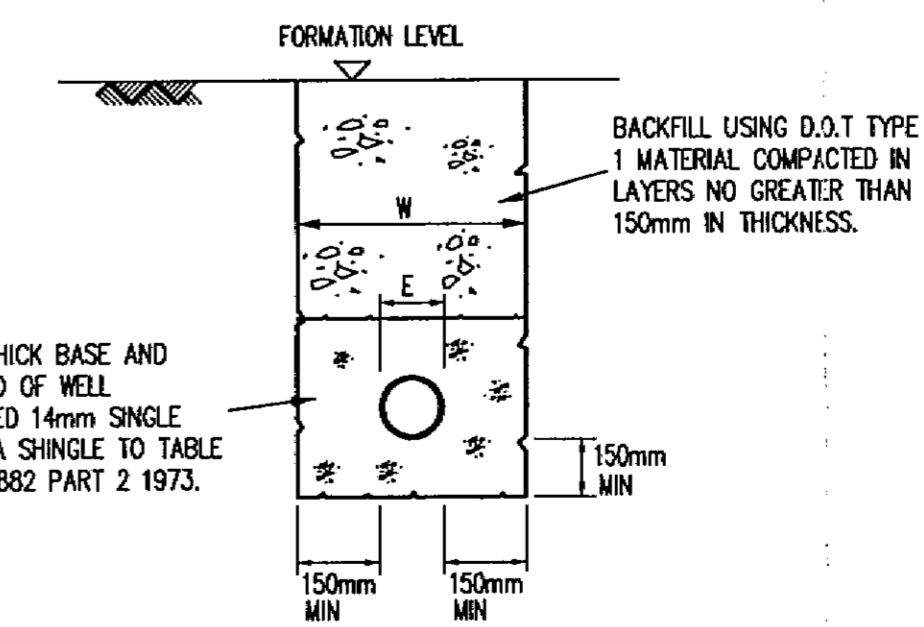
- EXISTING PUBLIC FOUL WATER SEWER AND MANHOLE
- EXISTING PUBLIC SURFACE WATER SEWER AND MANHOLE
- FOUL WATER SEWER AND MANHOLE TO BE ADOPTED UNDER SECTION 104 AGREEMENT
- FOUL WATER LATERAL AND UPSTREAM DEMARCATION CHAMBER TO BE ADOPTED UNDER SECTION 104 AGREEMENT
- SURFACE WATER SEWER AND MANHOLE
- ROAD GULLY (150# OUTLET PIPE)
- SITE BOUNDARY

**Manhole Type Key**

- A\* 1200MM# PRECAST CONCRETE RING SECTIONS (3-6m TO PIPE SOFFIT)
- B 1200MM# PRECAST CONCRETE RING SECTIONS (3m MAX TO PIPE SOFFIT)

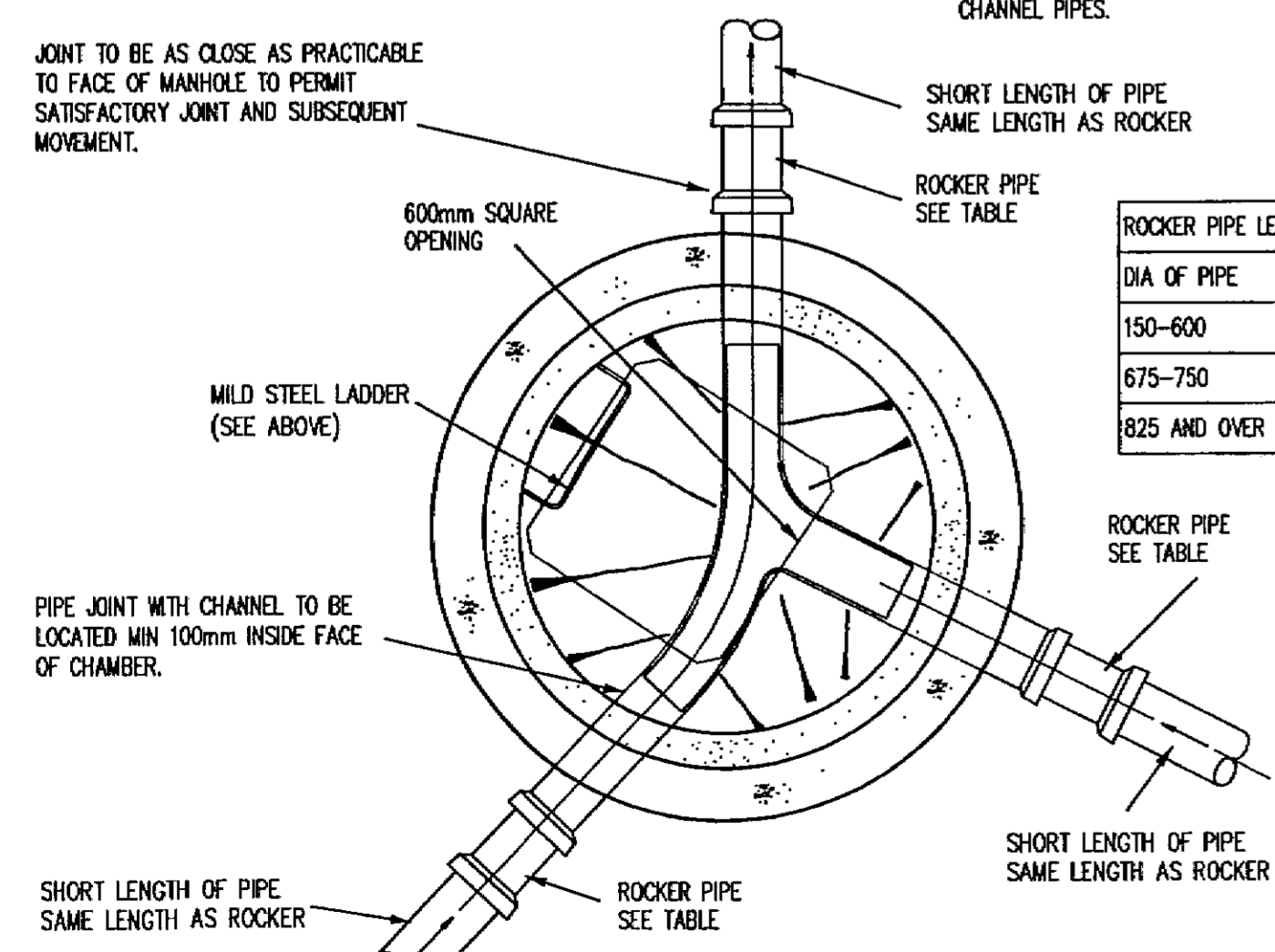
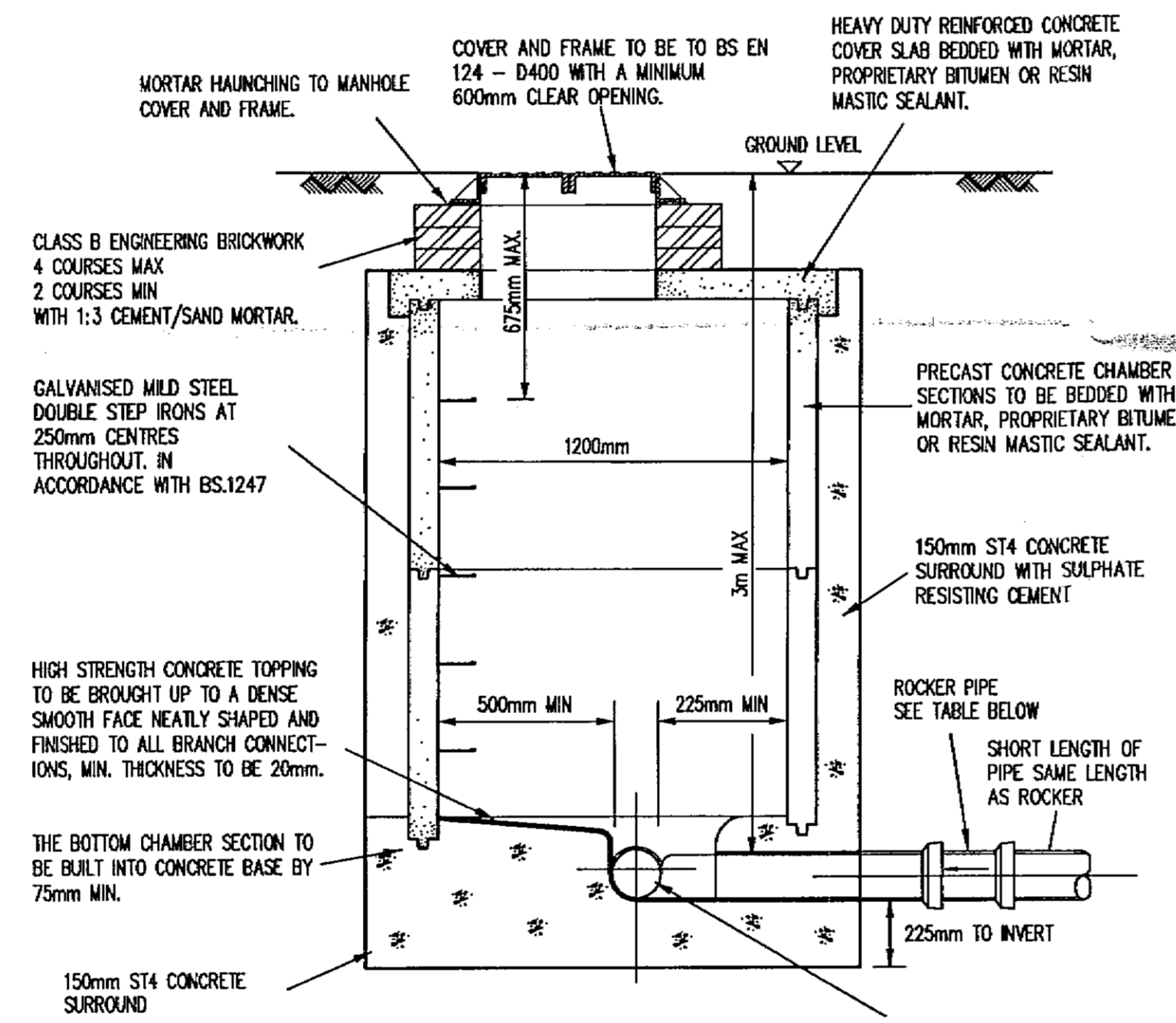
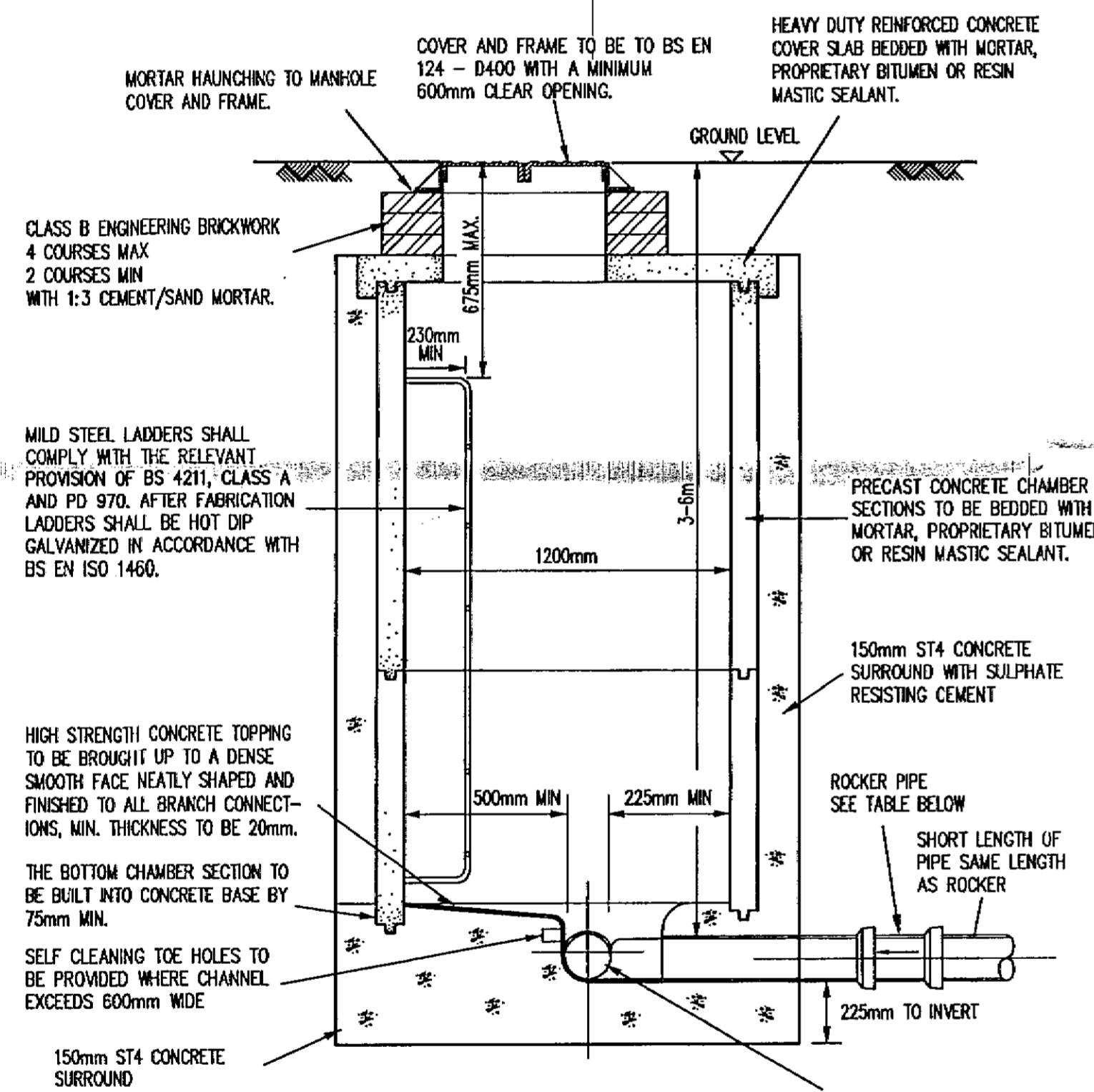
Ref.	Cover	Invert	Type	Remarks
F5	81.890	77.840	-	EXISTING FW MANHOLE
F6	82.030	78.115	1200mm# TYPE A*	NEW MANHOLE ON EXIST FWS
F7	82.225	78.945	1200mm# TYPE A*	
F8	81.985	79.130	1200mm# TYPE B	

Ref.	Pipe Size	Gradient	Length	Sewer Type
F7-F6	150mm#	1:10	7.8m	FWS
F8-F7	150mm#	1:60	11.5m	FWS

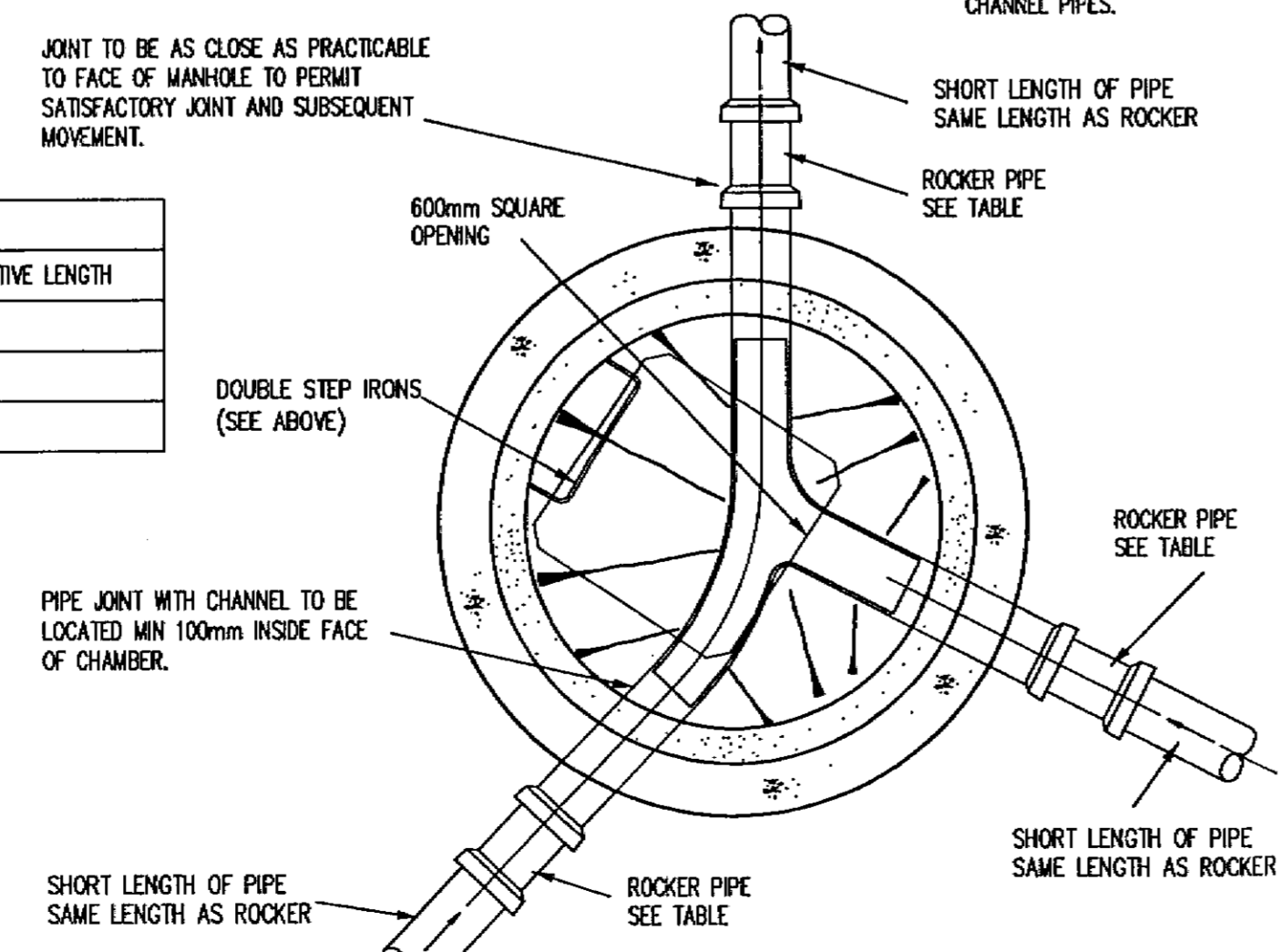


**Class S Pipe Bedding Detail**  
Scale 1:20

NOTE - TRENCH WIDTH (W) =  
MAXIMUM - EXTERNAL PIPE DIAMETER (E) + 600mm  
MINIMUM - EXTERNAL PIPE DIAMETER (E) + 300mm



**Manhole Type A\***  
Scale 1:20



**Manhole Type B**  
Scale 1:20

- NOTES**
- THIS DRAWING SHALL BE READ IN CONJUNCTION WITH ALL RELEVANT ENGINEER'S DRAWINGS. ANY DISCREPANCIES FOUND BETWEEN INFORMATION SHOWN ON THIS OR ANY OTHER DRAWING SHALL BE REPORTED TO THE ENGINEER IMMEDIATELY AND PRIOR TO ANY WORKS COMMENCING ON SITE.
  - ALL ADOPTABLE DRAINAGE WORKS SHALL BE UNDERTAKEN STRICTLY IN ACCORDANCE WITH "SEWERS FOR ADOPTION" (5TH EDITION)
  - ALL CONNECTIONS TO ADOPTABLE MANHOLES SHALL BE VITRIFIED CLAY (EXTRA STRENGTH) AND BE 150mm DIA MIN. REFER TO SITE AND DRAINAGE LAYOUT PLANS FOR ACTUAL SIZES.
  - ALL ADOPTABLE CONCRETE PIPELINES TO BE CLASS H AND VITRIFIED CLAY PIPELINES TO BE EXTRA STRENGTH
  - ALL CONCRETE AT OR BELOW GROUND LEVEL ON SITE SHALL BE ABLE TO WITHSTAND CLASS DS-1 / AC-1 SULPHATE CONCENTRATIONS IN ACCORDANCE WITH THE BRE DIGEST 363.
  - ALL ADOPTABLE DRAINAGE BRICKWORK SHALL BE CONSTRUCTED USING ENGLISH BOND.
  - ALL NEW ADOPTABLE PUBLIC MANHOLES TO BE ADOPTED BY THAMES WATER SHALL BE BADGED FW.
  - ALL FILL MATERIAL TO DRAINAGE PIPEWORK, SERVICE TRENCHES AND AROUND MANHOLES SHALL BE DOT TYPE 1 ONLY.

REV	DATE	DESCRIPTION	BY	CHK
A	Aug '06	SITE BOUNDARY AMENDED TO SUIT CO-ORDINATES FROM SHP DRAWING SW1062-109 Rev K AS REQUESTED BY McCANN HOMES.		HCP

**SUBJECT TO TECHNICAL APPROVAL**

This drawing is the property and copyright of the Consulting Engineer and shall not without written consent be communicated to a third party.

CLIENT  
**McCANN HOMES Ltd (EASTERN REGION)**

SITE  
**LEMSFORD LANE  
WELWYN GARDEN CITY**

TITLE  
**S.104 Agreement Details  
(Foul Water Only)**

**SDP CONSULTING ENGINEERS**

Head Office, Suite 3, Salar House, Campfield Road, St Albans, Hertfordshire AL1 5HT  
Tel. 01727 846606, Fax: 01727 830771  
Email: mail@sdpec.co.uk

Southern Office, 21a Burgess, Christchurch, Dorset BH23 1QD  
Tel. 01202 490600, Fax: 01202 490601  
Email: sdpsouth@sdpec.co.uk

SCALE	DRAWN	DATE
SEE DWG @ A1	AJV	July 2006
CHECKED	DATE	REV.
PB		A

DRAWING NO. **E04-067-118**