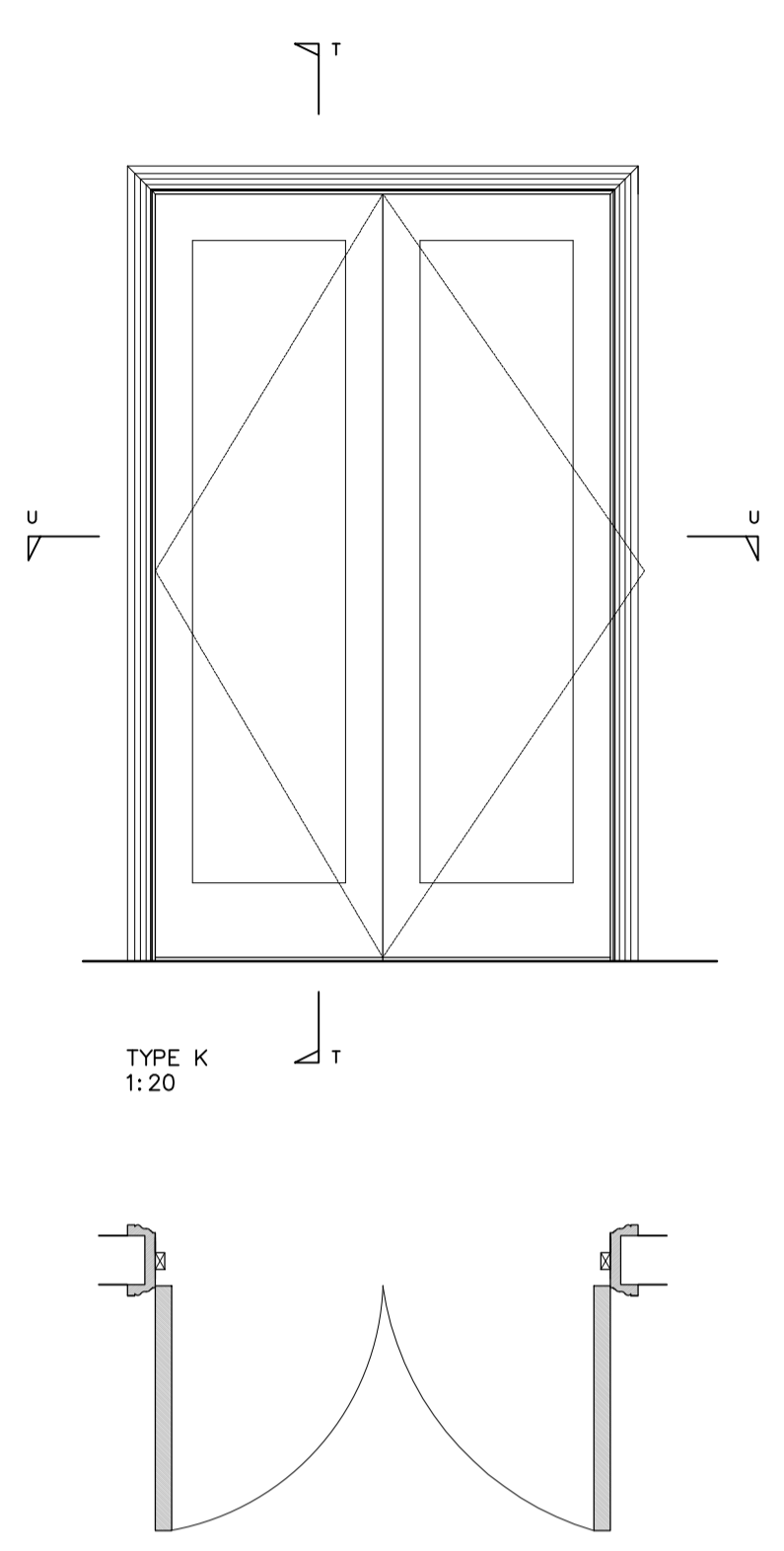
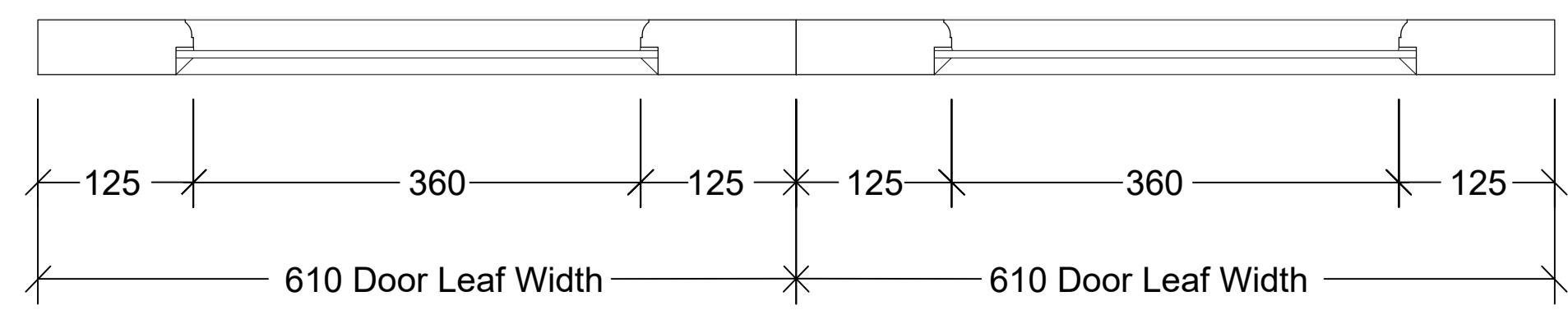


Section T-T
1:5



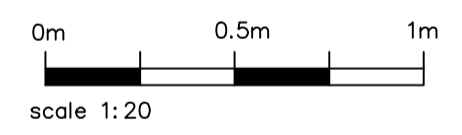
TYPE K
1:20



Section U-U
1:5

NOTE: All measurements to be checked on site

Where possible details are to match existing



scale 1:20



scale 1:5

revision	description	date

Client:	LW Developments		
Job Title:	Northaw House		
Drawing Title:	Door Details - Internal		
Scale:	1:20	1:5	A2
Drawn By:	LS		Date:
Job Number:	6717	Drawing Number:	73
Status:	Feb 2023		
	For Approval		



Chartered Architects & Chartered Building Surveyors
Unit 12 Park Farm, Fornham St Genevieve, Bury St Edmunds, IP28 6TS
01284 760421 info@whitworth.co.uk www.whitworth.co.uk

NOTE:
Do not scale from this drawing. Confirm all dimensions on site. Refer any discrepancies to the Architect before work is put in hand. Read this drawing in conjunction with the relevant sections of the specification, schedule of works and other drawings.

This drawing is copyright of whitworth.