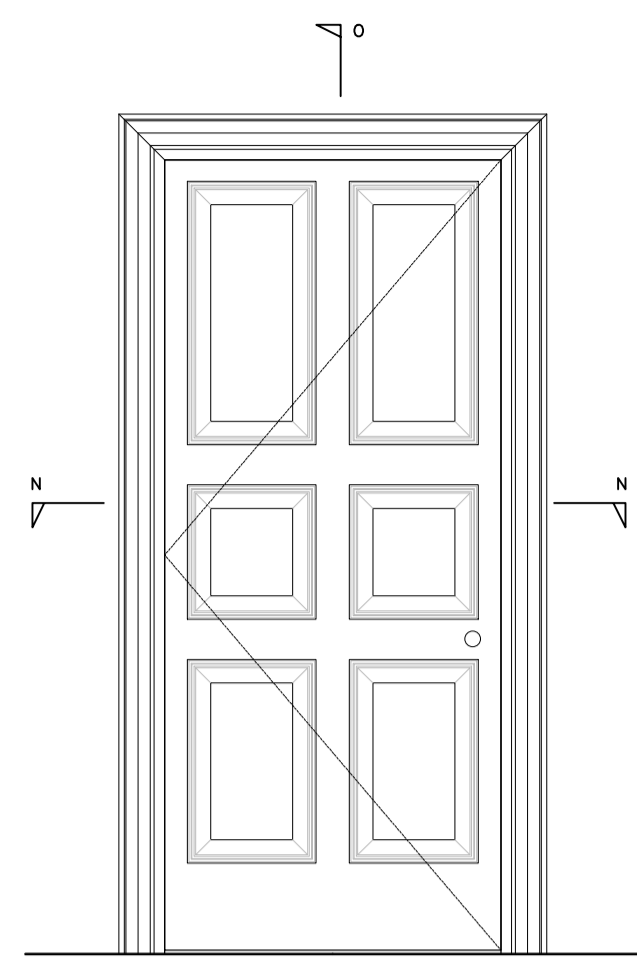
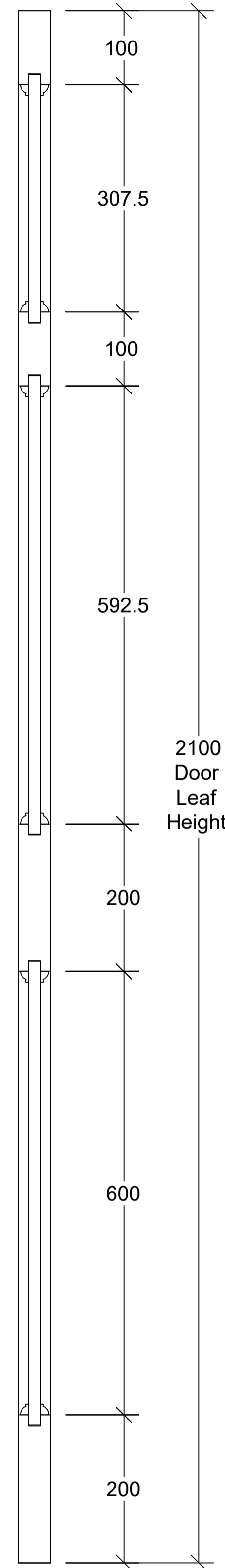
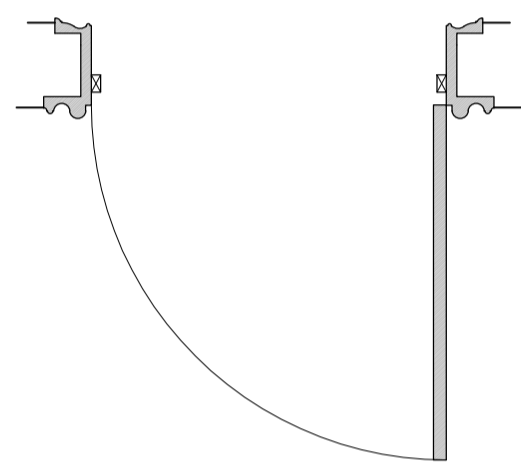


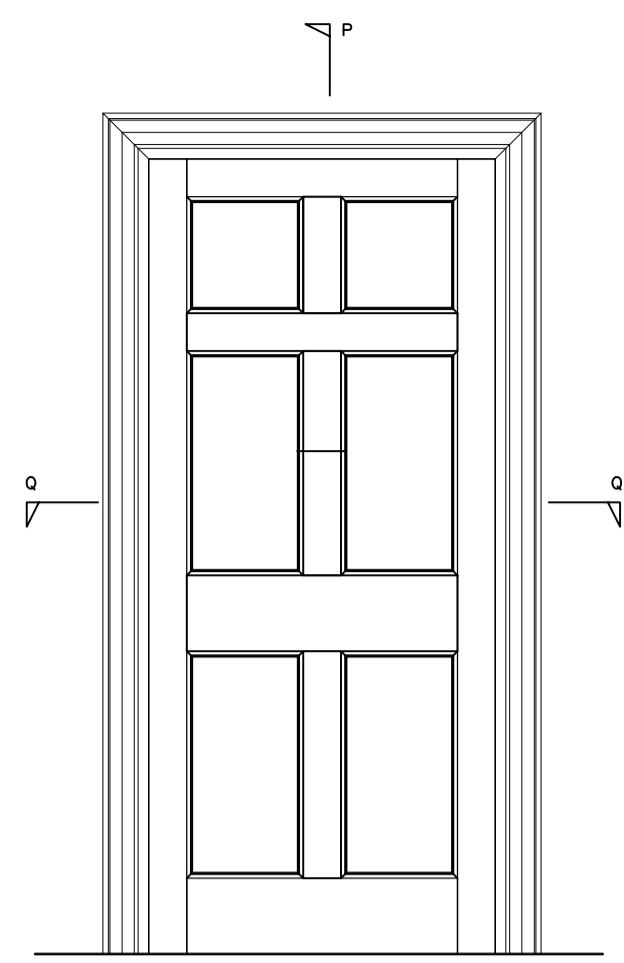
Section O-O  
1:5



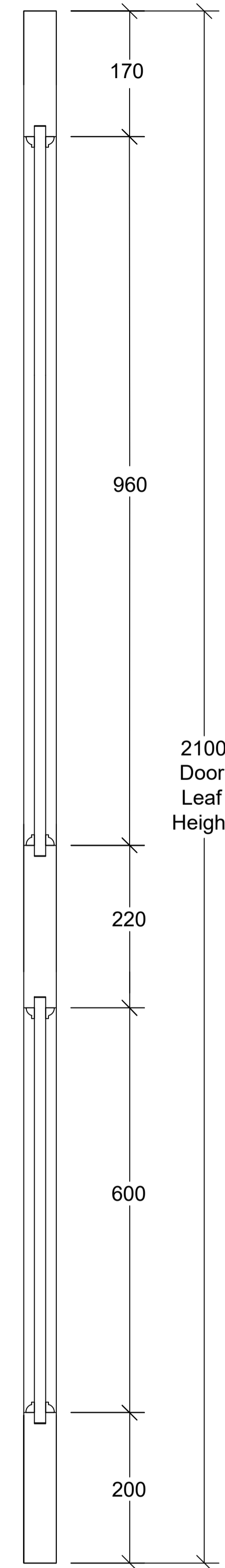
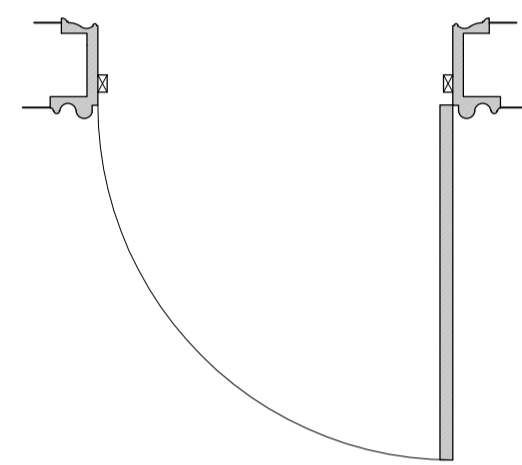
TYPE G  
1:20



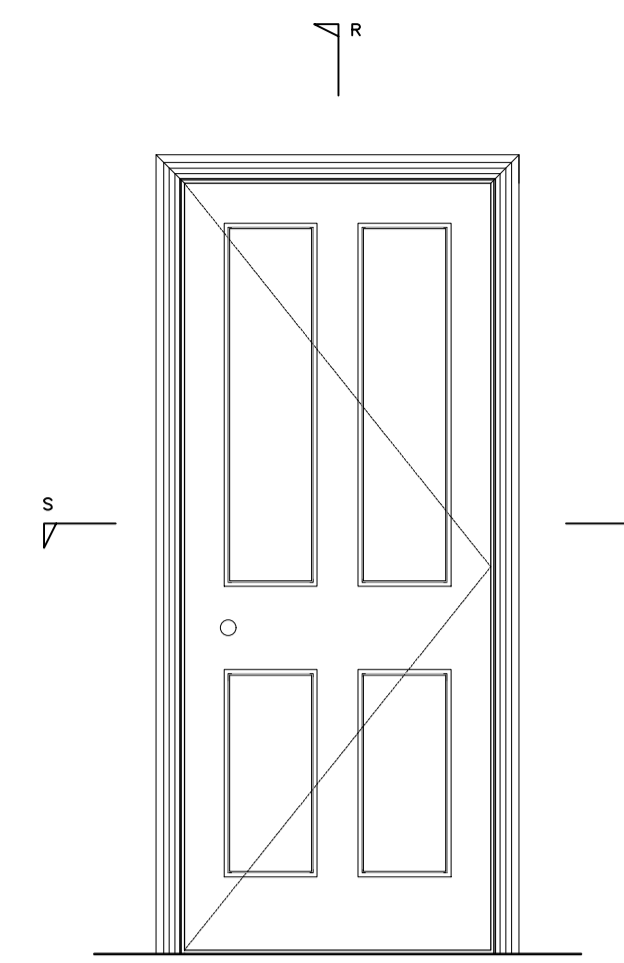
Section P-P  
1:5



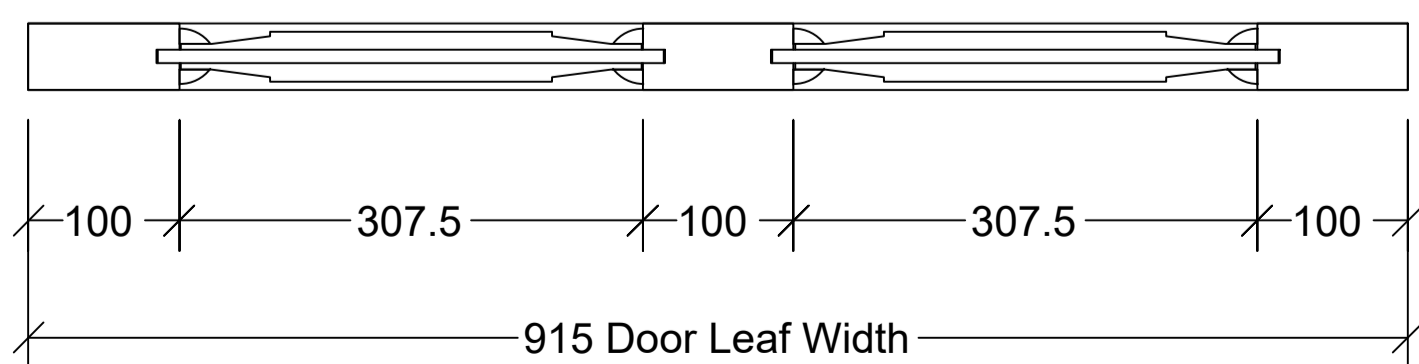
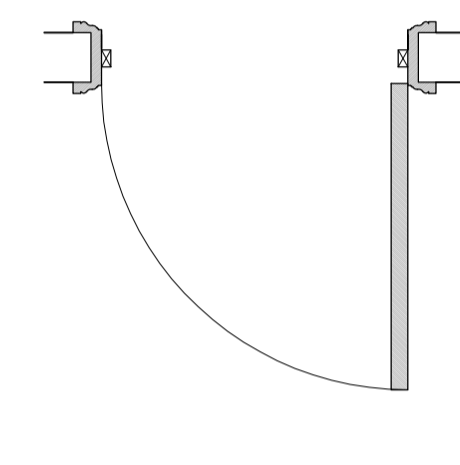
TYPE H  
1:20



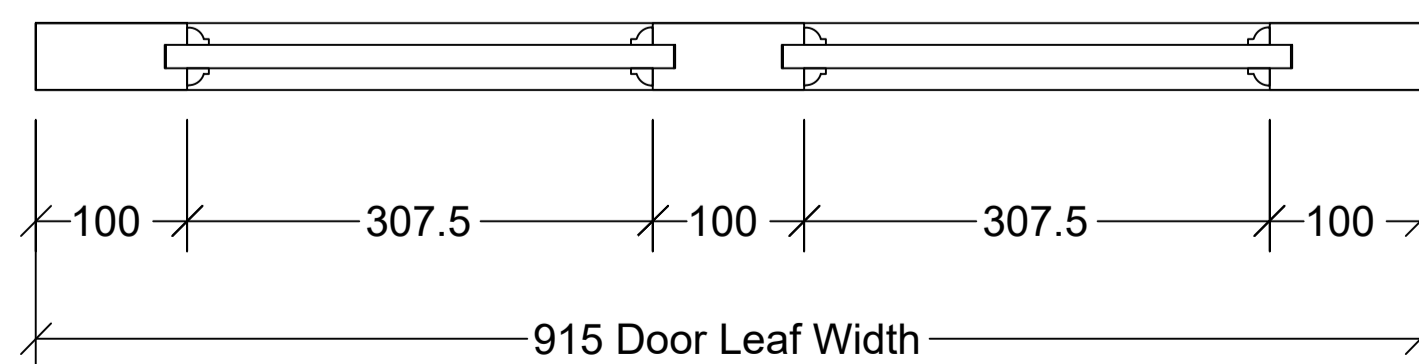
Section R-R  
1:5



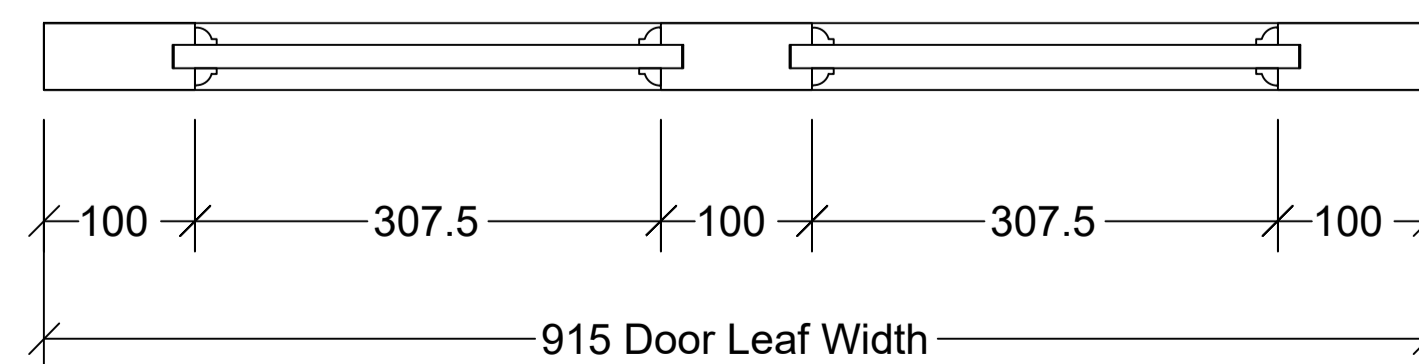
TYPE J  
1:20



Section N-N  
1:5



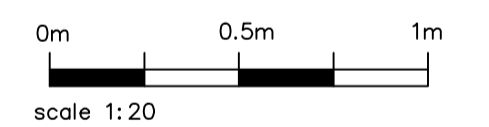
Section Q-Q  
1:5



Section S-S  
1:5

NOTE: All measurements to be checked on site

Where possible details are to match existing



scale 1:20



scale 1:5

revision description date

Client: LW Developments

Job Title: Northaw House

Drawing Title: Door Details - Internal

Scale: 1:20 1:5 A1 LS Date: Feb 2023

Job Number: 6717 Drawing Number: 72 Status: For Approval

**whitworth**

Chartered Architects & Chartered Building Surveyors  
Unit 12 Park Farm, Fornham St Genevieve, Bury St Edmunds, IP28 6TS  
01284 780421 info@whitworth.co.uk www.whitworth.co.uk

NOTE:  
Do not scale from this drawing. Confirm all dimensions on site. Refer any discrepancies to the Architect before work is put in hand. Read this drawing in conjunction with the relevant sections of the specification, schedule of works and other drawings.

This drawing is copyright of whitworth.