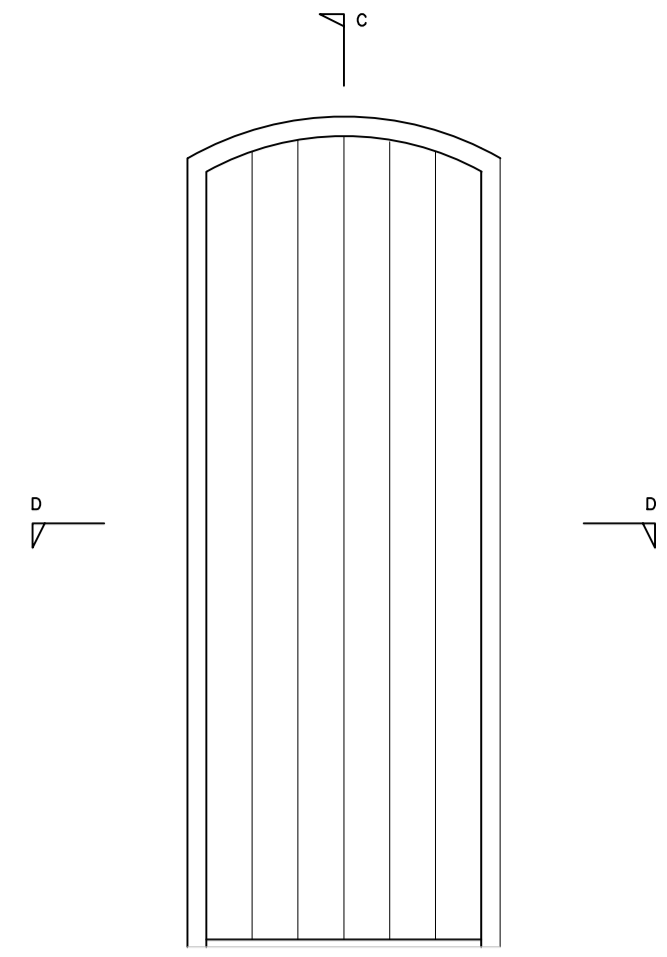
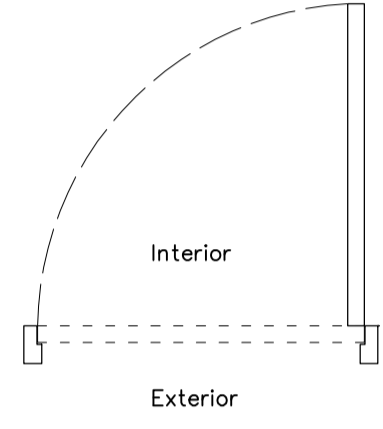
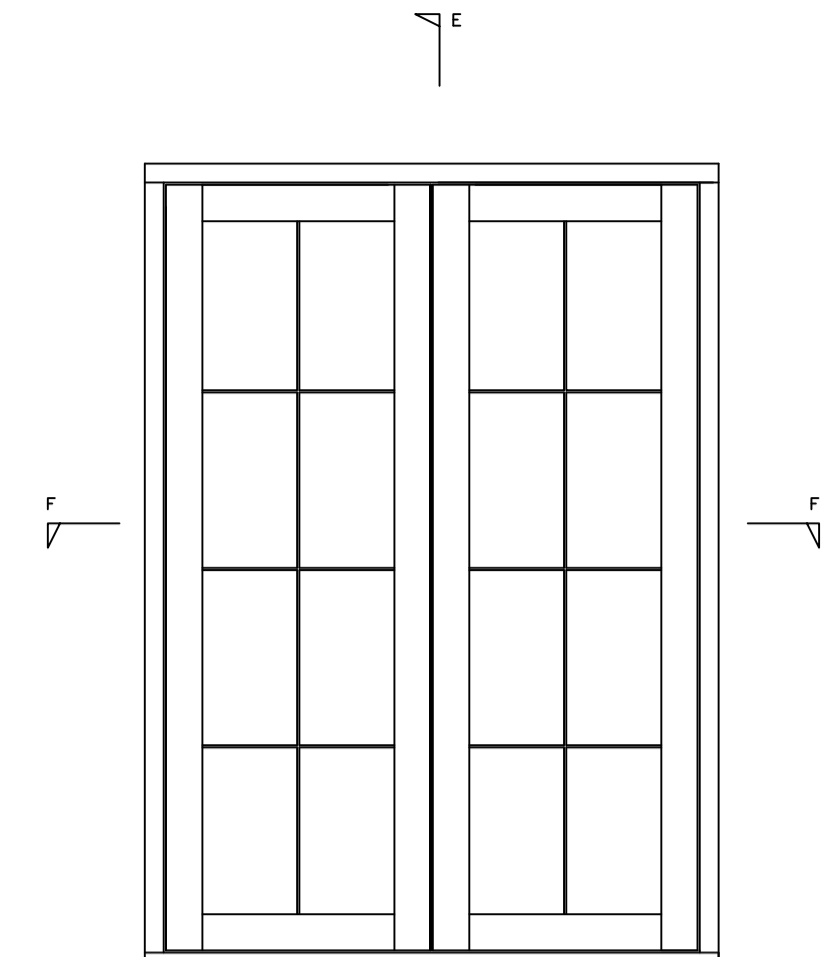


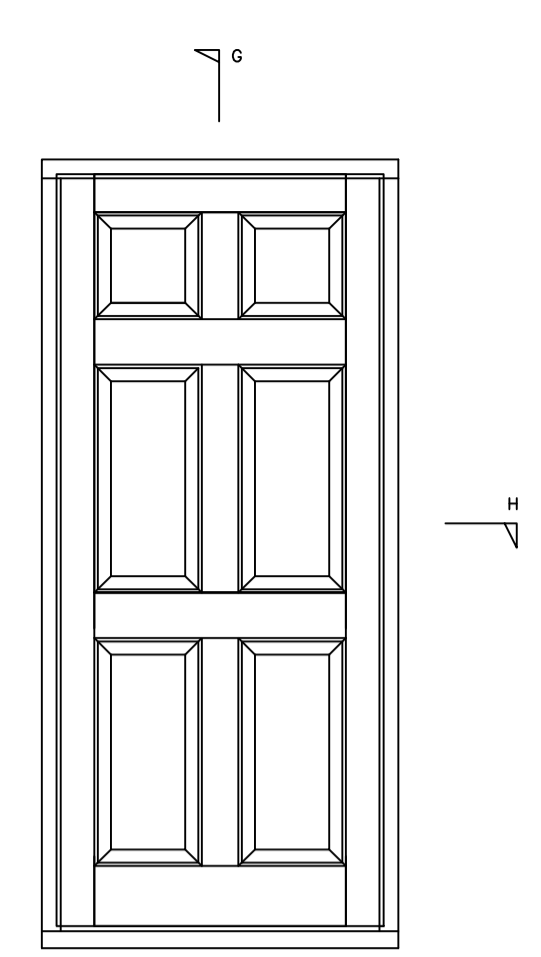
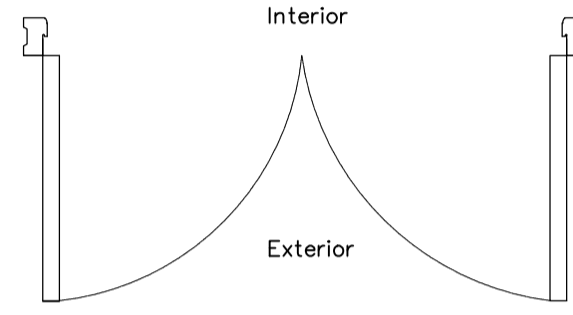
TYPE A
Stable block
1:20



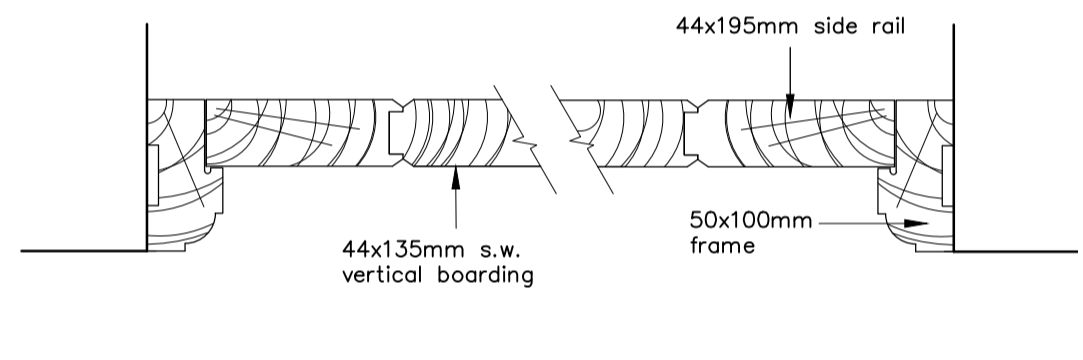
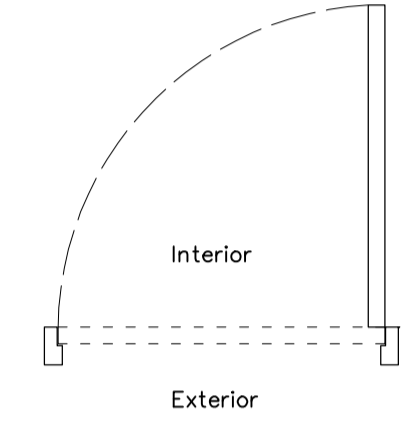
TYPE B
Stable block (fixed in situ)
1:20



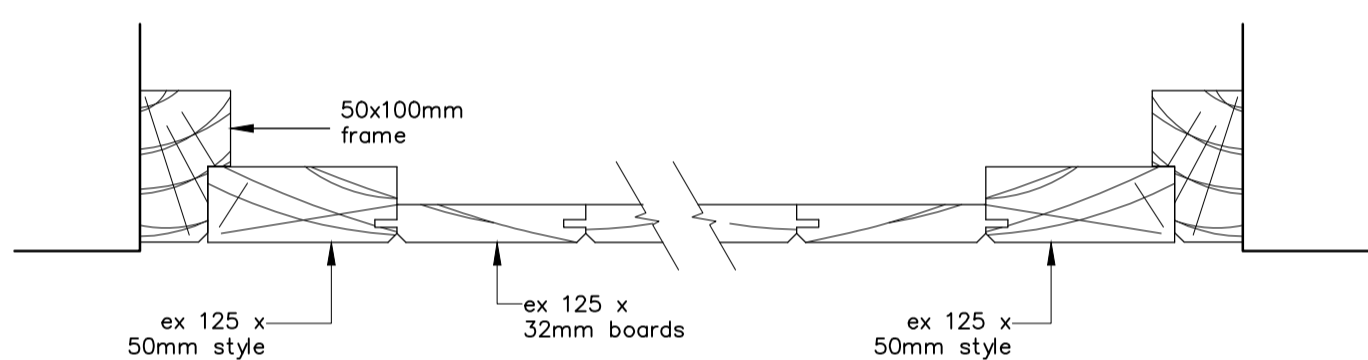
TYPE C
Balroom and Stable block
1:20



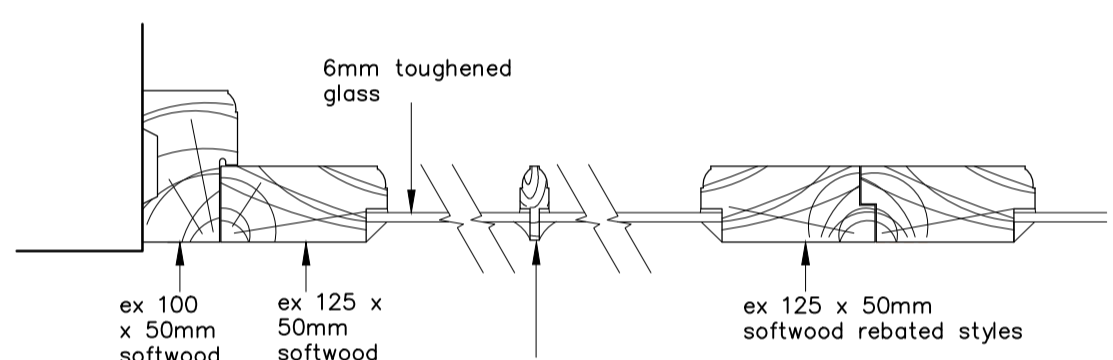
TYPE D
Balroom Wing & Oak Cottage
1:20



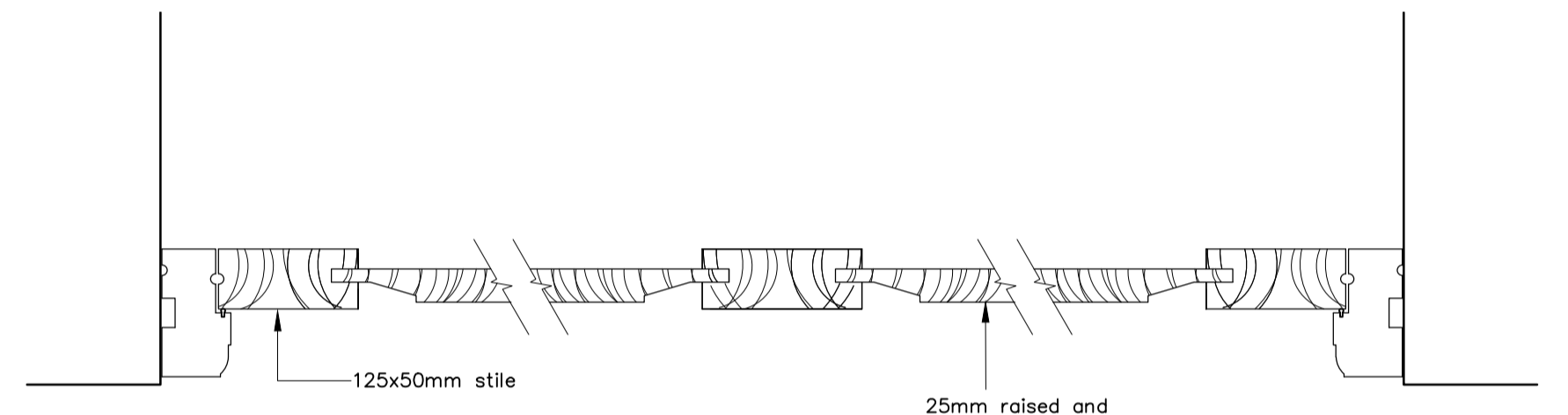
Section B-B
1:5



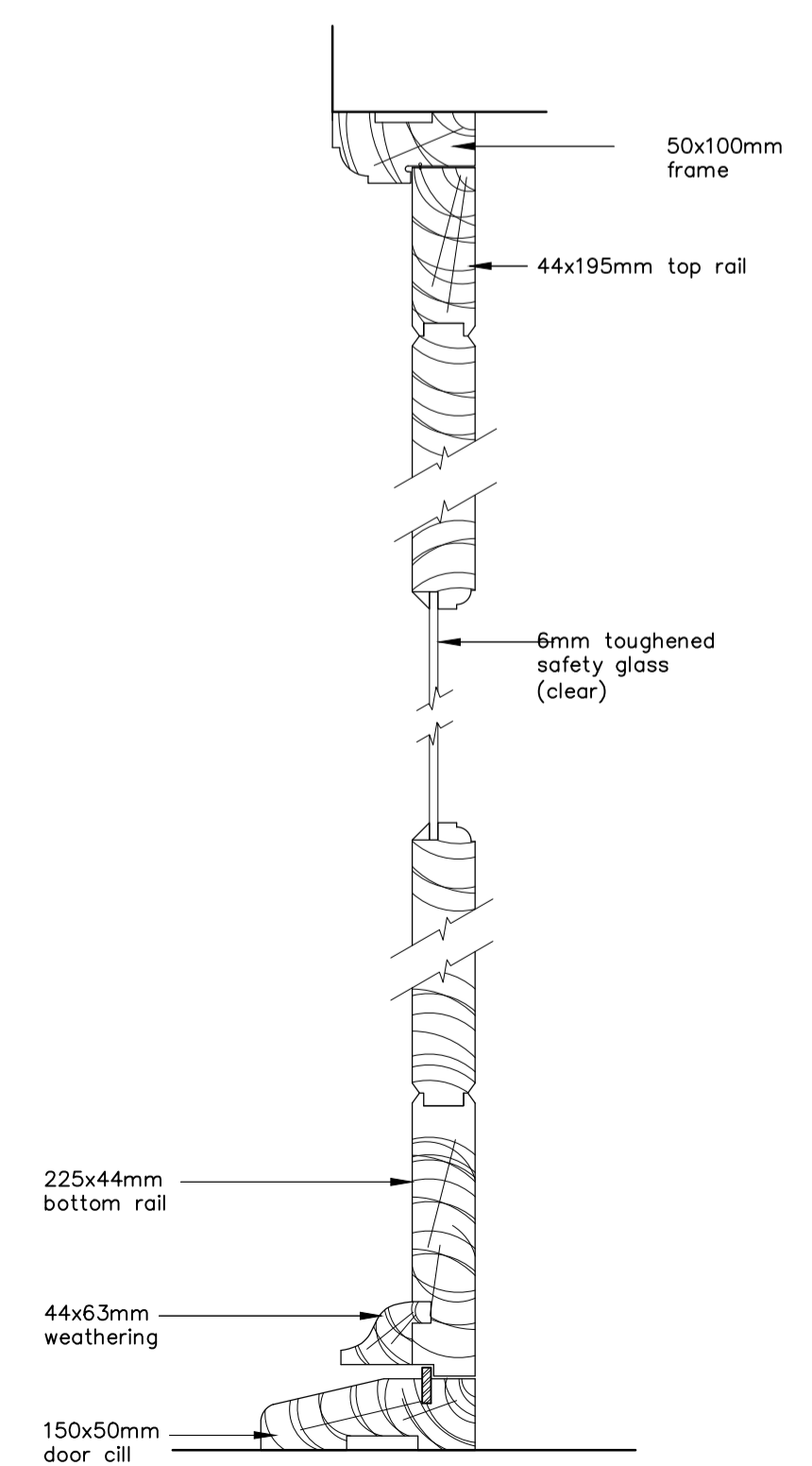
Section D-D
1:5



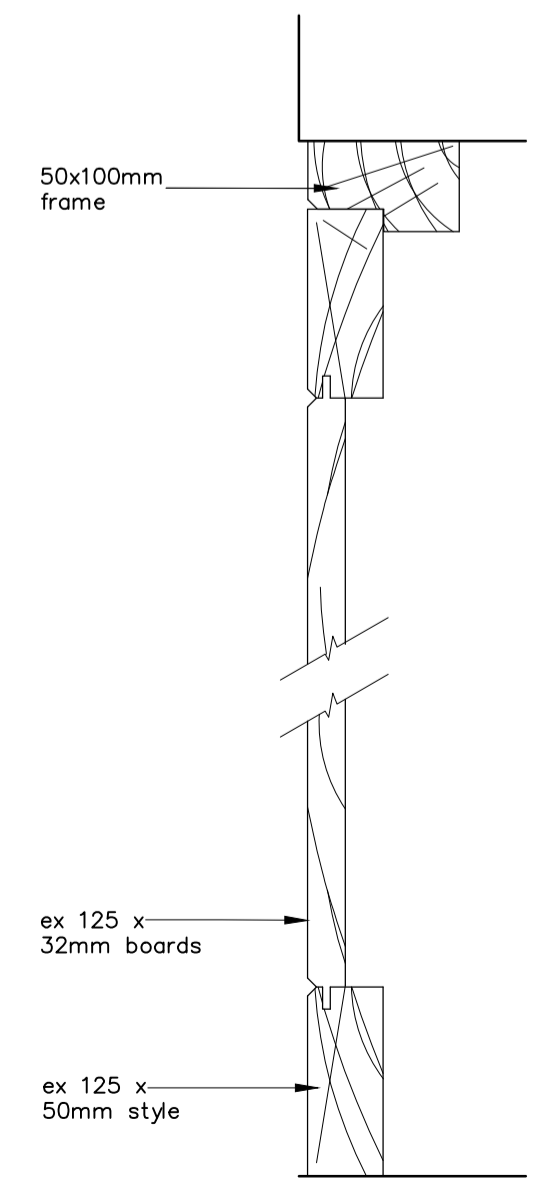
Section F-F
1:5



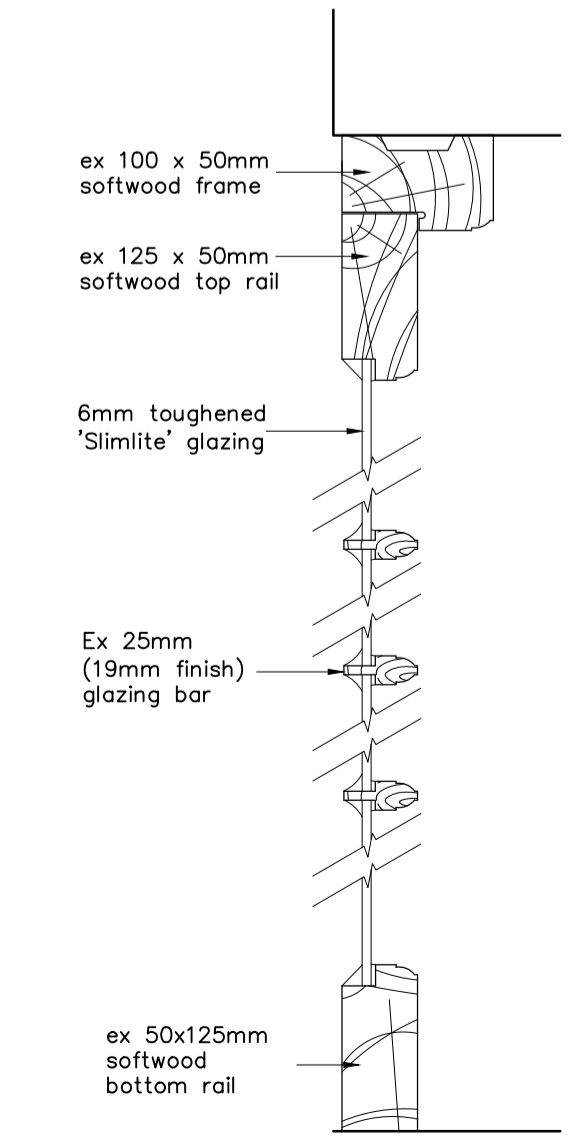
Section H-H
1:5



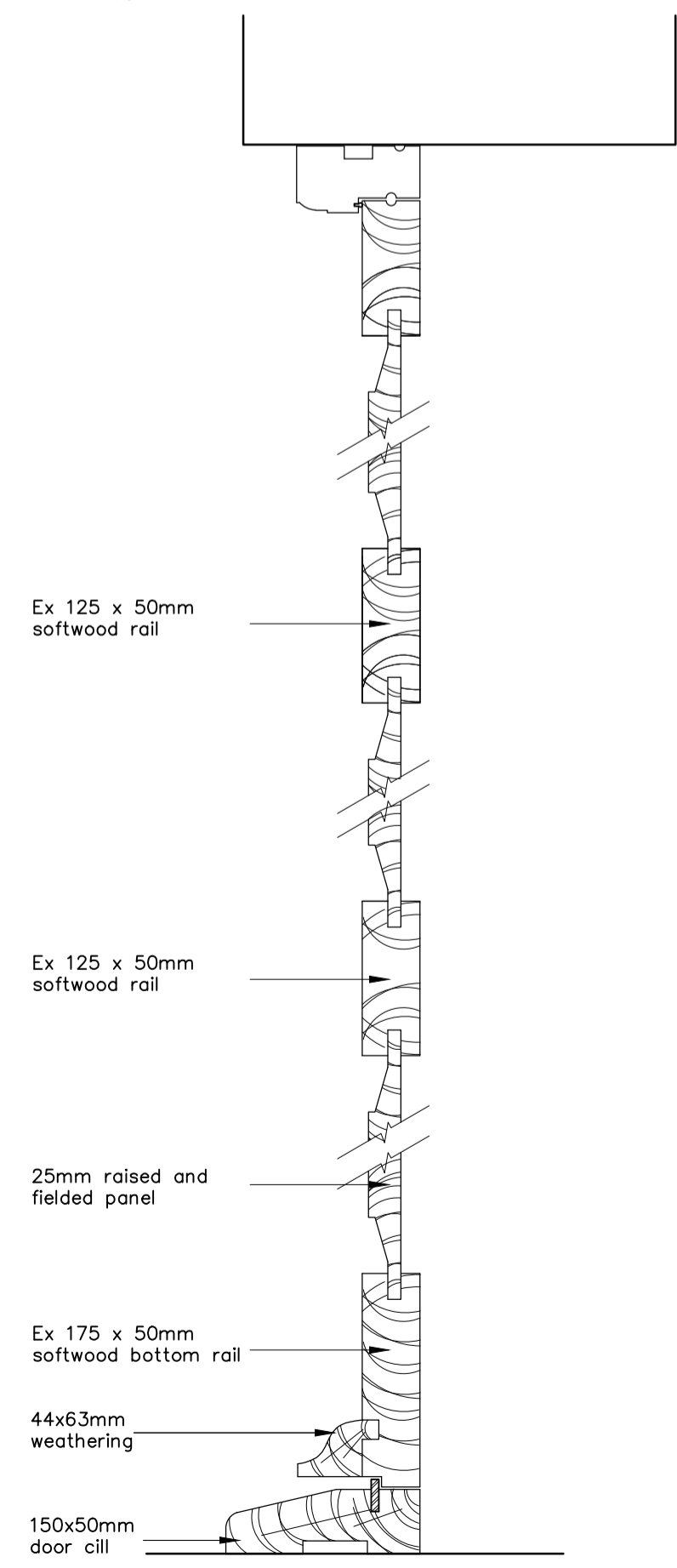
Section A-A
1:5



Section C-C
1:5



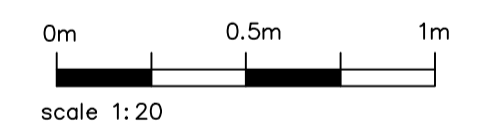
Section E-E
1:5



Section G-G
1:5

NOTE: All measurements to be checked on site

Where possible details are to match existing



revision	description	date

Client: LW Developments			
Job Title: _____			
Drawing Title: Northaw House			
Drawing Title: _____			
Door Details			
Scale: 1:20	Drawn By: A1	LS	Date: Feb 2023
Job Number: 6717	Drawing Number: 65	Status: For Approval	

whitworth

Chartered Architects & Chartered Building Surveyors
Unit 12 Park Farm, Fortham St Genevieve, Bury St Edmunds, IP28 6TS
01284 780421 info@whitworth.co.uk www.whitworth.co.uk

NOTE:
Do not scale from this drawing. Confirm all dimensions on site. Refer any discrepancies to the Architect before work is put in hand. Read this drawing in conjunction with the relevant sections of the specification, schedule of works and other drawings.

This drawing is copyright of whitworth.