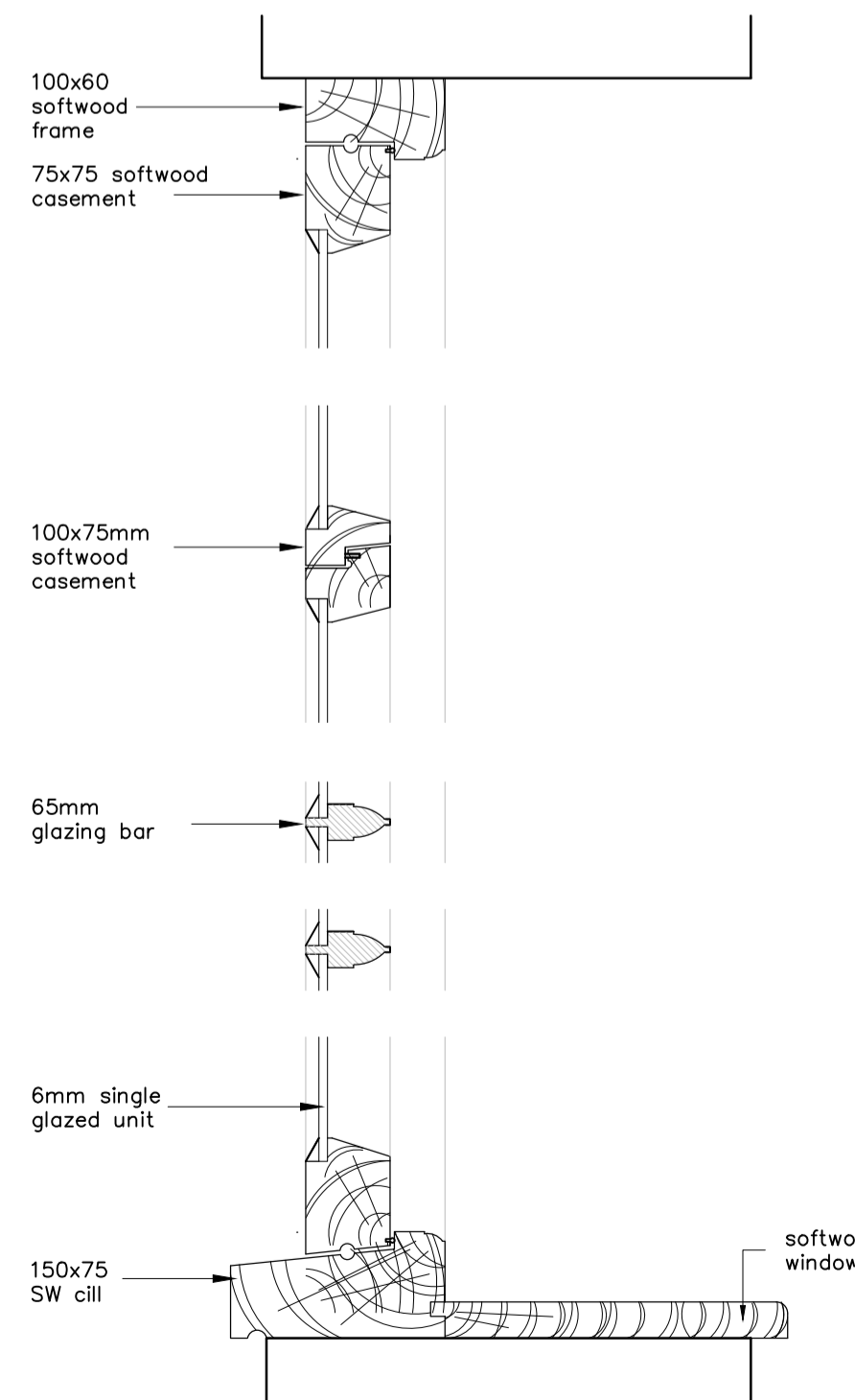
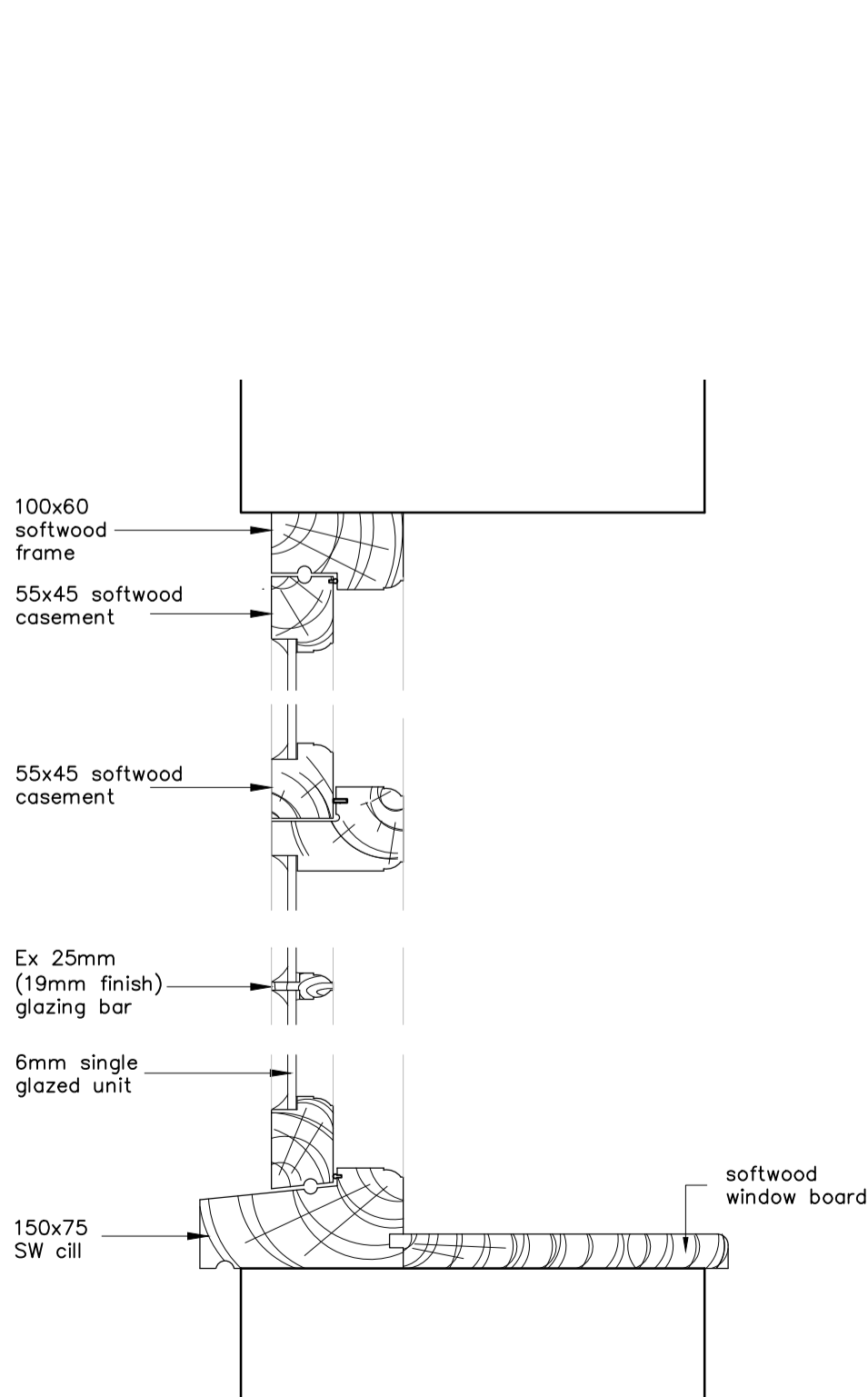


Section B-B
1:5

Section D-D
1:5

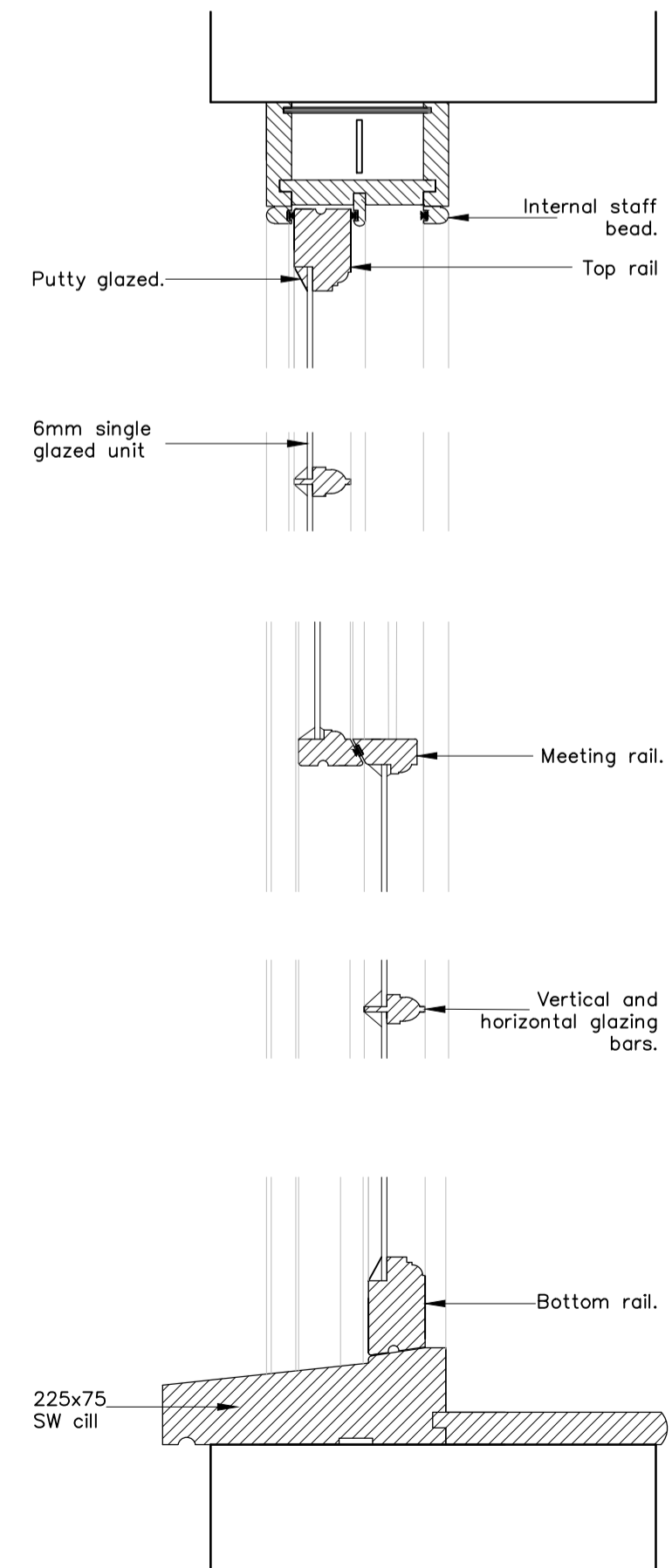
Section F-F
1:5

Section H-H
1:5

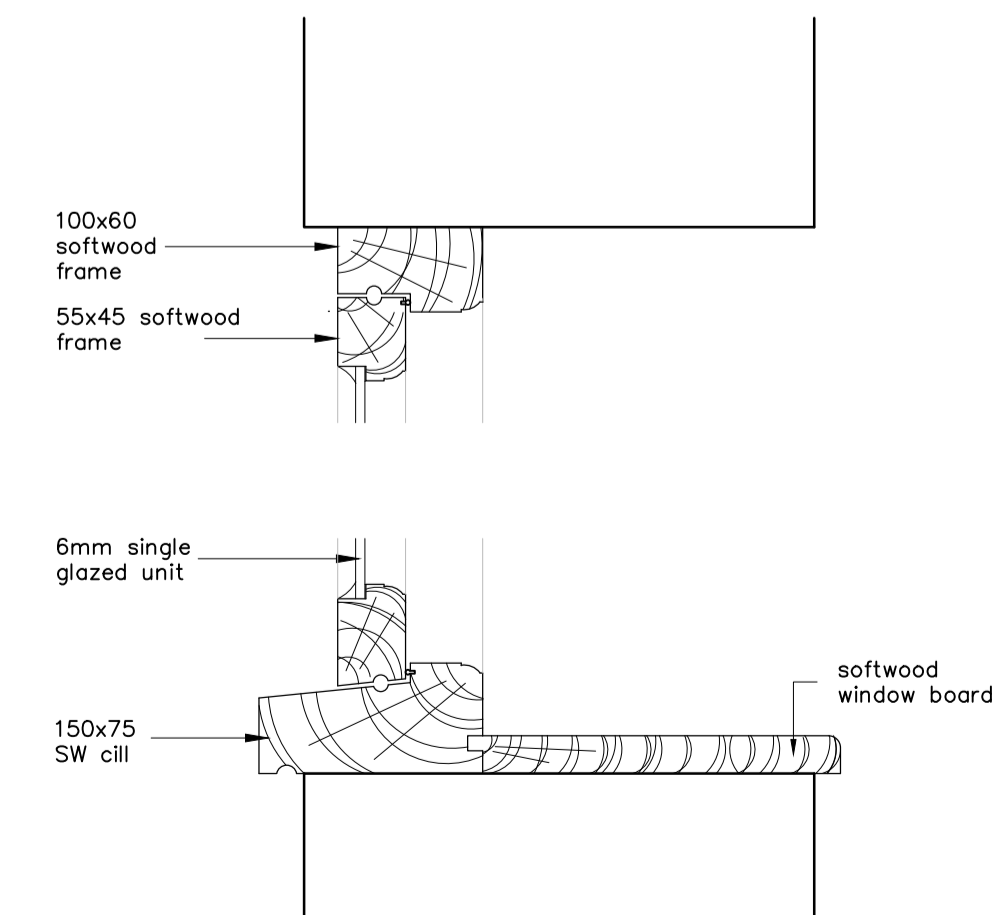


Section A-A
1:5

Section C-C
1:5



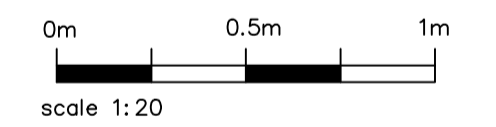
Section E-E
1:5



Section G-G
1:5

NOTE: All measurements to be checked on site

Where possible details are to match existing



Client: LW Developments			
Job Title: Northaw House			
Drawing Title: Window Details			
Scale: 1:20	1:5	Drawn By: A1	LS
Job Number: 6717	63	Date: Feb 2023	Status: For Approval

whitworth
Chartered Architects & Chartered Building Surveyors
Unit 12 Park Farm, Fornham St Genevieve, Bury St Edmunds, IP28 6TS
01284 780421 info@whitworth.co.uk www.whitworth.co.uk

NOTE: Do not scale from this drawing. Confirm all dimensions on site. Refer any discrepancies to the Architect before work is put in hand. Read this drawing in conjunction with the relevant sections of the specification, schedule of works and other drawings.

This drawing is copyright of whitworth.