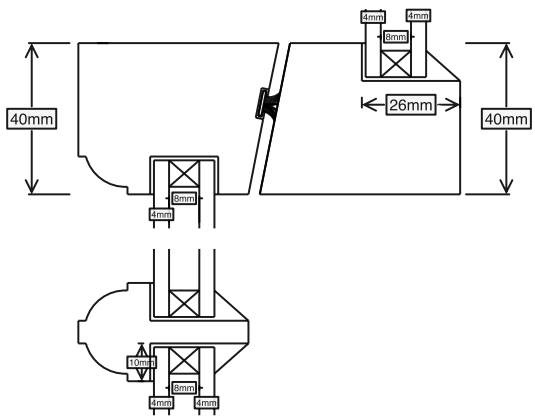
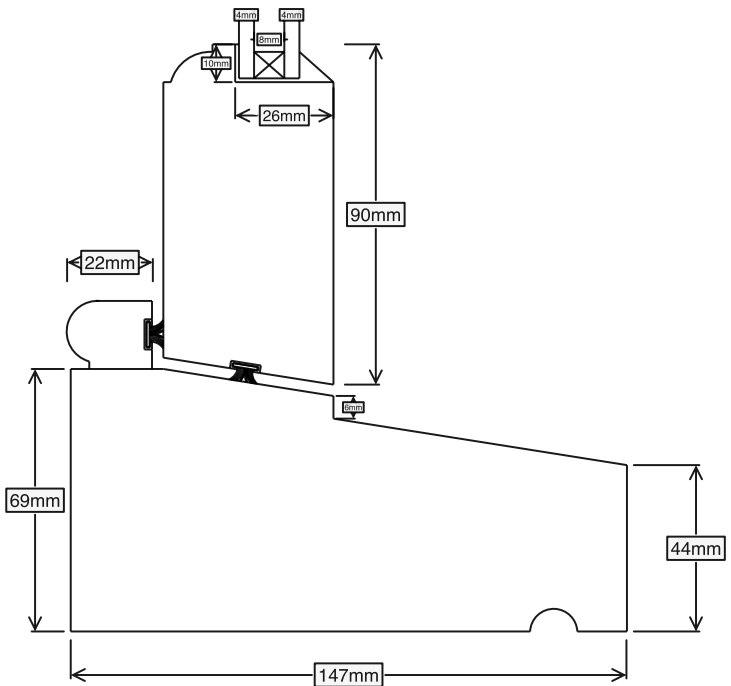


Inside

Outside



Section A-A



Ventrolla Ltd	Drawing no. MJ/004
Northward House Coopers Lane EN6 4PS	
Date - 21 - 01 - 2020	
Sections	Scale 1:2 @ A4
Box frame and Timber sash window	
Glass = 4:8:4 DGU Krypton gas Low E	
Painting Inside = white gloss Outside = White satin	
	Page 4