



Glazing

Using glazing rebates of 18mm x 41mm Elegance flush casement windows will accept 24mm (4:16:4) insulating glass units as standard. The glazing system is fully drained and vented with a sloping bottom platform. A full 5mm clearance is provided between the insulating glass unit and rebate, in compliance with BS 6262.

Ventilation

Flush fitting ventilators are supplied fitted as standard to all Elegance windows to assist in compliance with Approved Document F of the Building Regulations. These provide an Equivelant Area of 6100mm² on windows 888mm and wider, 3050mm² on windows below that size, down to 465mm wide. This product is also available with no trickle ventilation at time of order.



U available down to: 1.3 Wm²K



Fire egress available to assist with compliance of Approved Document B



Background ventilation provided, to assist with compliance of Approved Document F



Sill Detail

A narrow 91mm and an 82mm flush sill is available as well as extended sills to widths of 208mm. Care must be taken to ensure that the correct sill width is specified to suit the brickwork detail and Approved Document L.

PLAIN GLAZED AND BAR DESIGN OPTIONS



Plain



Victorian Bar



Cottage Bar



Horizontal Bar

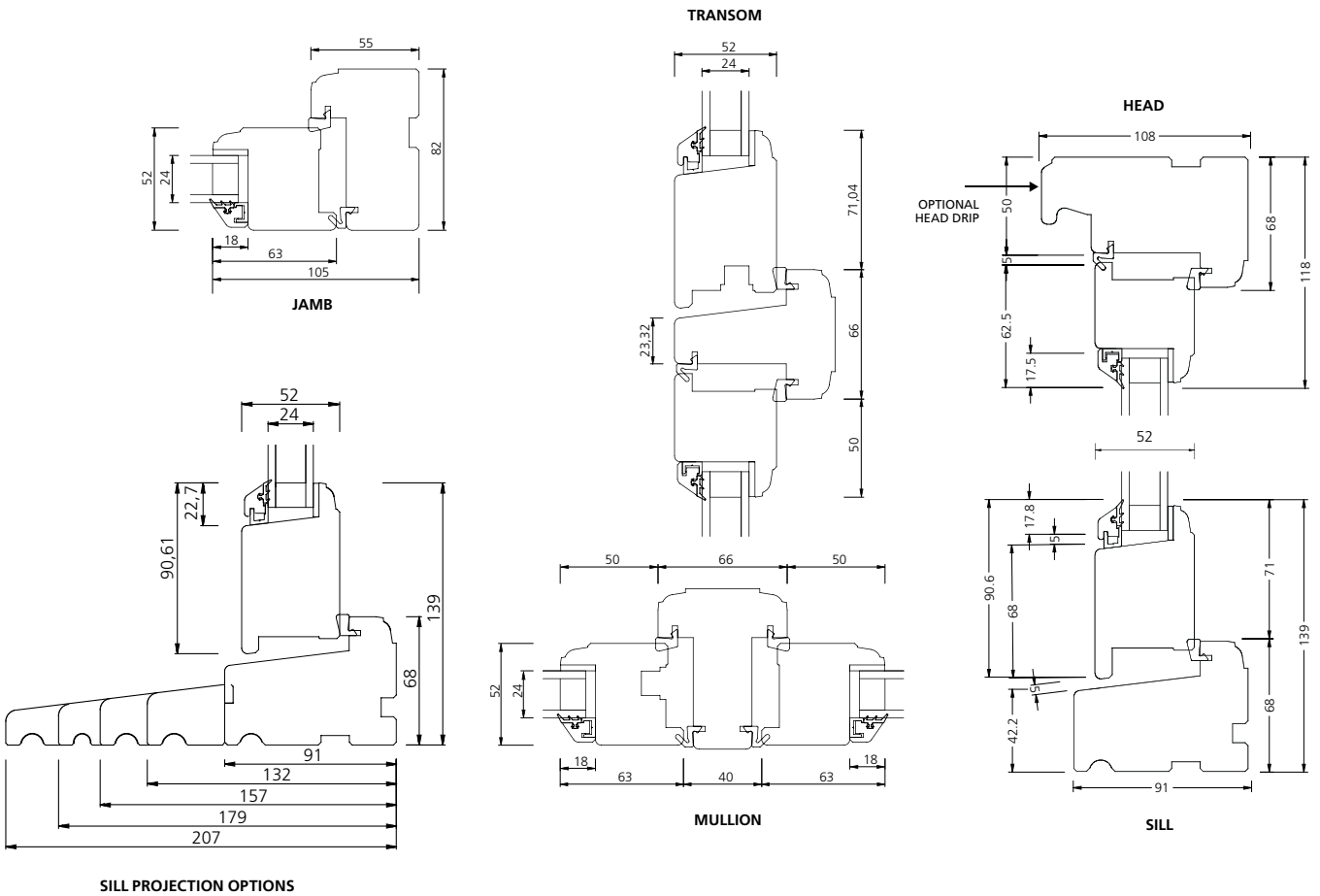
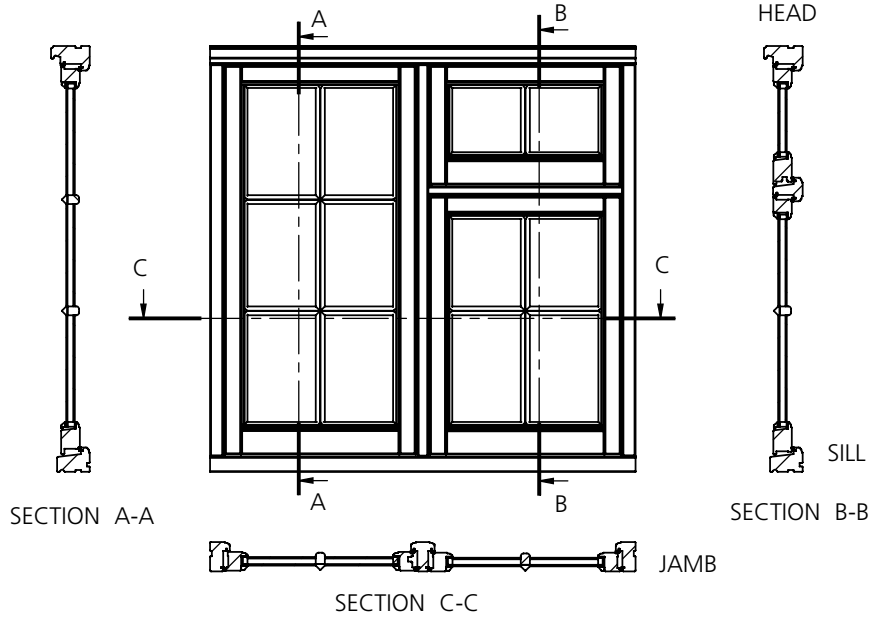


Deco Bar



All Bar

SECTION DETAILS



SIZE LIMITATIONS

Our Elegance casement range is available as standard sizes or made to measure. When specifying made to measure products, the below limitations should be used as a guide to what can be manufactured.

	Min Sash Width (mm)	Min Sash Height (mm)	Max Sash Width (mm)	Max Sash Height (mm)
Side hung	400	400	800	1600
Top hung	400	400	1200	1480

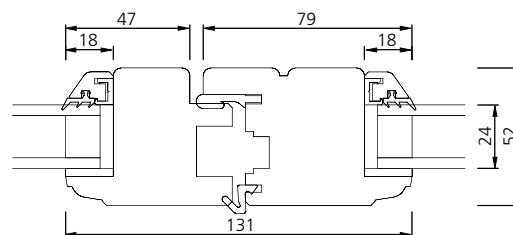
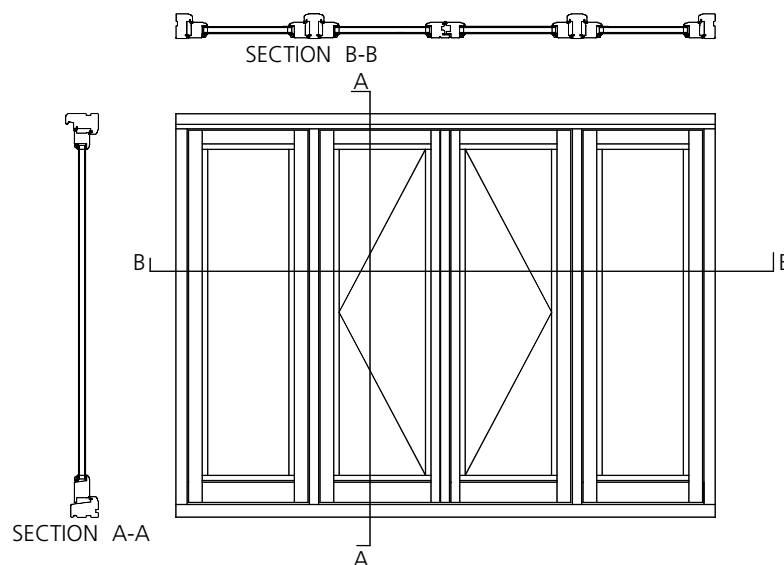
Limitations for projecting hinges

	Min Frame Width (mm)	Min Frame Height (mm)	Max Frame Width (mm)	Max Frame Height (mm)	Max Frame Area (mm ²)
Frame	484	484	3000	2400	2500

Including fixed sash

Please note, configuration limitations vary within the min/max dimensions due to weight and sash proportions. For further detailed sizing please contact our estimating department on 0845 1222892.

Fire Egress Frame – Mullion detail



MULLION