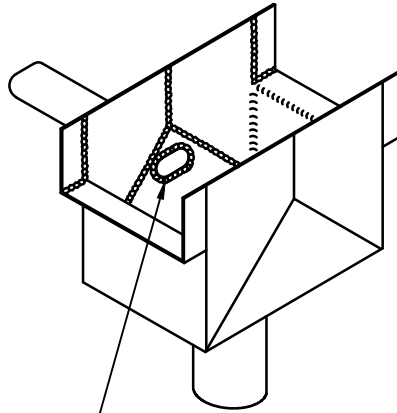


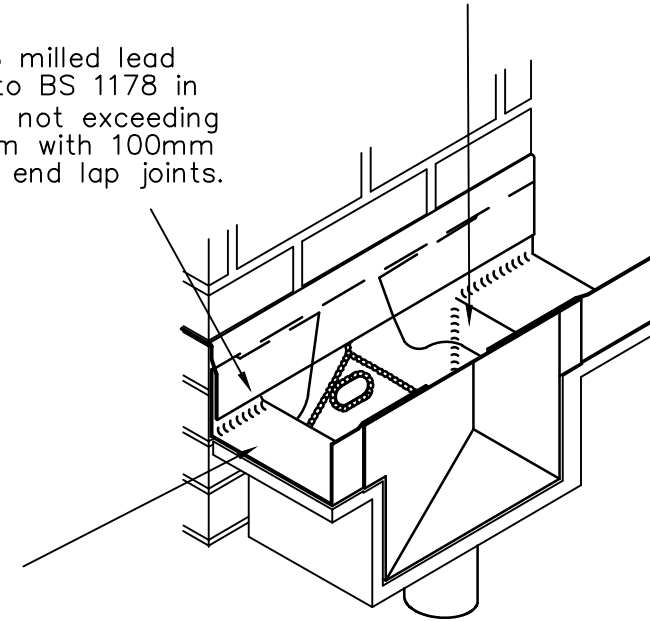
SPECIFICATION AND DESIGN CONSIDERATIONS

- Number of catchpits and diameter of outlet will depend on the calculated flow of rainwater from the roof area.
- Gutter bays code of lead sheet to specify will depend on design life of building exposure to wind and anticipated foot traffic. See Detail Sheet No 1R
- Overflows are recommended to give warning of blockages, minimum 38mm diameter or half the diameter of the outlet, whichever is greater.
- Risks of snow build up in gutters and outlets consider use of heating tapes or snowboards See Publication Reference.
- Avoiding risks with leaves and debris, use wire grating over catchpit area, See Publication Reference.



Invert of overflow pipe 50mm below gutter sole.

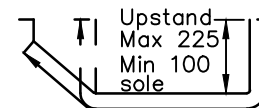
Code 8 milled lead sheet to BS 1178 in lengths not exceeding 1500mm with 100mm end to end lap joints.



Gutter lining dressed into catch pit by 75mm MIN.

Code 8 milled lead sheet to BS 1178

BS 1178 Code No.	Max.Length between drips mm	Max.overall girth mm
4	1500	750
5	2000	800
6	2250	850
7	2500	900
8	3000	1000



Measurement of girth

Lead Sheet Association
Telephone 01892 513351
Fax 01892 535028



Standard Detail Sheet No. 10G
Title Catchpit

Contract Information

Practice Details

Publication Reference Lead Sheet Manual Volume TWO
Page Nos 102 to 114