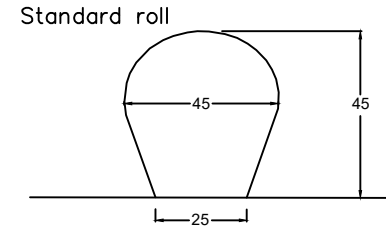


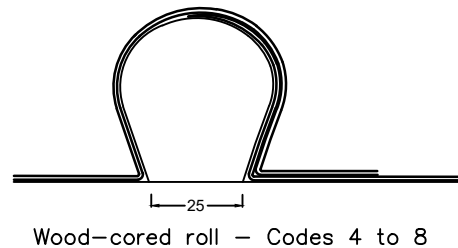
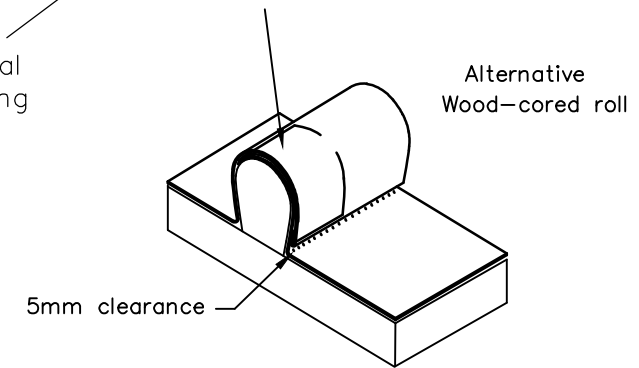
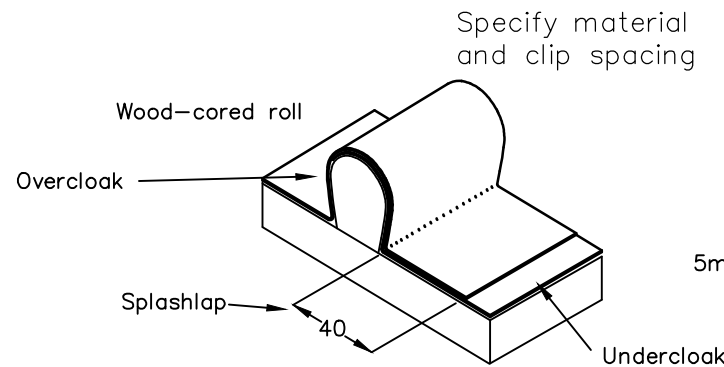
## SPECIFICATION AND DESIGN CONSIDERATIONS

- Wood cored rolls are suitable for flat roofing pitched roofing and vertical cladding and are detailed running with the fall except at ridges, hip intersections and high points in gutter linings.
- Wood rolls are the accepted joint where there is foot traffic on the roof area
- Where timber substrates are used minimum thickness is 18mm.
- Using codes 7 and 8 for flat and low pitched roofing in sheltered and moderate exposures the traditional splash lap can be omitted and terminated 5mm above the roof surface. See Detail Sheet No.1G
- Clips within welted edge Alternative wood cored roll would be spaced at max 450mm centres, if, considered a severe exposure 300mm centres should be specified.
- Materials for clips See detail Sheet No 3R

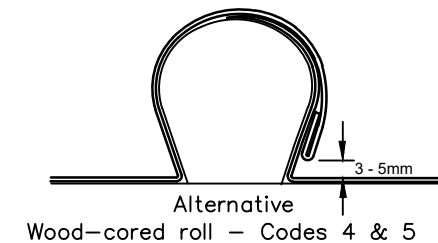
| Table 3 Flat Roofs |  |                              |
|--------------------|--|------------------------------|
| BS 1178 Code No.   | Max.spacing of joints with the fall mm | Max.spacing between drips mm |
| 4                  | 500                                    | 1500                         |
| 5                  | 600                                    | 2000                         |
| 6                  | 675                                    | 2250                         |
| 7                  | 675                                    | 2500                         |
| 8                  | 750                                    | 3000                         |



.....clips spaced at  
.....mm centres  
fixed behind undercloak



Standard roll



**Lead Sheet Association**  
Telephone 01892 513351  
Fax 01892 535028



Standard Detail Sheet No. **9R**  
Title Wood – Cored Rolls  
Traditional and Alternative

Contract  
Information

Practice  
Details

Publication Reference Lead Sheet Manual Volume **ONE Appendix A**  
Volume TWO Page Nos 33, 35, 46, 56, 62