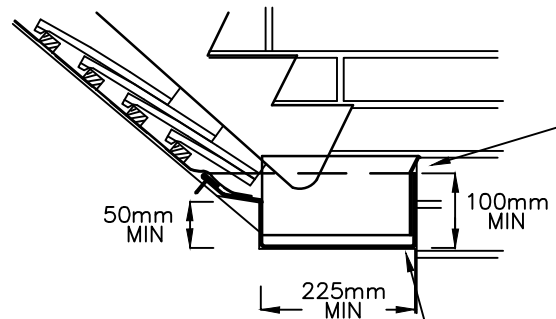


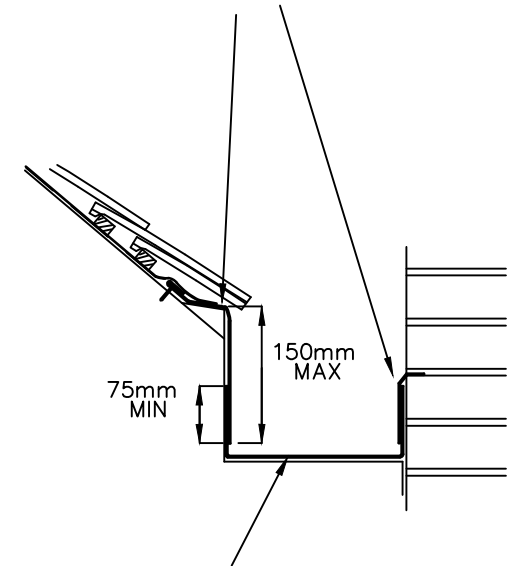
SPECIFICATION AND DESIGN CONSIDERATIONS

- Spacing of drips depends on the code of lead specified.
- Consider minimum code 5 for gutters,
- Gutter bays code of lead sheet to specify will depend on design life of building exposure to wind and anticipated foot traffic. See Detail Sheet No 1R
- Minimum fall recommended for gutters is 1 in 80. Consider designing at min 1 in 60 to accommodate variations on site.
- Clipping to free edges of cover flashings over upstands, See Detail Sheets 6R, 7R and 8R.
- Cavity brickwork ensure flashings are fitted in correct relation to any tray system, See Publication Reference.



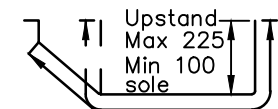
Code 7 milled lead sheet to BS 1178 in lengths not exceeding 1500mm with 100mm end to end lap joints.

Code 7 milled lead sheet to BS 1178



Code 7 milled lead sheet to BS 1178

BS 1178 Code No.	Max.Length between drips mm	Max.overall girth mm
4	1500	750
5	2000	800
6	2250	850
7	2500	900
8	3000	1000



Measurement of girth

Lead Sheet Association
Telephone 01892 513351
Fax 01892 535028



Standard Detail Sheet No. **4G**
Title Box Gutters (Tiled or Slated
Roofs)

Contract
Information

Practice
Details

Publication Reference Lead Sheet Manual Volume **ONE APPENDIX A**
Volume TWO Page Nos 102 to 114