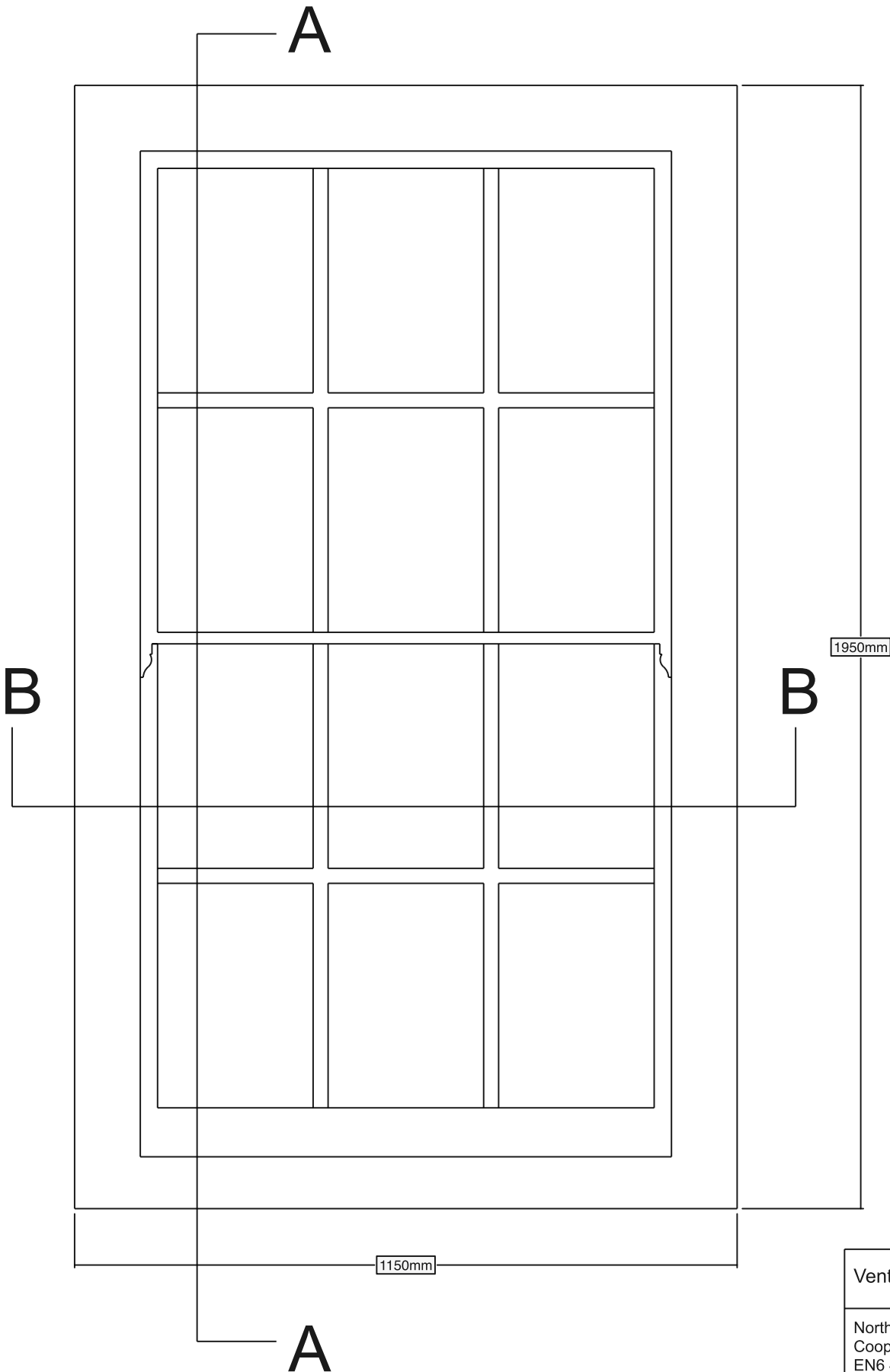


Internal view

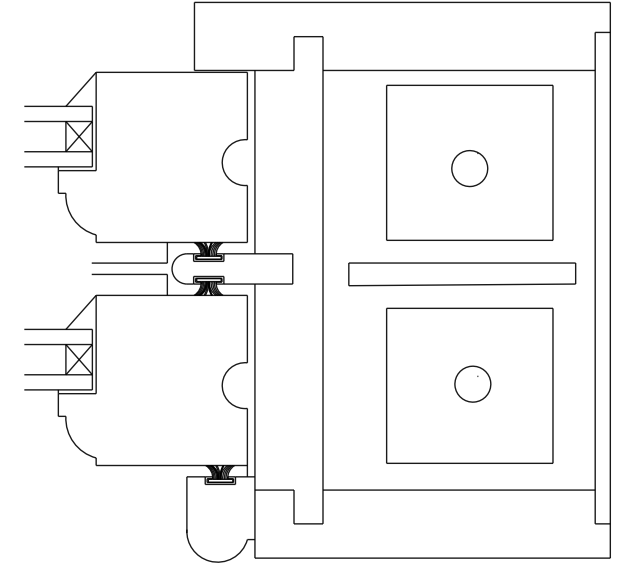
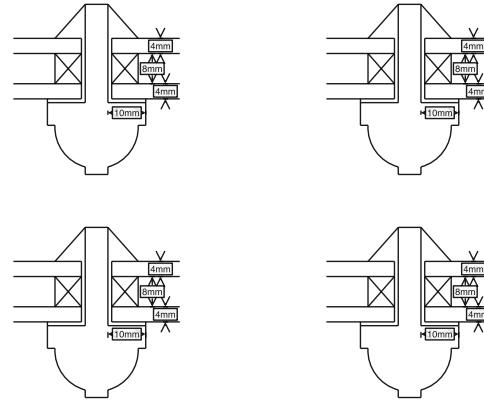
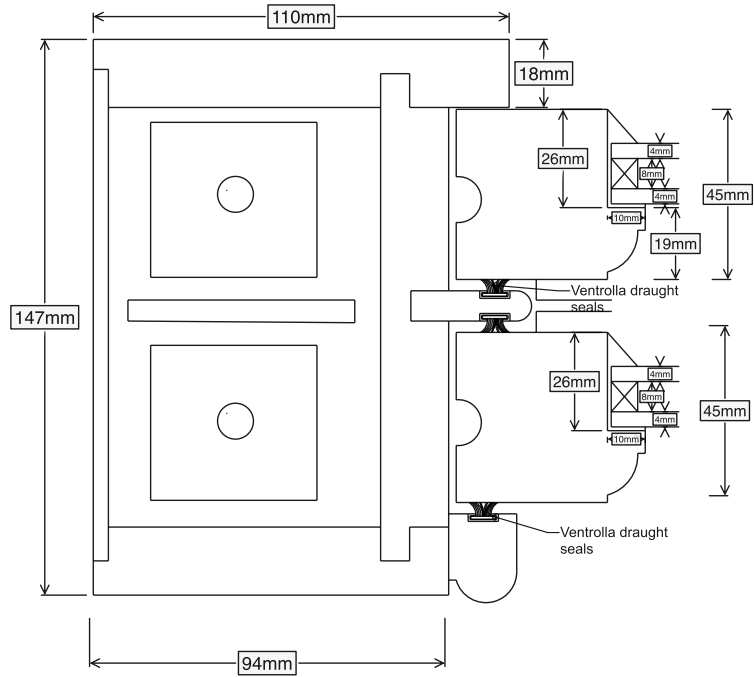
Ventrolla Ltd	Drawing no. MJ/001
Northward House Coopers Lane EN6 4PS	
Date - 21 - 01 - 2020	
Elevation	Scale 1:10 @ A4
Box frame and Timber sash window	
Glass = 4:8:4 DGU Krypton gas Low E	
Painting Inside = white gloss Outside = White satin	
	Page 1



External view

Ventrolla Ltd	Drawing no. MJ/002
Northward House Coopers Lane EN6 4PS	
Date - 21 - 01 - 2020	
Elevation	Scale 1:10 @ A4
Box frame and Timber sash window	
Glass = 4:8:4 DGU Krypton gas Low E	
Painting Inside = white gloss Outside = White satin	
	Page 2

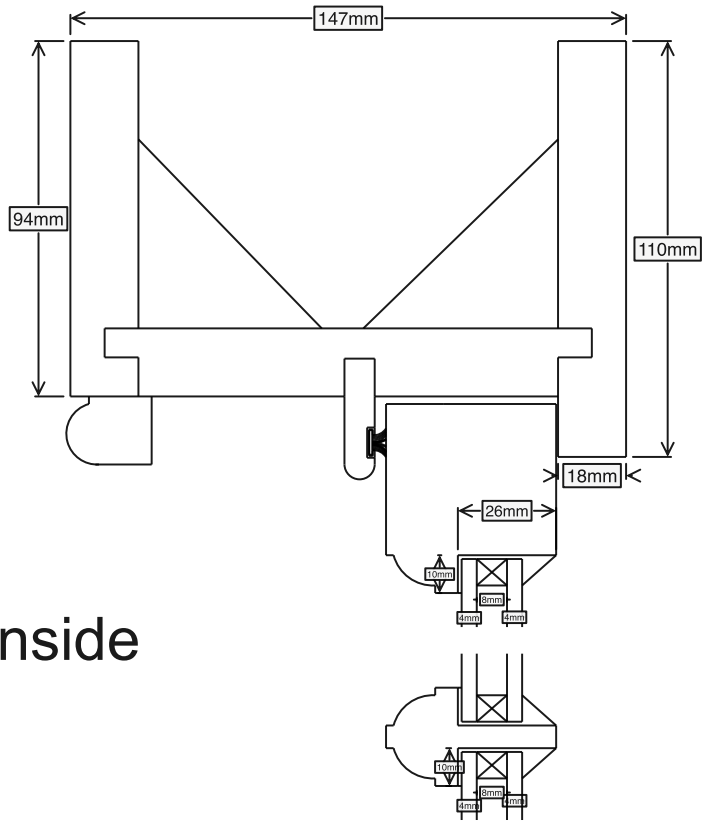
Outside



Inside

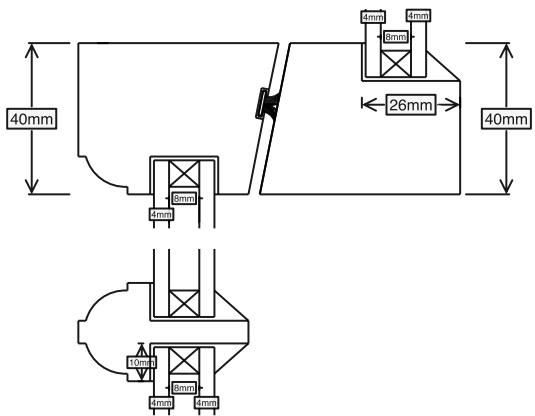
Section B-B

Ventrolla Ltd	Drawing no. MJ/003
Northward House Coopers Lane EN6 4PS	
Date - 21 - 01 - 2020	
Sections	Scale 1:2 @ A4
Box frame and Timber sash window	
Glass = 4:8:4 DGU Krypton gas Low E	
Painting Inside = white gloss Outside = White satin	
	Page 3

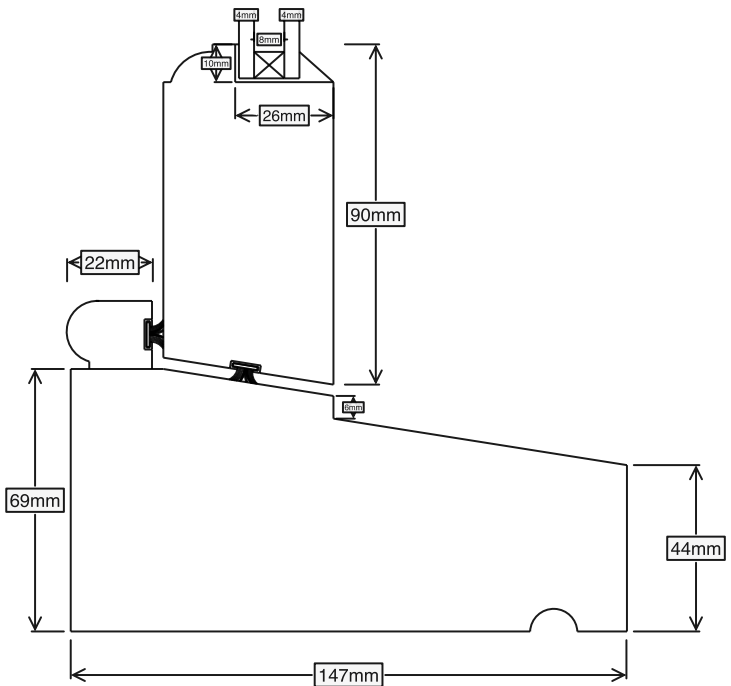


Inside

Outside



Section A-A



Ventrolla Ltd	Drawing no. MJ/004
Northward House Coopers Lane EN6 4PS	
Date - 21 - 01 - 2020	
Sections	Scale 1:2 @ A4
Box frame and Timber sash window	
Glass = 4:8:4 DGU Krypton gas Low E	
Painting Inside = white gloss Outside = White satin	
	Page 4