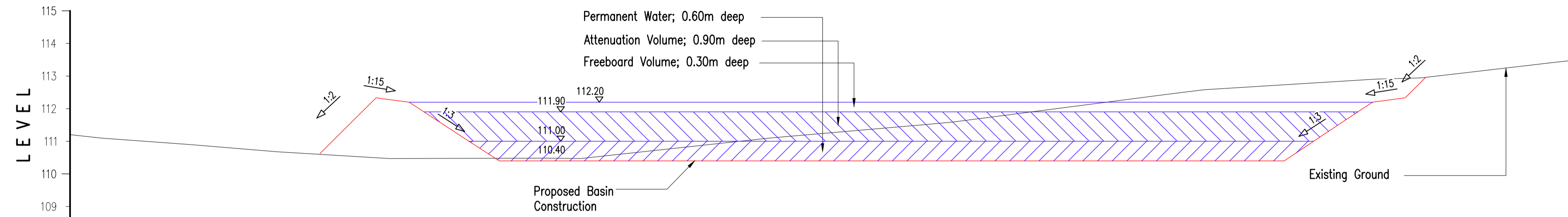


GENERAL

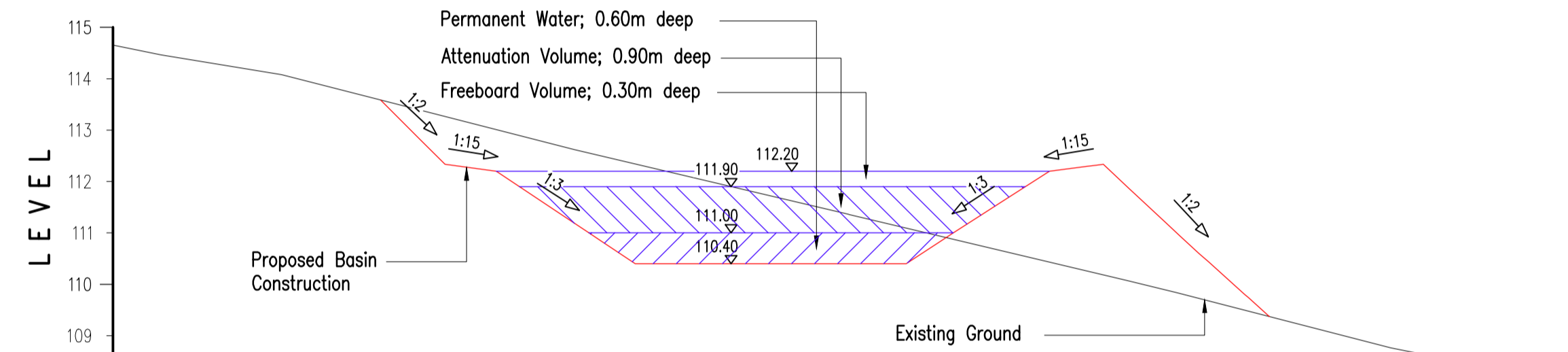
1. The contractor shall comply with the health and safety requirements as set out in the CDM Regulations
2. All works are to be undertaken in accordance with the Building Regulations and latest relevant British Standards.
3. Conflicting information between this drawing and information given by others must be referred to the engineer before the works commence.
4. The contractor shall, before commencing the works, verify all existing outfall invert levels and site and setting out dimensions. The contractor shall be responsible for the true and proper setting out of the works and for the correctness of the position, levels, dimensions, and alignment of all parts of the works. Any discrepancies are to be reported to Civilistix Consulting Engineers
5. All products used are to be CE marked in accordance with the Construction Products Directive CPD/89/106/EEC.
6. The contractor shall be responsible for locating all existing utilities prior to commencing construction and protecting all existing services affected by the works.
7. Any unidentified hazards discovered during the progress of works are to be reported immediately to the engineer.

SECTION A-A
SCALE: H 1:250, V 1:125. DATUM: 108.000



CHAINAGE	00.000	10.000	20.000	30.000	40.000	50.000	60.000	70.000	80.000	90.000	92.704
EXISTING LEVELS	111.205	110.790	110.473	110.479	110.945	111.409	111.974	112.596	112.906	113.367	113.518
PROPOSED LEVELS			112.250	110.400	110.400	110.400	110.400	110.400	110.400	112.215	


SECTION B-B
SCALE: H 1:250, V 1:125. DATUM: 108.000



CHAINAGE	00.000	10.000	20.000	30.000	40.000	50.000	57.038
EXISTING LEVELS	114.656	113.639	112.382	111.201	110.011	108.740	107.994
PROPOSED LEVELS			110.514	110.400	111.668		

REV	DATE	BY	SUMMARY OF CHANGE	CHK	APP
P3	18/12/2020	DM	Sections amended	DM	DM
P2	26/11/2020	DM	Sections amended	DM	DM
P1	29/10/2020	DM	-	DM	DM

DRAWING STATUS: **FOR PLANNING**



31 Westmoor Avenue, Sawston, Cambridge CB22 3BU
Tel: +44 (0)1223 668 574 E: enquiries@civilistix.com
www.civilistix.com

CLIENT: **LW DEVELOPMENTS**

ARCHITECT: **BRYANT & MOORE**

PROJECT: **NORTHAW HOUSE, POTTERS BAR, HATFIELD**

DRAWING TITLE: **PROPOSED POND SECTIONS**

SCALE @ A1:	CHECKED / APPROVED BY:	DATE:
1:200 @ A1	DM	OCT 2020
PROJECT No:	DRAWING No:	REV:
1-046	1-046-CCE-XX-XX-DR-C-005	P3