

## New Sheffield Cycle Shelter

### Features:



All pre-designed shelters.



PETg or polycarbonate for impact resistance and discolouration.



On all defects as a result of workmanship, material selection and finish (wear and tear, vandalism and abuse excluded).



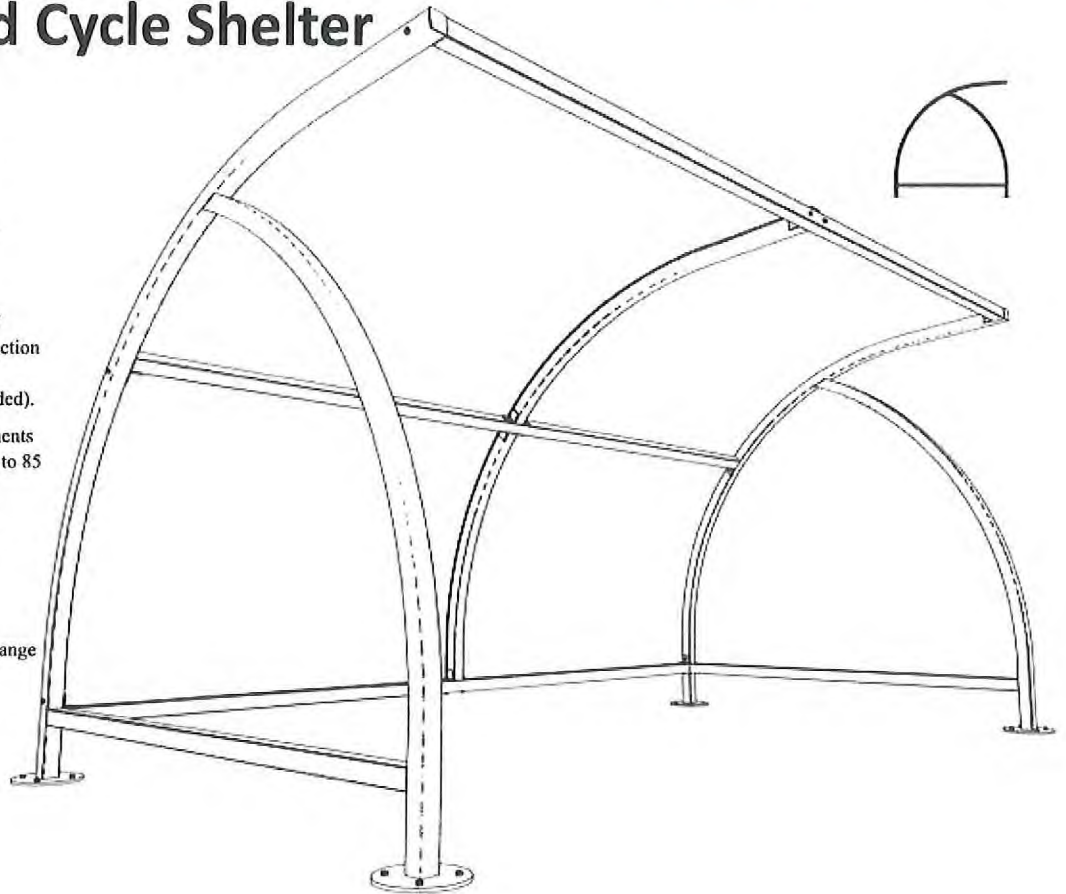
Hot-dip galvanised components increase life expectancy up to 85 years plus.



We deliver and install our canopies nationally.



Choose from our standard range of RAL and BS colours.



ClearView PETg UV Cladding



10 Cycle Capacity



Adjustable Feet



Colorcoat HPS 200 Roof



Run Of Shelters



Covered Smoking/Cycle Area

Broxap Limited, Rowhurst Industrial Estate, Chesterton, Newcastle-under-Lyme, Staffordshire ST5 6BD  
 Tel: +44 (0)1782 564411 • Fax: +44 (0)1782 565357/562546 • E.mail: sales@broxap.com • Web: www.broxap.com







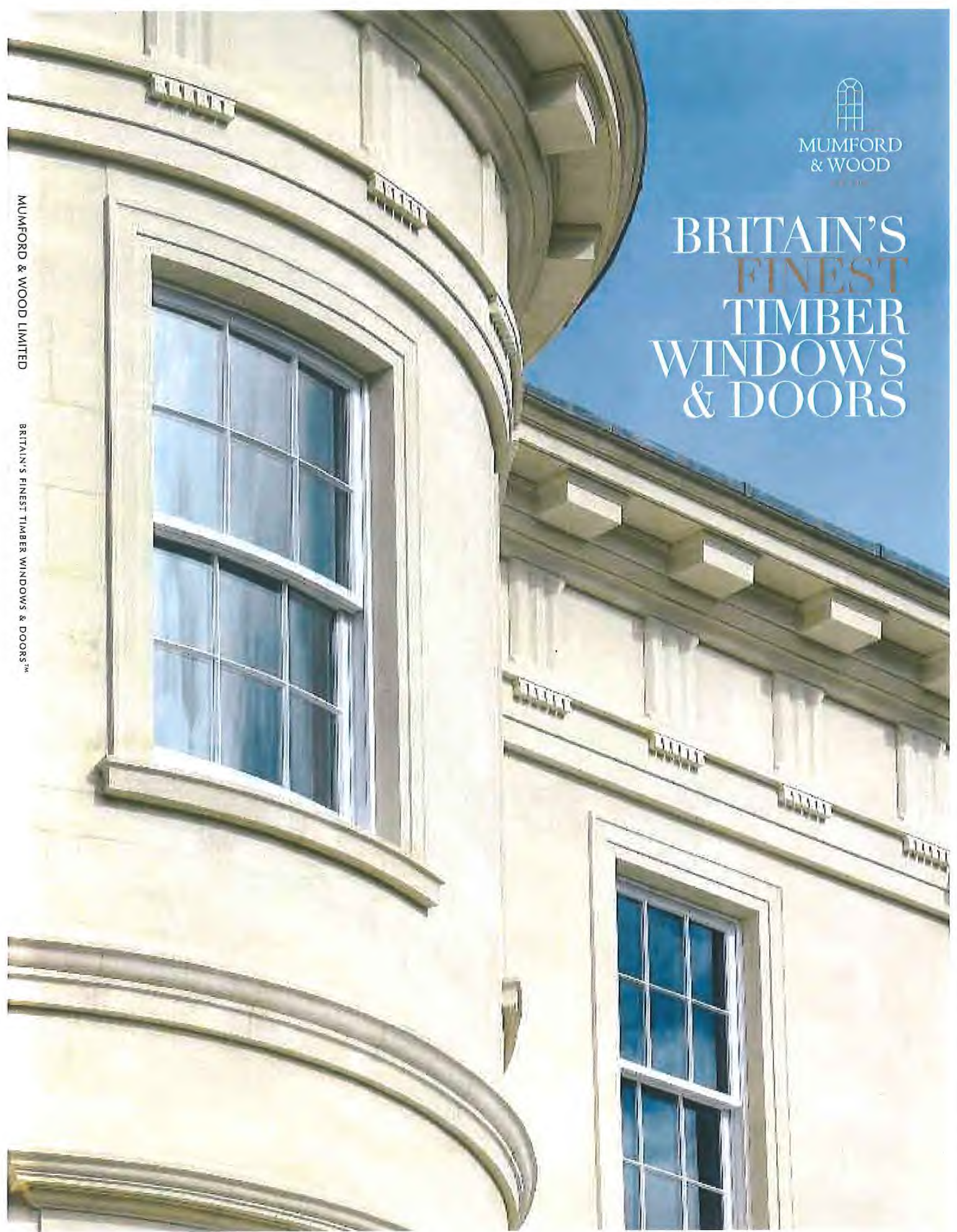




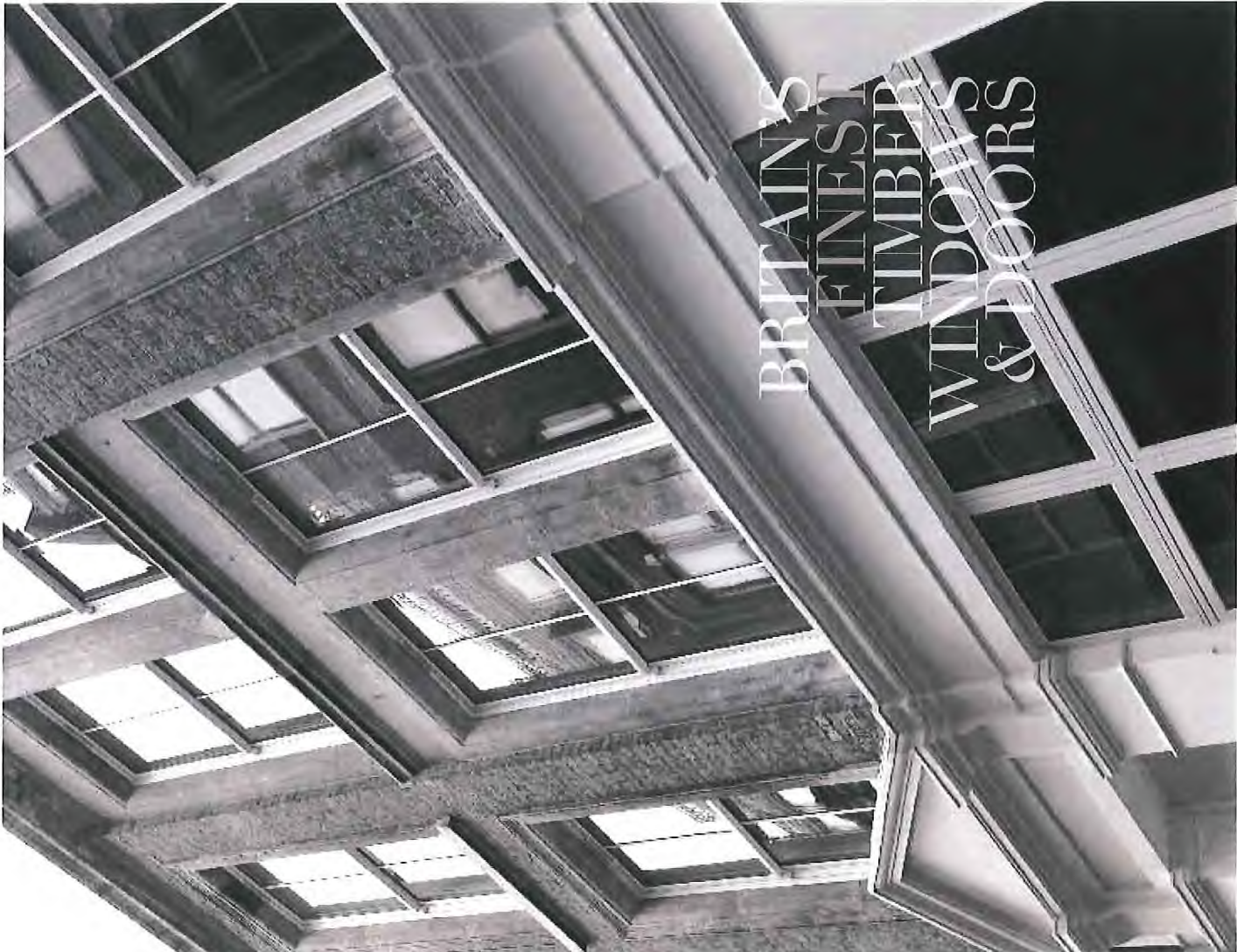
# BRITAIN'S FINEST TIMBER WINDOWS & DOORS

MUMFORD & WOOD LIMITED

BRITAIN'S FINEST TIMBER WINDOWS & DOORS™







MUMFORD & WOOD

CON T E N T S

**BRITAIN'S FINEST TIMBER WINDOWS & DOORS**  
An introduction to our product ranges

**CONSERVATION™ BOX SASH WINDOWS**  
A favourite with architects, planning authorities and preservation societies.

**CONSERVATION™ SPRING SASH WINDOWS**  
Offering the perfect solution for new-build projects

**CONSERVATION™ CASEMENT WINDOWS**  
Our best all-round performing window range

**CONSERVATION™ ENTRANCE DOORS**  
Made-to-order traditionally manufactured entrance doors in classical and contemporary styles

**CONSERVATION™ FRENCH, BALCONY & BI-FOLDING DOORS**  
Made-to-order French, Balcony & Bi-Folding doors that combine elegant traditional sightlines with modern performance

**FACTORY TOUR**  
Take the opportunity to visit our state-of-the-art manufacturing facilities

**THE PROFESSIONAL'S CHOICE**  
Technical support for specifiers

**CONSERVATION™ BOX SASH WINDOWS**  
Section drawings

**CONSERVATION™ SPRING SASH WINDOWS**  
Section drawings

**CONSERVATION™ CASEMENT WINDOWS**  
Section drawings

**CLASSIC™ RANGE**  
Sash windows designed specifically for more stringent planning areas, externally glazed with slim glazing, true bars and a traditional putty finish. Accompanied by section drawings

**HERITAGE™ RANGE**  
Designed to replace original period windows in listed properties and in conservation areas, single glazed, with true bars and a traditional putty finish. Accompanied by section drawings



MUMFORD & WOOD LIMITED IS THE UK'S LEADING MANUFACTURER OF QUALITY TIMBER WINDOWS & DOORS

Copyright © 2018 Mumford & Wood Limited. All rights reserved.



# MUMFORD & WOOD

BRITAIN'S FINEST TIMBER WINDOWS & DOORS

Since 1954 Mumford & Wood has established a hard-won reputation for timber windows and doors that combine cutting-edge technology with traditional aesthetics. From landmark refurbishments to residential developments, Mumford & Woods design team have been instrumental in helping architects, developers and aspirational homeowners to achieve the highest performance and quality for their properties.

Our Conservation™ timber windows and timber doors appeal to both the aesthetic and functional requirements of architects, planning authorities, preservation societies and end-users alike. These products, including our timber sash windows, use the best of traditional features with a choice of deep moulded profiles, advanced timber section design and timber material.

With a variety of glazing options, including double, slim and single glazed, all of our Conservation™ products are hand crafted, with a series of sanding processes to achieve a traditional look. The resulting timber windows and doors offer the impressive performance of a high-end modern window or door, but with the unique traditional aesthetic that Mumford & Wood is renowned for.



*British craftsmanship*

[www.mumfordwood.com](http://www.mumfordwood.com)





# CONSERVATION<sup>™</sup> BOX SASH WINDOWS

This is our highest specification range, designed to directly replace in place of original box sash windows in older properties, or to create a traditional appearance in new builds.

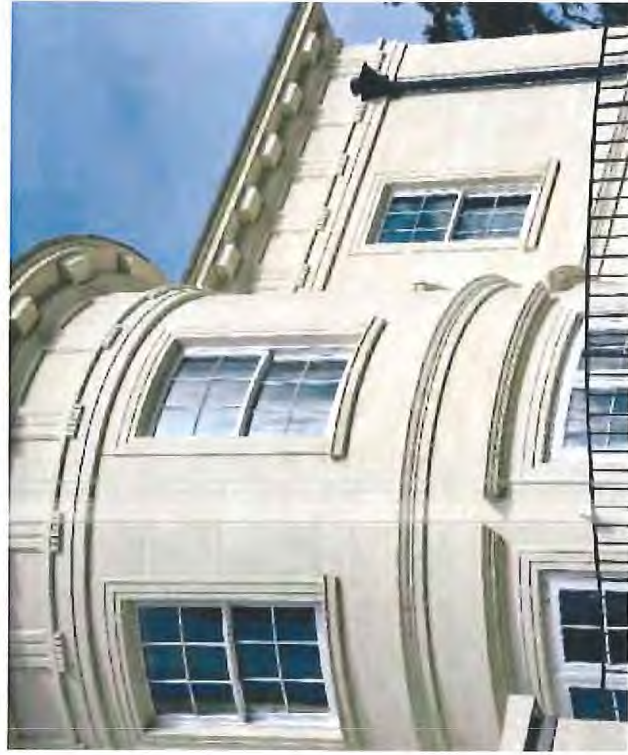
These windows offer the best of both worlds, boasting an enviable combination of authentic period styling and features, together with the very latest in timber window technology, for improved security and double glazing for superb thermal and acoustic performance.





A favourite with architects, planning authorities and preservation societies, the Conservation™ box sash features traditional weights, heavy duty ball bearing pulley wheels and pre-stretched nylon cords that will not break or stretch.

The distinctive deep moulded internal profiles are available in a choice of either ovolo or lamb's tongue profiles with elegant glazing bars to match.





**MAIN IMAGE**  
 3 ST. MARYS LONDON  
 Our beautiful Inker Conservation™  
 sets windows were specified for this  
 historic new build residence in  
 Wimbledon Village.





**MAIN IMAGE**

**FURNIVAL HOUSE, LONDON**  
 Our beautiful timber Casement™  
 box sash windows have been specified  
 in the complete internal and external  
 renovation of this 1916 Edwardian  
 Boutique Grade II listed building. The  
 building was converted into 2, 3 and  
 4-bedroom luxurious contemporary  
 lifestyle residential units by Furnival  
 House Developments Limited.





CONSERVATION® SPRING SASH WINDOWS



# CONSERVATION™ SPRING SASH WINDOWS

Featuring pre-finished spring balances in place of traditional weights and pulleys, these double-glazed windows offer a sleek period styling combined with the latest timber window technology and skilled craftsmanship.

Double-glazed to exceed required energy efficiency standards, this high specification range brings the much-loved sash window into the 21st Century.





Conservation™ spring sash windows offer the perfect solution for new-build projects and buildings requiring a flush-reveal installation. These popular double glazed windows ensure ultimate standards of security, thermal and acoustic performance which exceed the requirements of current Building Regulations.



**MAIN IMAGE & PAGE 22**  
**ASOUTH HOUSE**  
*Superb new-build featuring many beautiful and bespoke design enhancements together with our Conservation™ spring sash windows and entrance doors.*





In conservation areas, and in more modern buildings of traditional architectural style, we have designed a simple box cover to completely conceal the modern spring balance which achieves an authentic period aesthetic. The quick-fit staff and parting bead can be easily removed for quick and efficient redecoration.



MAIN IMAGE & INSET  
MAIDA VALE, LONDON  
*Beautiful Conservation  
Tile & Staff with window frame  
has specified in the economy  
refurbishment of a country  
manor back to efficient  
Maida Vale, London.*



These specially adapted sash windows are hung on pre-tensioned springs and have a tilt-and-slide bottom sash which efficiently and conveniently fits inwards into the room. Externally the window coordinates with all products in the Conservation™ collection, has slender meeting rails, fine glazing bars and traditional mouldings.





CATHERINE STREET, LONDON, WC1E

The elegant architecture of Covent Garden in London, West End, boasts an eclectic atmosphere. Her streets, London's and many across the nation. Here, double-glazed Conservation Du casement windows, some with curved heads, reflect in a key configuration with decorative finlights above, closely replicate the original.



# CONSERVATION™ CASEMENT WINDOWS

A high performance casement window range offering traditional sightlines that coordinate with the full Conservation™ suite of products. Have a timeless traditional appearance of casement to frame.

Ideal for both older properties and newbuild projects, every window is made to order to your specific design.

Create the size, number of panes, with or without glazing bars, profile style and opening method, and we will design and manufacture for you.



Our established double glazed Conservation™ cement range offers excellent performance ratings that exceed the requirements of current Building Regulations. Our A+ rated specification, with its carbon neutral status in accordance with the BRE Green Guide to Specification, will help architects and designers achieve essential materials credits for their creations.

These elegant windows are also Secured by Design accredited for your total peace of mind.



MAIN IMAGE & INSET  
TURBERRY RESORT  
*The magnificent east coast of Scotland is home to the landmark Turberry Resort and now over 1,000 Conservation™ cement windows and doors as part of its renovation.*





**MAIN IMAGE**  
**SUFFOLK NEW BUILD**  
 A new build home in the Suffolk  
 Mansfield & Wood Conservation  
 Range specified in its construction  
 Sub and Cement windows  
 painted in a shade of off-white,  
 with the entrance doors in Red  
 Grandis Stained Oak, which form  
 important elements of the overall  
 design.





MAIN IMAGE  
BERNARDS CROSS  
Boysie rose build frame with  
Generation 20 finish elements.  
Designed to reflect the style of  
neighbouring houses in this area of  
exceptional character.





# CONSERVATION<sup>™</sup> ENTRANCE DOORS

Constructed using traditional methods while exceeding today's standards of thermal and acoustic performance, our entrance doors are made to order to suit your precise specifications. This includes raised and beveled panels, double-glazed units, air sealing, fanlight grilles and transoms. Each entrance door is supplied with three coats of spray-on, high quality, highly durable, moisture-resistant paint.

Naturally protected by Design and Crafted

	30 YEARS WARRANTY
	10 YEARS WARRANTY
	10 YEARS WARRANTY
	10 YEARS WARRANTY
	5 YEARS WARRANTY



CONSERVATION FASHIONED DOORS



CONSERVATION FASHIONED DOORS





DUTCH EAST  
CONCEPTS

*"The windows and doors are simply brilliant - it was a real treat to see traditional Dutch design used in an industrial building. We wanted to blend the glass walls to create a sense of light and air and to give a nod to the architectural tradition of long and narrow windows."*



# CONSERVATION FRENCH, BALCONY & BI-FOLDING DOORS

Tradition meets innovation with the Conservation™ range of double-glazed French Doors, Balcony Doors and Bi-Folding Doors. All combine elegant traditional aesthetics with modern performance.

French Doors are made in 57mm thick sections to give a traditional feel with excellent operation and stability.

Balcony Door feature particularly narrow widths to maximise natural light.

Our made-to-order Bi-Folding Doors can accommodate up to seven leaves, spanning openings of up to 5.5m.

30 YEARS  
30 YEARS  
30 YEARS  
30 YEARS  
30 YEARS

Featuring high-performance weather stripping, complete with multi-point locking systems and high security cylinder, our Secured by Design accredited French doors offer high thermal performance with U-values that surpass the requirements of current Building Regulations.









Our core specification Bifolding Doors feature an oval sash profile, with or without glazing bars, and the option of a lamb's tongue profile to coordinate with your windows and doors. They are also available with a square profile to achieve a more contemporary style.

Factory finished and double glazed, 24mm Argon filled panels with low-emissivity glass coating as standard specification can be exchanged for laminated or obscure glass, while stylish ironmongery is available in a choice of elegant designs and finishes.



**MAIN IMAGE**  
**THE HORN, NORFOLK**  
*Bifolding doors are the perfect addition to this barn conversion near Thetford Forest.*



**MAIN IMAGE**  
**DANBURY ESEK**  
 Generation™ range products throughout this new build give a traditional feel, with the sliding doors providing a true link to the garden.



# FACTORY TOUR

## BUILT TO PERFECTION

Mumford & Wood's state-of-the-art manufacturing facility in Tiptree, Essex, extends to over 3,000m<sup>2</sup> and has recently undergone a £1.5m investment in new plant and equipment.

For those who are interested in seeing how the Mumford & Wood facility works, the Tiptree Factory Tour provides a fascinating insight. This one-hour long tour will take visitors through the processes of timber selection and preparation, moulding of profiles, frame and sash assembly to painting, glazing, hand finishing and wrapping.



Our factory tour is a RIBA-assessed CPD. To find out more and arrange a visit for yourself and your colleagues, please call us on 01621 818155.





# THE PROFESSIONAL'S CHOICE

For over 60 years Mumford & Wood has worked in partnership with architects, specifiers and designers on a wide range of residential, leisure and commercial projects.

The comprehensive Technical section of the Mumford & Wood website offers an unrivalled comprehensive product library of specialist resources to support your work including n5Plus, n5S, BIM, n5S product selection, Constructionline, our extensive self-download library, Building Regulations and performance data, and our 24/7 access LFD.



Our highly experienced Sales team can help in the early project phases, provide advice on the latest regulations and be the overall project lead of your project

[www.mumfordwood.com/technical](http://www.mumfordwood.com/technical)



[www.mumfordwood.com](http://www.mumfordwood.com)

Tel: 01621 818155



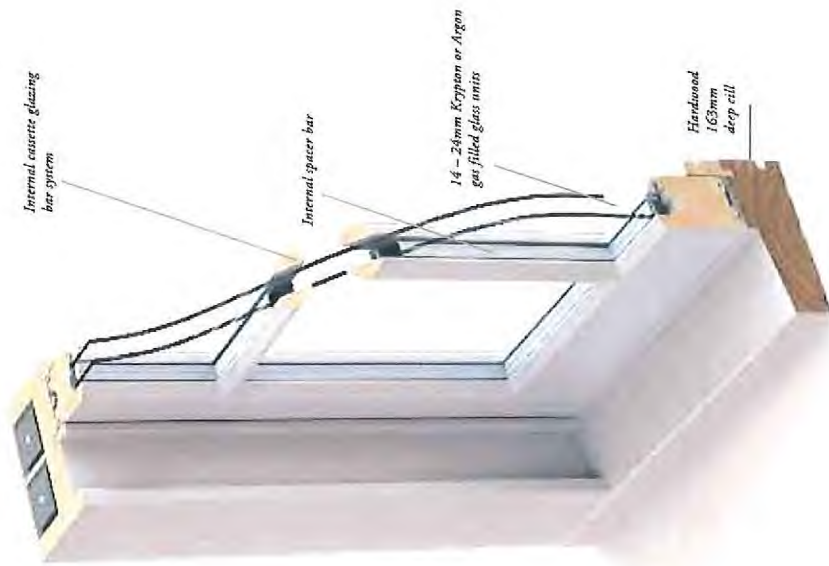
Copyright © 2014 Mumford & Wood Limited. All rights reserved.

Mumford & Wood is a registered company in England and Wales, registered number 01621 818155. Mumford & Wood is a registered company in the Republic of Ireland, registered number 01621 818155. Mumford & Wood is a registered company in the United Kingdom, registered number 01621 818155. Mumford & Wood is a registered company in the United Kingdom, registered number 01621 818155.

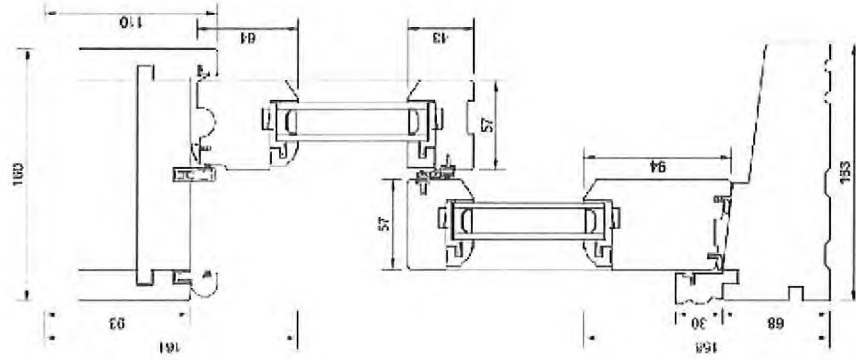


# CONSERVATION BOX SASH WINDOW

This is our highest specification range, designed to directly retro-fit in place of original box sash windows in older properties, or to create a traditional appearance in new-builds.



# CONSERVATION BOX SASH WINDOW



Our highly experienced sales team can help in the design process, provide advice on the latest regulations, and our central library of specification resources to support your project.

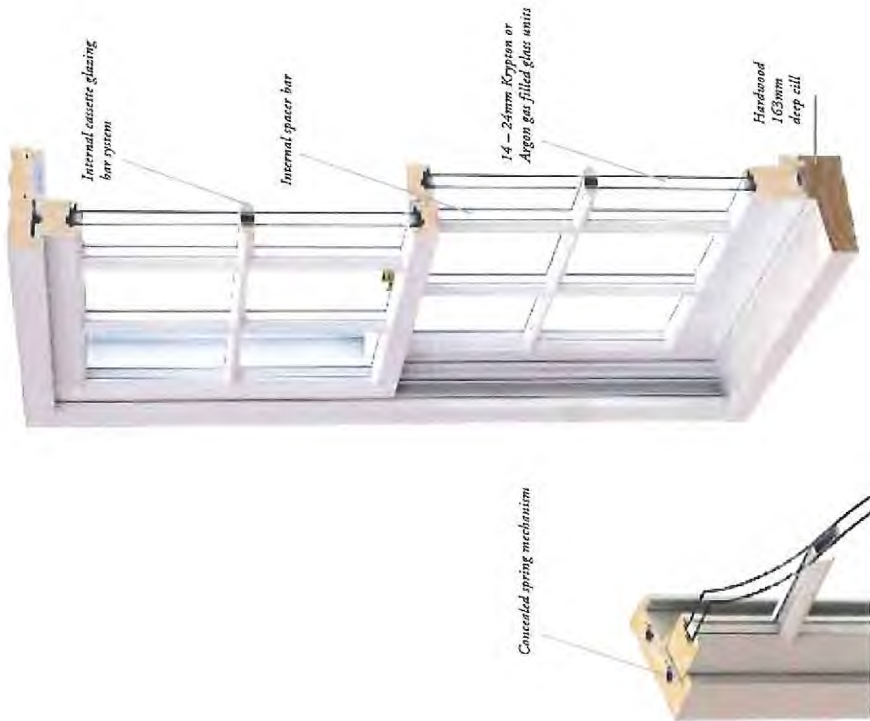
[www.mumfordwood.com/technical](http://www.mumfordwood.com/technical)



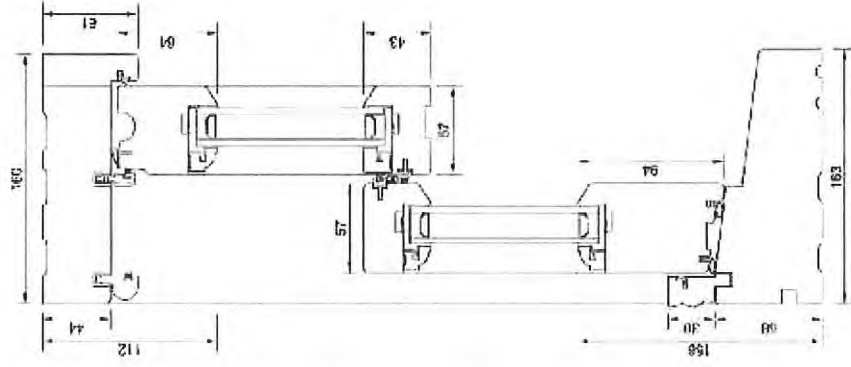
British craftsmanship

# CONSERVATION SPRING SASH WINDOW

Featuring pre-tensioned spring balances in place of traditional weights and pulleys, these double glazed windows offer classic period styling combined with the latest timber window technology and skilled craftsmanship.



# CONSERVATION SPRING SASH WINDOW



Our highly experienced sales team can help in the design process, provide advice on the latest regulations, and ensure the highest standards of craftsmanship to support your project.

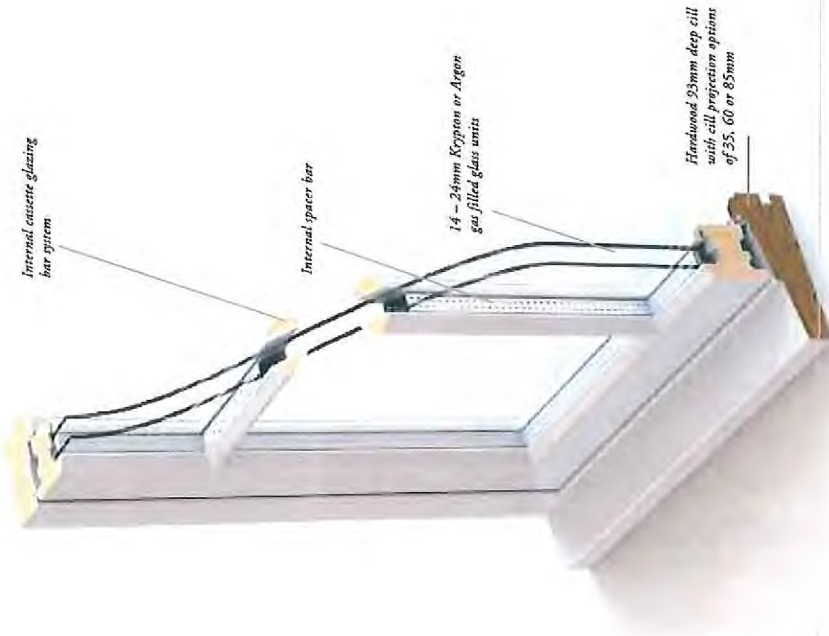
[www.muhammad.com/technical](http://www.muhammad.com/technical)



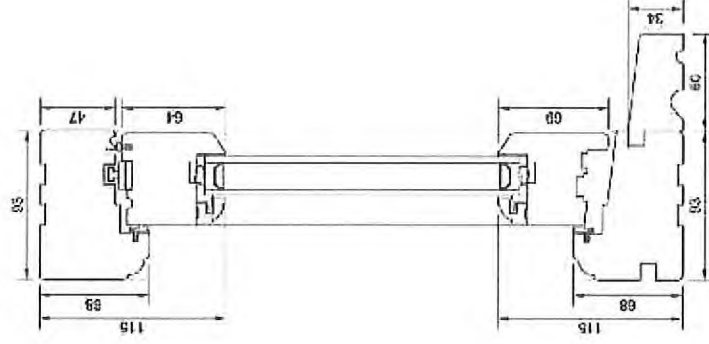
British craftsmanship

# CONSERVATION CASEMENT WINDOW

A high performance casement window range offering traditional sightlines that coordinate with the full Conservation™ suite of products have a flush-line traditional appearance of casement to frame.



# CONSERVATION CASEMENT WINDOW




Our highly experienced sales team can help in the design process, provide advice on the latest regulations, and awarded letters of specification reference to support your project.

[www.mumfordwood.com/technical](http://www.mumfordwood.com/technical)



British craftsmanship






# CLASSIC™ RANGE

Our Classic™ Range of sash windows and doors are designed specifically to satisfy the requirements of more stringent planning areas.


Combining traditional appearances with the features of modern manufacturing techniques using slim, elegant double glazed panes, the Classic™ Range is the perfect choice for period property upgrade and replacement.

These made-to-order slim double glazed products are available with a choice of profiles and feature individual 14mm slim profile units with true bars and a traditional external putty faced finish.

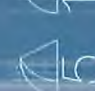
Toughened glass is provided as standard however, the opportunity to achieve the natural appearance of hand-blown glass with reduced reflection is possible with the option to choose either Victorian sheet or Crown glass.




30 YEARS



10 YEARS



5 YEARS



10 YEARS

# CLASSIC™ RANGE

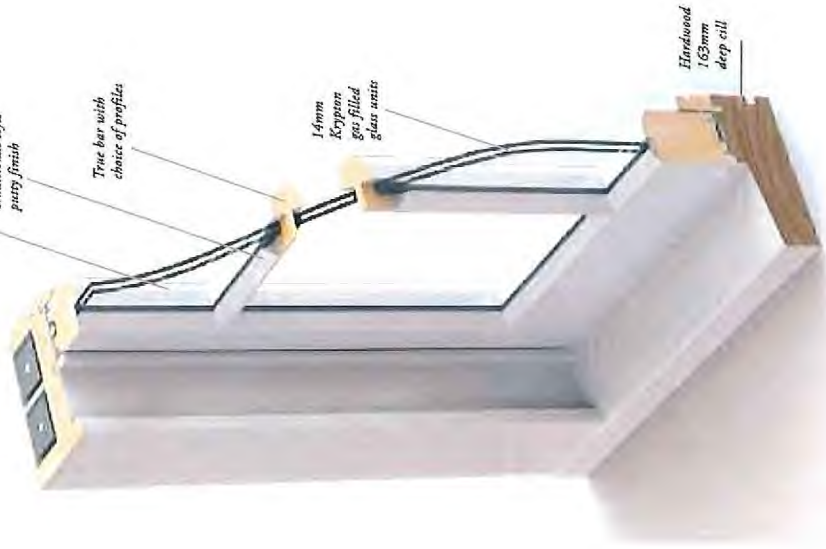
Toughened as standard, with the optional choice of Crown or Victorian glass

Traditional-style putty finish

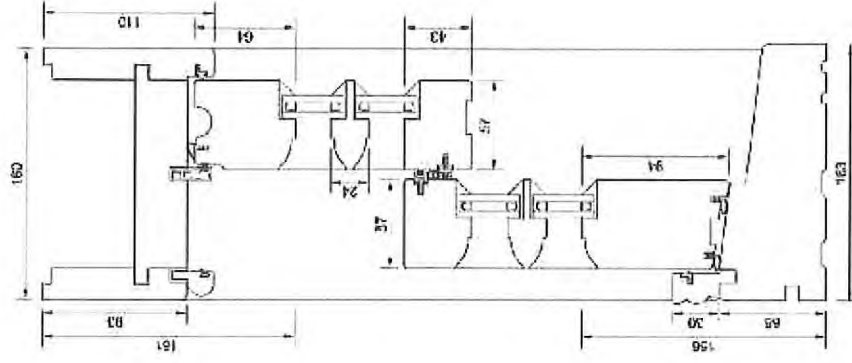
True bar with choice of profiles

14mm Krypton gas filled glass units

Handwood 163mm deep sill



# CLASSIC™ RANGE



Our highly experienced sales team can help in the design process, provide advice on the latest regulations, and essential listing of specifications necessary to support your project.

[www.mumfordwood.com/technical](http://www.mumfordwood.com/technical)



British craftsmanship



FRANCIS & MILLER  
CHELSEA  
Single glazed, Casement™  
historic has with windows were  
made-over in the domestic  
renovation of the main building  
of the Duke of York's 1510.  
Children, and the base of the  
Staircase Gallery.



# HERITAGE<sup>TM</sup> RANGE

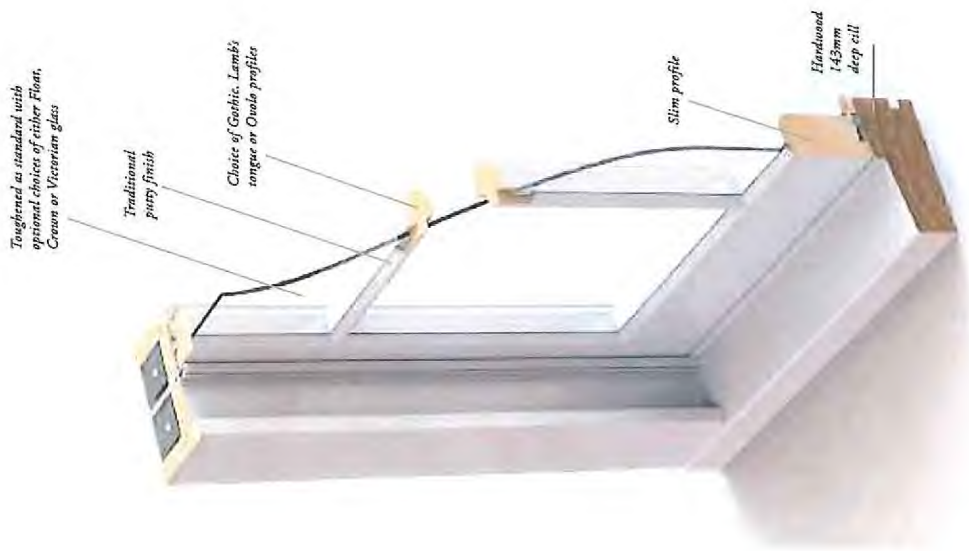
Our fully coordinated Heritage™ range of authentic period windows and doors are designed to replicate and replace original single glazed windows, like-for-like to the very finest detail, and are particularly suited for listed buildings and strong in planning requirements.

Manufactured as single glazed frames with hand-faced external putty and true bars, just as the original would have been, Heritage™ windows and doors feature 4mm leaded glass or choice of Heritage style glass to give a more authentic, uneven finish. Each window is bespoke in size and pattern with a profile preference of Georgian, Gothic, Victorian or Queen Anne style, to precisely replicate the original.

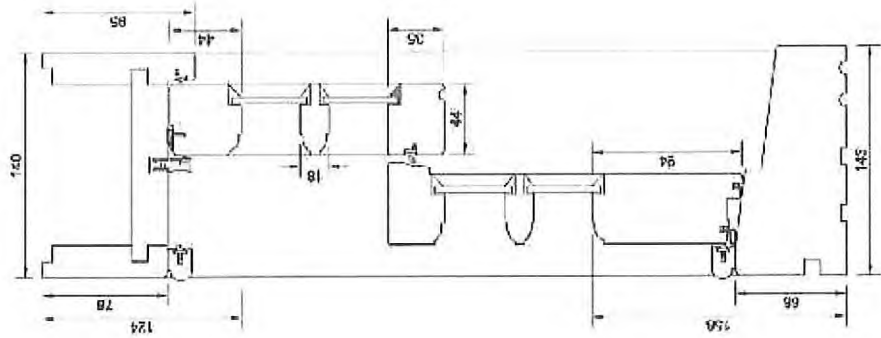
The natural choice for listed properties, where there is no requirement to meet current Building Regulations.

\*Subject to plan no approval.

# HERITAGE™ RANGE



# HERITAGE™ RANGE



Our highly experienced sales team are happy to help in the design process, provide advice on the latest regulations, and ensure all items of specification reference to support your project.

[www.mumfordwood.com/technical](http://www.mumfordwood.com/technical)



British craftsmanship



Tel: 01621 818155  
Fax: 01621 818175  
Email: [sales@mumfordwood.com](mailto:sales@mumfordwood.com)  
[www.mumfordwood.com](http://www.mumfordwood.com)





**MUMFORD  
& WOOD**

EST. 1954

Mumford & Wood Limited  
Tower Business Park  
Kelvedon Road  
Tiptree Essex CO5 0LX

Tel: 01621 818155

Fax: 01621 818175

Email: [sales@mumfordwood.com](mailto:sales@mumfordwood.com)

[www.mumfordwood.com](http://www.mumfordwood.com)

Copyright © 2018 Mumford & Wood Limited.

