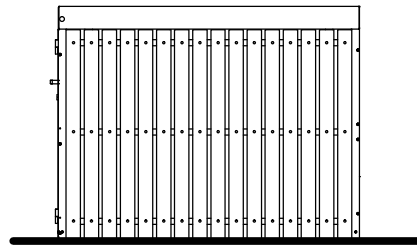
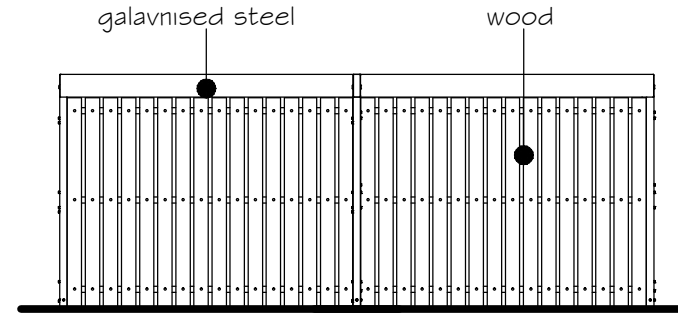


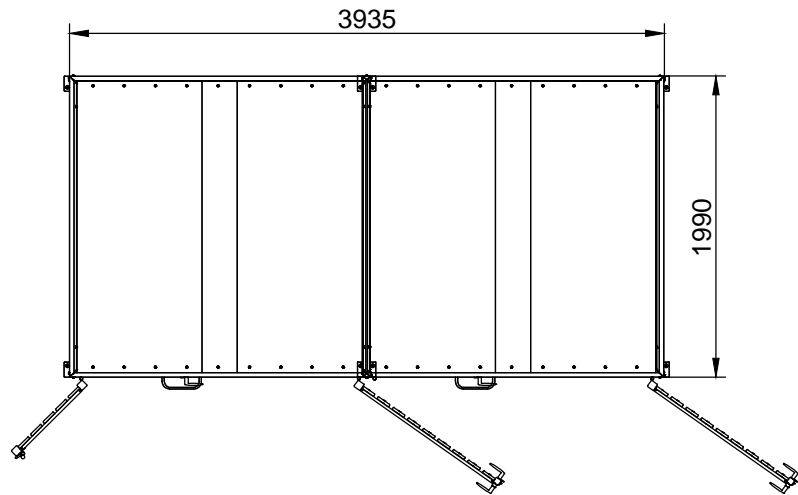
Front Elevation, 1:50 @A3



Side Elevation, 1:50 @A3



Rear Elevation, 1:50 @A3



Plan, 1:50 @A3



FalcoCrea Cycle Store  
for 8No bikes



FalcoCrea Cycle Store



FalcoCrea Cycle Store Past Project



FalcoCrea Cycle Store Past Project

Notes:

do not scale:  
detailed drawings and larger scale drawings take precedence. Figured dimensions only are to be taken from this drawing.

dimensions:  
All building and site dimensions, levels and sewer invert levels at connection points are to be checked and verified on site by the contractor before the commencement of works. All dimensions are to be checked prior to the placement of orders for materials or the fabrication of work and any discrepancy, omission or error is to be reported to the Architect immediately for verification.

specification:  
The Contractor is to comply with current Building Legislation, British Standard Specifications, Building Regulations etc. Whether or not specifically stated on this drawing. This drawing must be checked against and read in conjunction with any structural or other relevant specialist and design documentation provided.

revisions:

# PLANNING

client:  
Mr Sarno

project:  
12 Tolmeres Gardens  
Cuffley  
Potters Bar  
EN6 4JE

description:  
Release of condition 7  
Cycle store details



head office:  
the old stone masons, 10 st Johns st,  
abergavenny, monmouthshire, np7 5rt  
tel: 01873 851125 fax: 01873 851127

newport:  
first floor, 5 gold tops,  
newport, south wales, np20 4pg  
tel: 01633 245020

e: mail: info@jdwarehitects.co.uk  
w: www.jdwarehitects.co.uk

drawn: RL scale: 1:50 @A3  
date: dec19 sheet of:

job drwg. no: JW820-C7-141 rev:

