



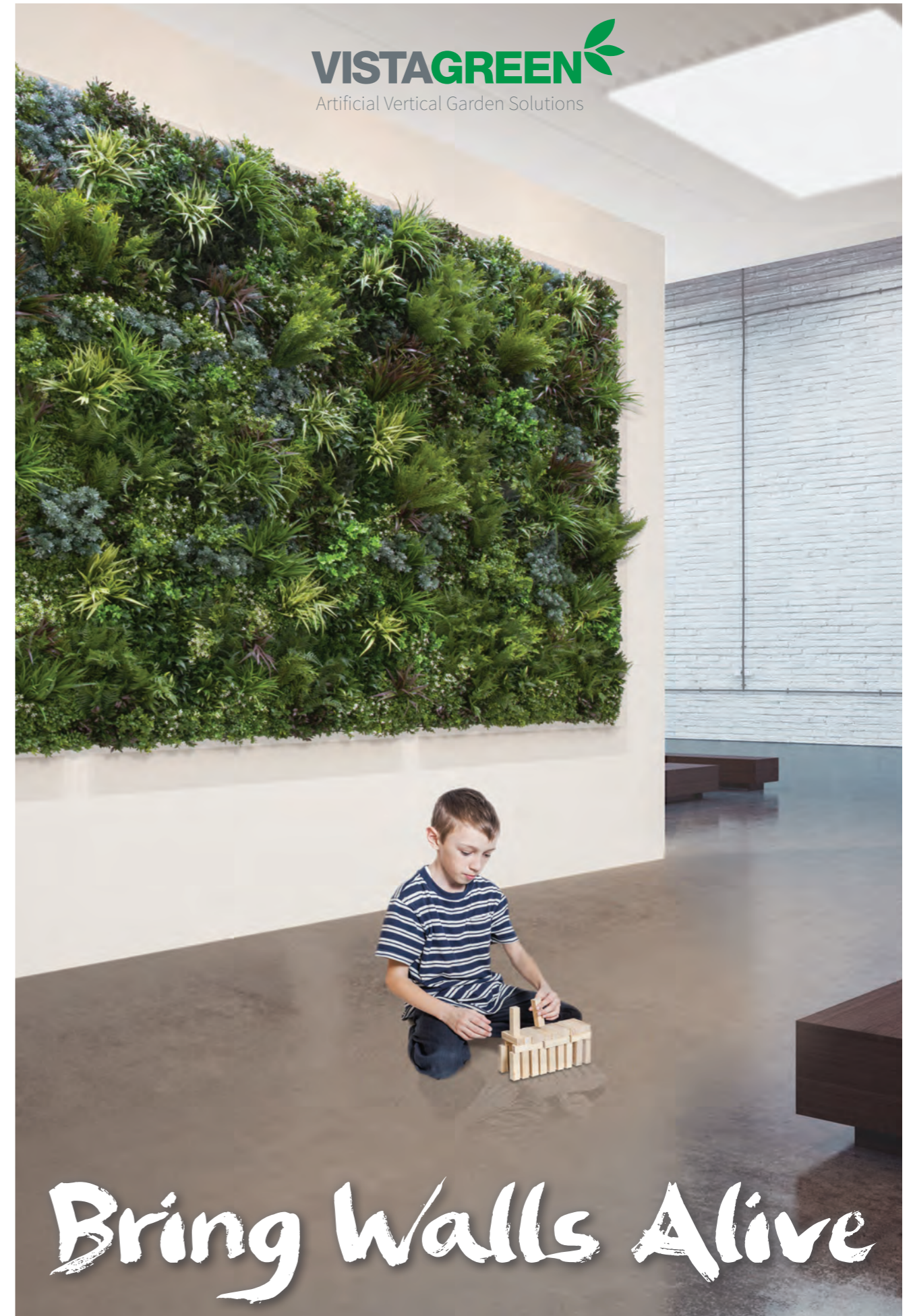
Head Office & Sales Enquiries

+44 (0)20 7385 1020

[info@vistagreen.com](mailto:info@vistagreen.com)



**VISTAGREEN.com**  
Artificial Vertical Garden Solutions



**VISTAGREEN**  
Artificial Vertical Garden Solutions

*Bring Walls Alive*

TECHNICAL & INSTALLATION GUIDE



# Contents

Philosophy	p4
About Vistagreen	p6
Why Specify?	p7
Coverage	p8
Colour Boxes	p9
Measuring	p10
Panel Profile	p12
Installing	p13
Fixing	p15
Cutting the Grid	p16
The Fixing System	p19

# DESIGNED TO BE DIFFERENT

“As a garden designer and horticulturalist with 25 years experience of building gardens for prestige commercial and residential projects, I realised that there was a demand for a flexible system that created the look of beautiful vertical green-wall planting without the hassle of using real plants that require natural light or ongoing maintenance.

‘We approached the challenge to create a product that is not only as good as a natural wall, but better. Developing our unique system has ensured that Vistagreen is the number one artificial vertical garden solution.

‘Our easy-to-fit panels have been designed to give a totally random effect that mimics the look of natural foliage, but requires minimal maintenance. To customise the look, we also offer Colour Boxes that allow you to dress walls with individual plants to create stunning visual effects, giving you absolute creative freedom. Our flexible system means that every wall you create can be as individual as your imagination...”



After studying decorative horticulture, multiple award-winner Paul Alder has worked in horticulture and garden design for 25 years, beginning his career with the Royal Parks at Kensington Gardens and Regents Park.

Paul started his own garden-design business at the age of 24, and won his first National award in 1993 - the British Association of Landscape Industries (BALI) Overall Design and Build award. He has gone on to win multiple Gold, Silver Gilt and Silver Awards at Chelsea Flower Show and Hampton Court Flower Show, and as well as further awards from the Association of Professional Landscapers (APL) and BALI.

Through his horticultural and landscape career, he has undertaken numerous private commissions for celebrity clients and prestige projects throughout the UK and abroad.

*“Vistagreen is the product designers have been demanding to be able to create a beautiful natural look in any environment.”*



## ABOUT VISTAGREEN



Vistagreen is the perfect green wall solution for architects and landscape designers seeking to create the look of beautiful vertical green wall planting in any commercial or residential project - but without the hassle of real plants requiring natural light or ongoing maintenance.

Designed to perfectly mimic natural planting by an award-winning horticulturist with 25 years experience of building gardens for prestige clients.

### Ultra-realistic look

Elegant foliage and flowers designed to mirror how real plants grow together



### Easy to fit

Supplied in manageable easy to fit 80cm x 80cm



### Versatile & robust

Perfect practical solution for residential or commercial projects



## Why Specify Vistagreen?



The Vistagreen system has been rigorously tested and installed in a wide variety of challenging environments, both internal and external. It is quick and easy to install, and requires no maintenance.

### HIGHEST STANDARDS & PERFORMANCE

- Best green wall solution available
- Most realistic plants in the market
- Truly unique designs
- Easily customised to any style
- Hassle free & easy install
- Instant feature wall – all year round
- Suitable for all environments
- Lightweight system
- Allows free flow of air
- No maintenance
- Affordable

### TRIED & TESTED

- Three-panel solution
- Supplied as 80cm x 80cm panels
- 6.5kg per panel
- Faster installation
- Gold standard in artificial green walls
- Fire test certification BS EN ISO 13501-1:2007+A1:2009
- UV tested ISO standard foliage
- 5-years warranty
- Fire-retardant options
- Wind tested
- Freeze tested
- Stress tested

# PANEL STYLES. . .

## Coverage Guide

The key component of Vistagreen's unique artificial wall solution is the Signature Panel, which is used to create the basic vertical garden. It can be further customised if desired with add-on Colour Boxes to create personalised effects.

### UNIQUE 3-PANEL SYSTEM

Vistagreen is supplied in packs of three subtly different panels that combine together to minimise the appearance of repetition and create a completely natural look.

- Each panel measures 80cm x 80cm
- Each basic pack contains 3 Signature Panels (1xA, 1xB and 1xC)
- One pack provides 1.92m of coverage (so if, for example, you have a 2.4m x 2.4m area, you will require three boxes).
- The panels can be cut to fit bespoke areas (NB it is always best to try and avoid cutting to save time).

### Signature Panel



Each Signature Panel has been carefully designed to mimic the growing patterns and movement of natural foliage and to prevent any visible repetition in planting.

## Get a natural, seamless look

The Vistagreen solution uses a unique three-panel system to create a totally natural look without repetition or visible joins. Each Signature Panel pack comes with three panels (A, B and C) that combine for a seamless effect, as below.



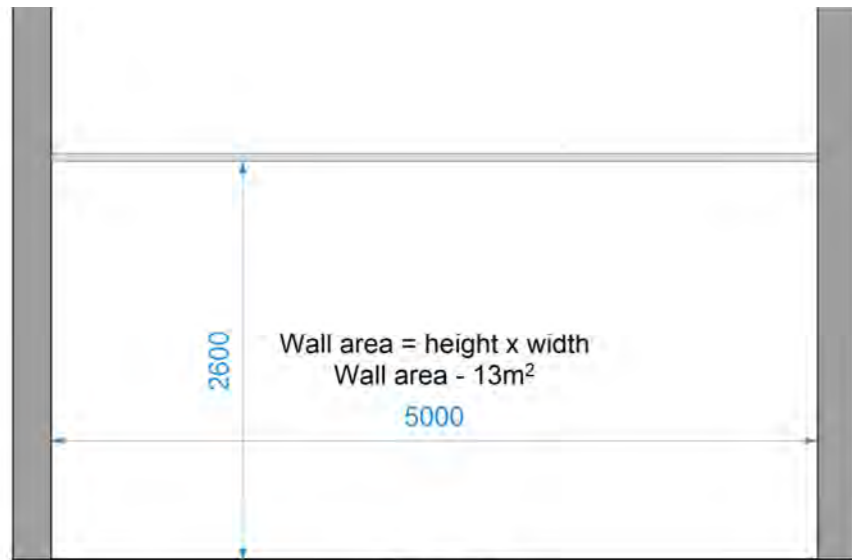
Panels A, B and C combination

## Personalise with Colour Boxes

Colour Box packs contains individual plants that can be tucked into the basic panels to customise the look. In addition, the beautiful Vistagreen Signature Panel can be enhanced with the purchase of Colour Boxes.



## HOW TO MEASURE

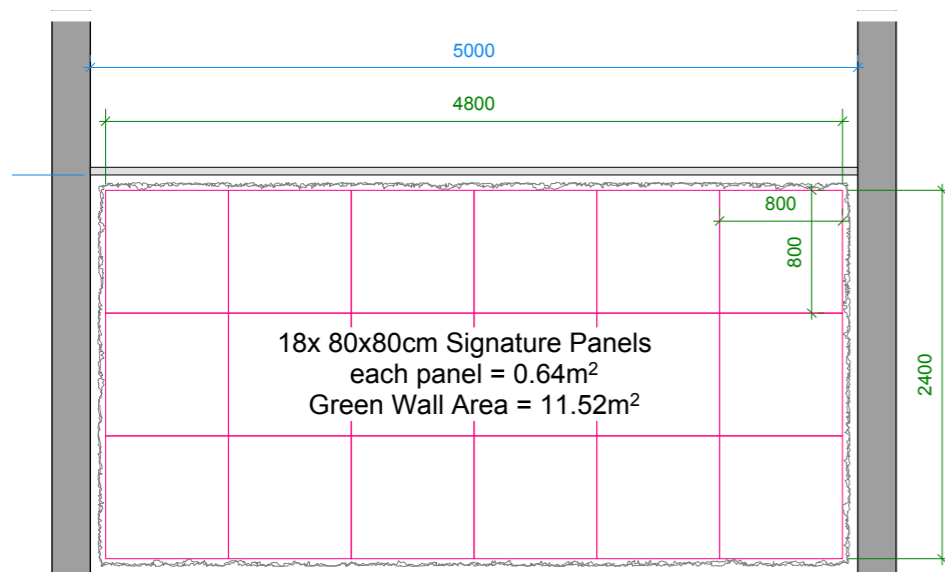


Wall Example

Vistagreen is supplied in packs of three panels which combine together to create a completely natural and non-repeating look. Each basic pack contains three 80cm x 80cm panels.

To measure up, follow these steps.

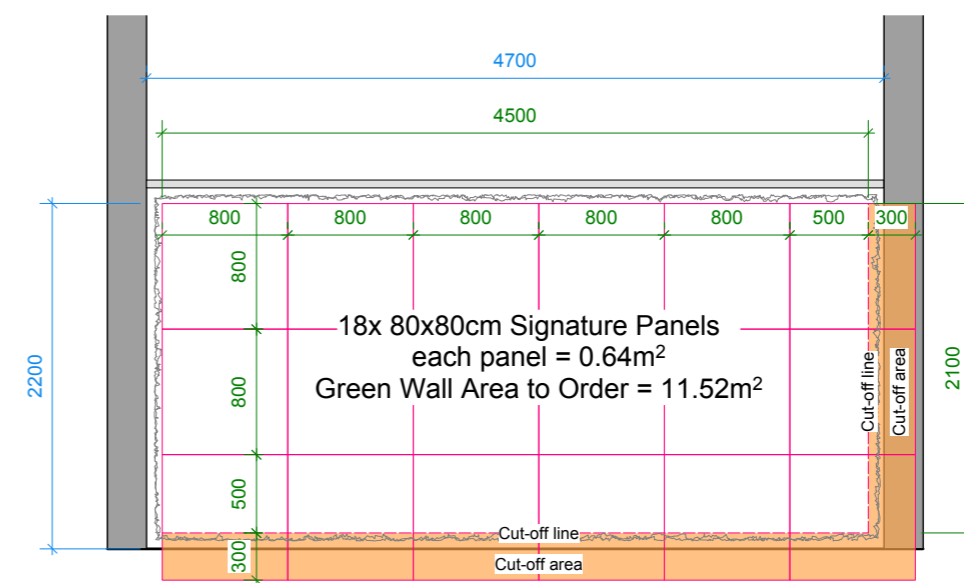
1. MEASURE THE WALL - Height and width.



Wall Example

2. COUNT THE PANELS.  
Count the number of complete panels that you will need. You may need to estimate for any extra panels to fill to the edge of your space. For how to measure for cut-off panels, see guide right.

## HOW TO MEASURE FOR CUT - OFFS

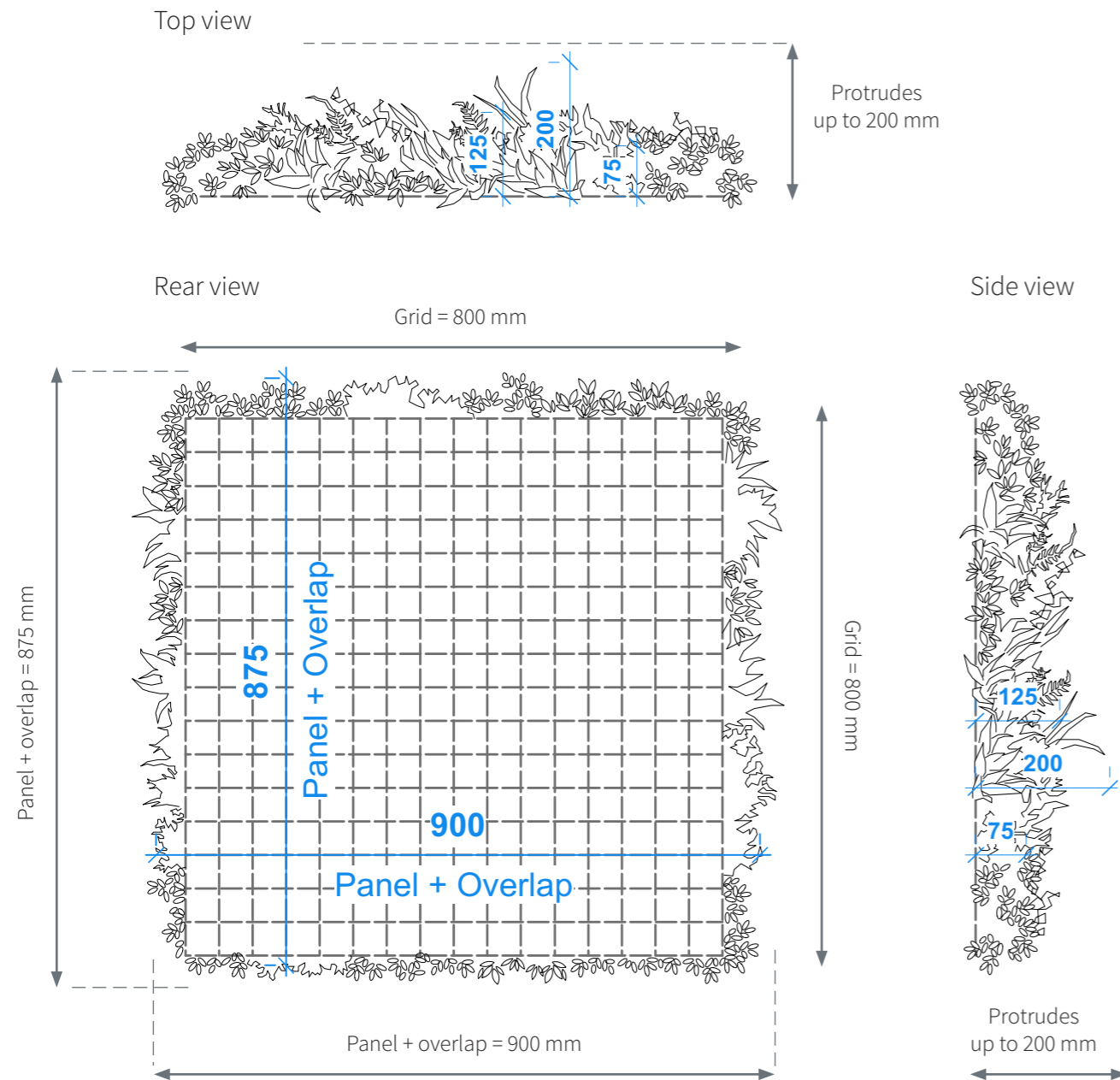


Wall Example

3. ESTIMATE CUT PANELS  
If panels will not fit your space exactly, allow for extra panels which can be cut to size using this guide.



# PANEL PROFILE

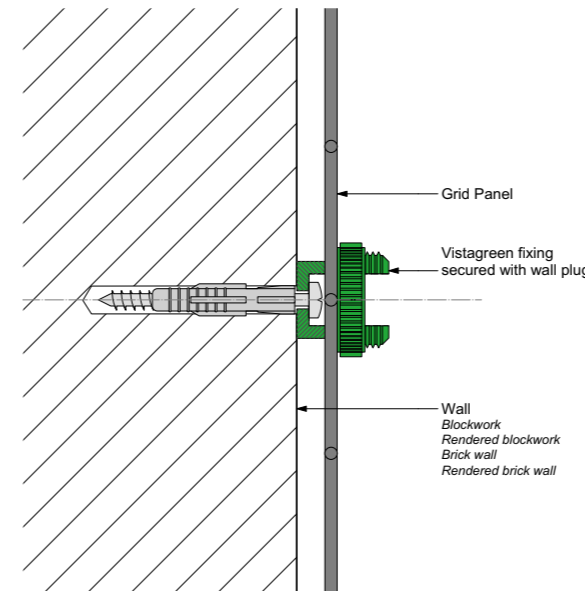


The Vistagreen Signature Panel was designed with an allocation of a small 'planting overlap' to allow for a seamless installation of multiple panels.

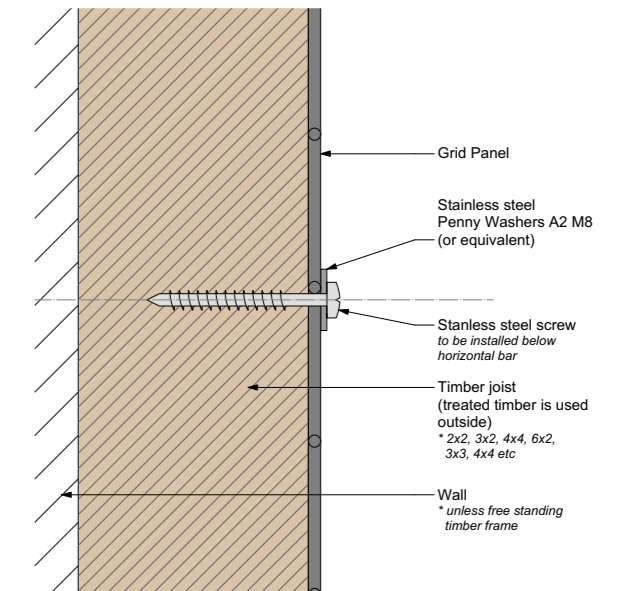
The top overlap is slightly greater than the bottom overlap, whereas the side overlaps are the same. The overlap also serves to disguise the grid which holds the plants.

The plants protrude up to 200mm measured from the grid.

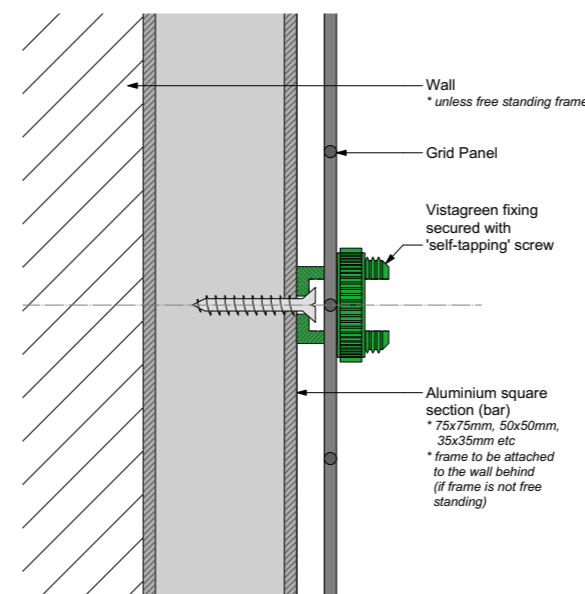
# INSTALLATION METHODS



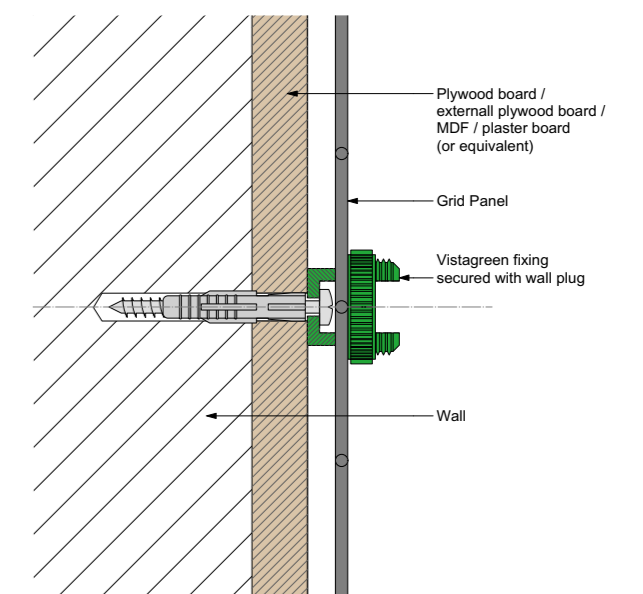
Method 1: Brick/block wall using Vistagreen fixing.



Method 2: Timber frame using screw and washer.



Method 3: Aluminium (metal) bar.



Method 4: Plywood board /MDF /plasterboard.

# 6 STEP INSTALLATION



Step 1



Step 2



Step 3



Step 4

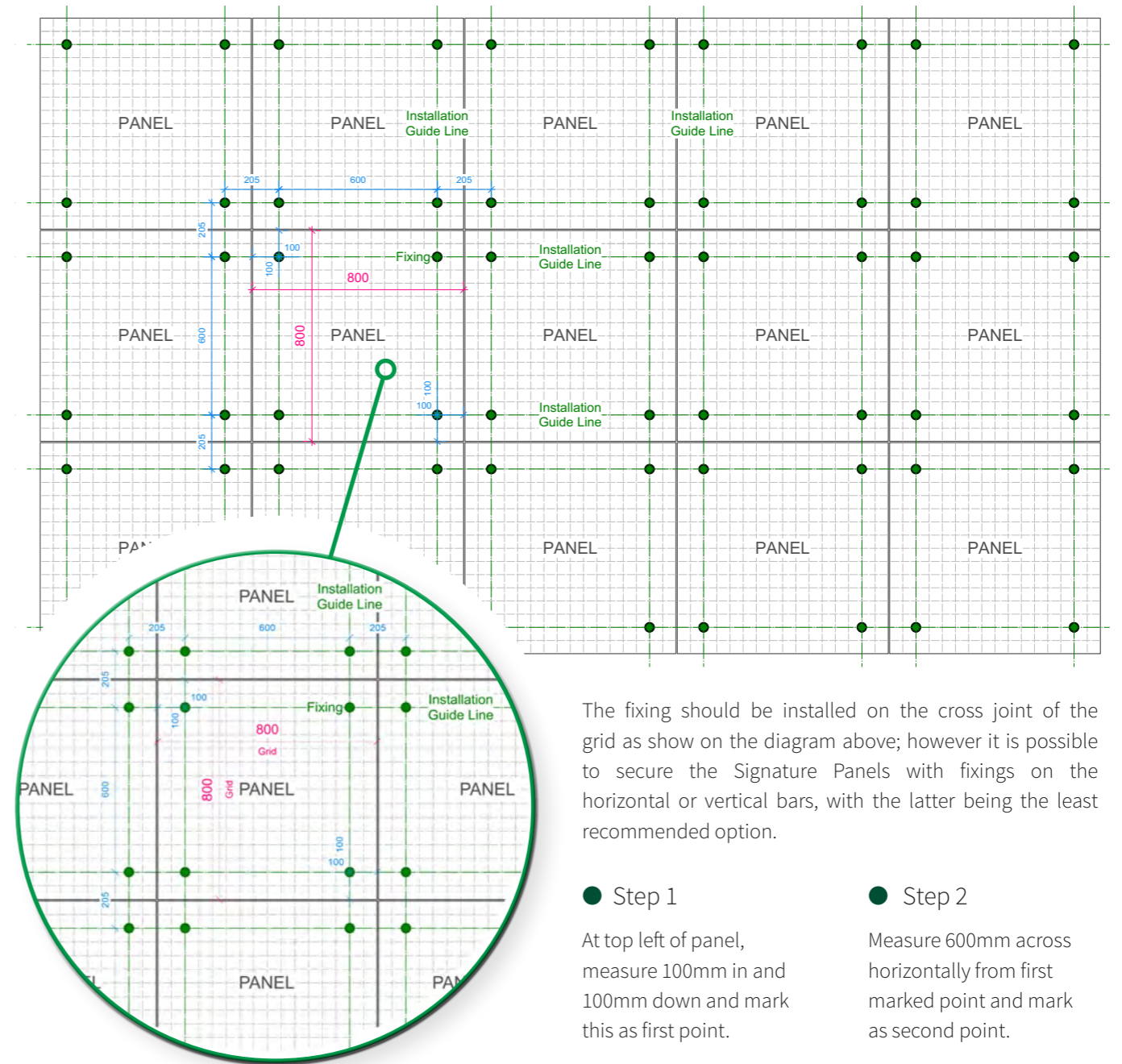


Step 5



Step 6

# FIXING LAYOUT



The fixing should be installed on the cross joint of the grid as shown on the diagram above; however it is possible to secure the Signature Panels with fixings on the horizontal or vertical bars, with the latter being the least recommended option.

- Step 1  
At top left of panel, measure 100mm in and 100mm down and mark this as first point.
- Step 2  
Measure 600mm across horizontally from first marked point and mark as second point.

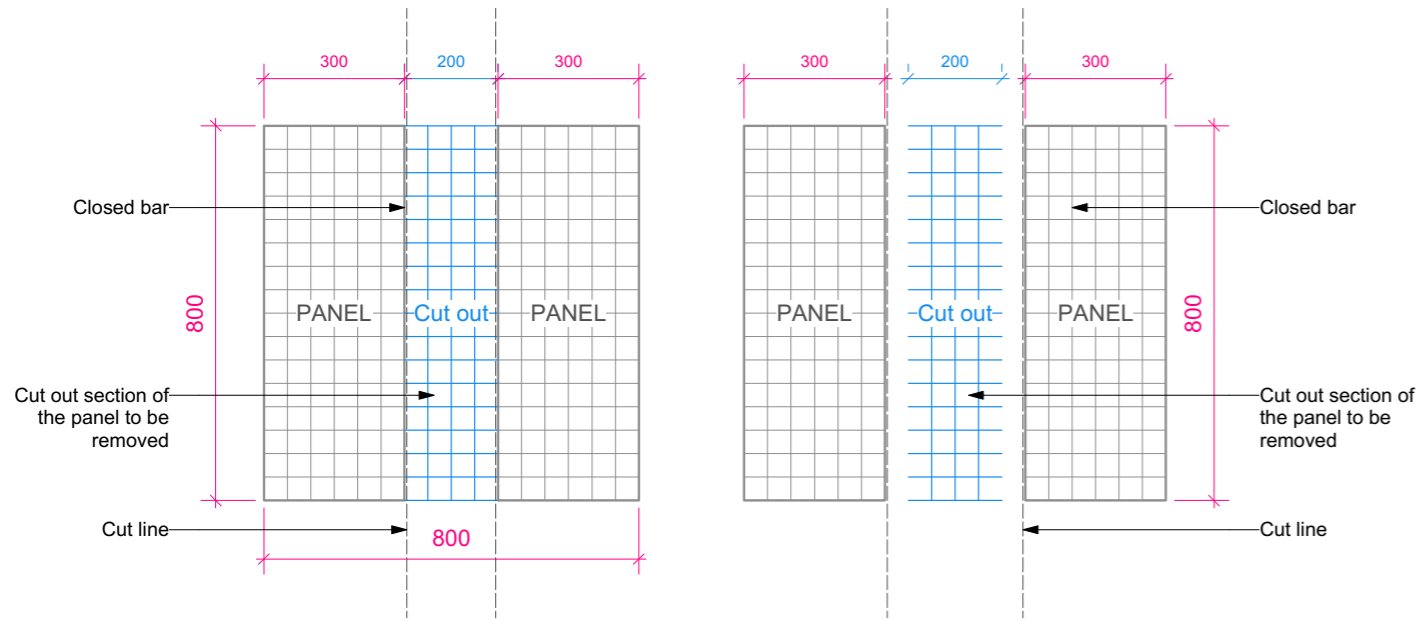
- Step 3  
Measure 600mm down vertically from first marked point and mark as third point.
- Step 4  
Measure 600mm across from third point and mark as fourth point.

- Step 5  
Measure 205mm from point 2 and 4, which become points 1 and 3 of second panel. This process can then be continued throughout installation.





# HOW TO CUT THE GRID



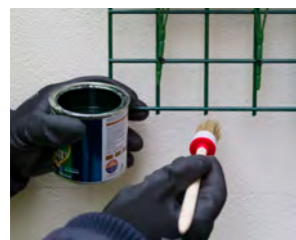
**Step 1**  
Measure carefully and mark the area to be trimmed.



**Step 2**  
Clip off the excess as close as possible to a grid section and separate the parts.



**Step 3**  
File the grid after cutting.



**Step 4**  
Protect cut points with metal paint.



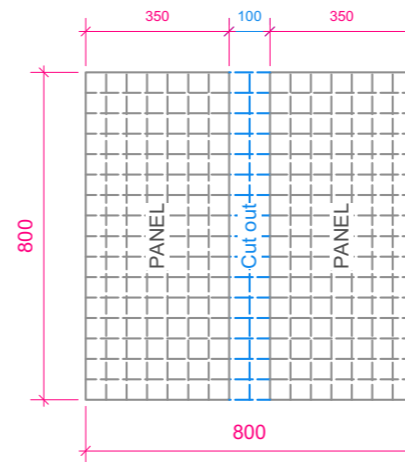
**Step 5**  
Re-attach loose from the vertical off-cuts with cable ties.



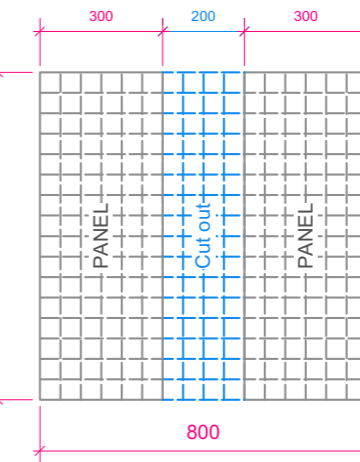
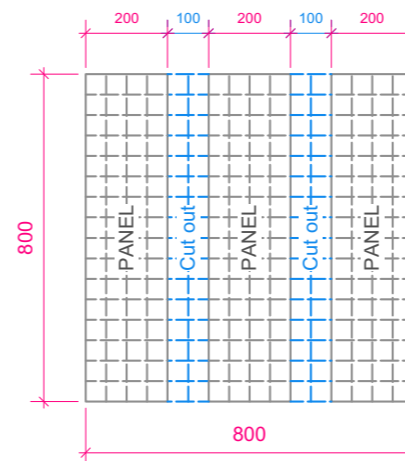
**Step 6**  
Re-adjust any plants on the cut parts and fill in all the gaps with loose foliage in the horizontal cuts.

# Vertical Cutting

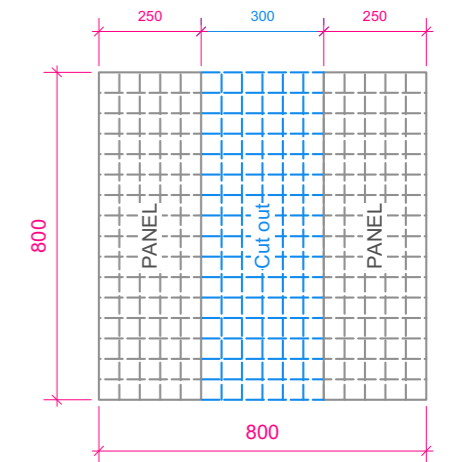
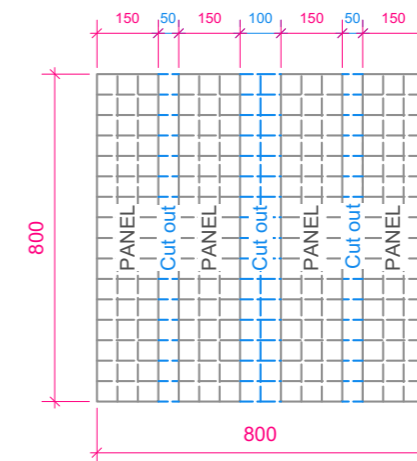
2 sections from one panel



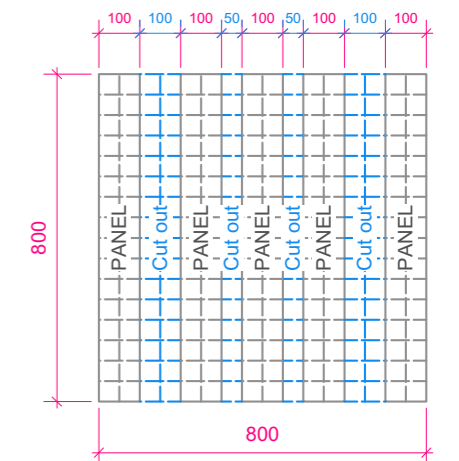
3 sections from one panel



4 sections from one panel



5 sections from one panel



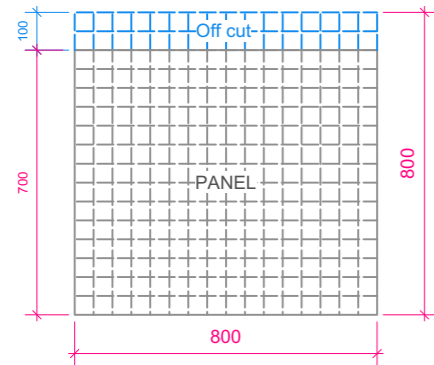
# Cutting tips

## Pro Tips

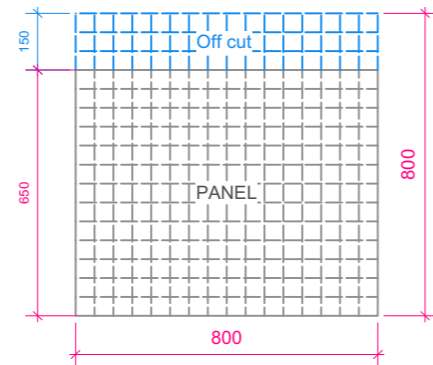
1. All cut panels to finish on a **closed bar** so the plants don't slip off.
2. Spare foliage from the cut off parts to be re-attached to the rest of the green wall where required.
3. Plastic ties to be removed from the off cut parts of the panels.
4. Vertical cuts are easier to make than horizontal cuts.
5. Horizontal cuts to be started from the top of the panels (unless otherwise required).
6. Always cut from the inside out.

# HORIZONTAL CUTTING

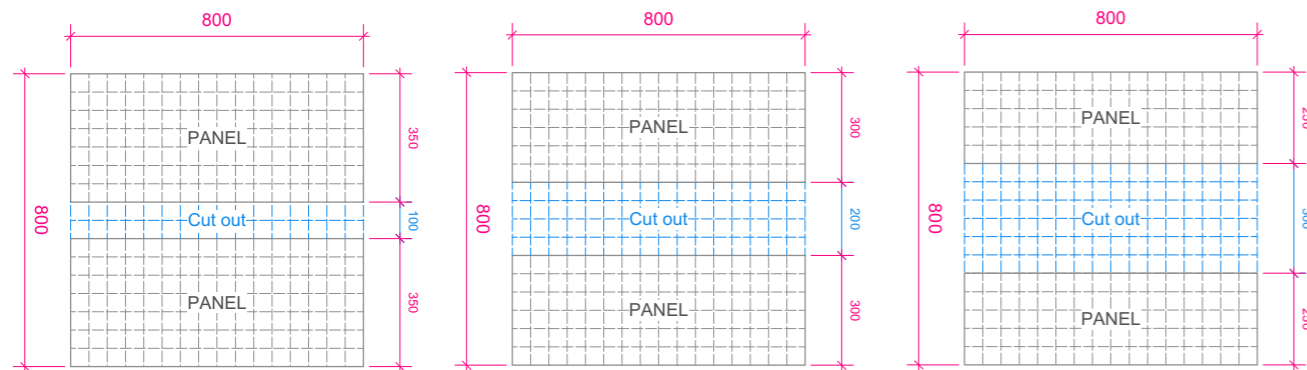
1 x 100mm end off-cut



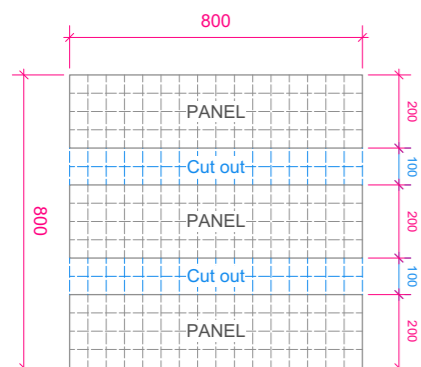
1 x 150mm end off-cut



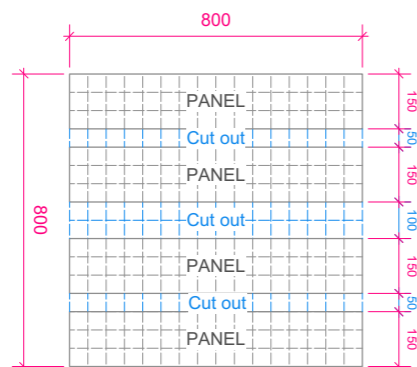
2 x sections from 1 x panel



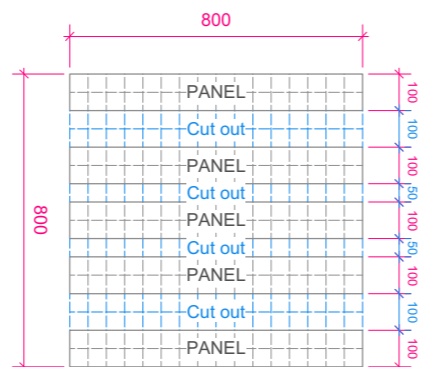
3 x sections from 1 x panel



4 x sections from 1 x panel



5 x sections from 1 x panel



# The Vistagreen fixing system



The Vistagreen fixing system has been specifically designed to securely hold Signature Panels in the optimum position and to give the best result in a wide variety of applications.

Vistagreen Fixings:

- Can be attached to most surfaces simply and quickly using standard tools.
- Create a gap between the Panel and the mounted surface to allow a free flow of air.
- Enable Panels to be removed and remounted easily to allow for cleaning and maintenance.
- Are available in two convenient packs containing either 12 or 120 fixings. Each Signature Panel requires a minimum of 4 fixings.

