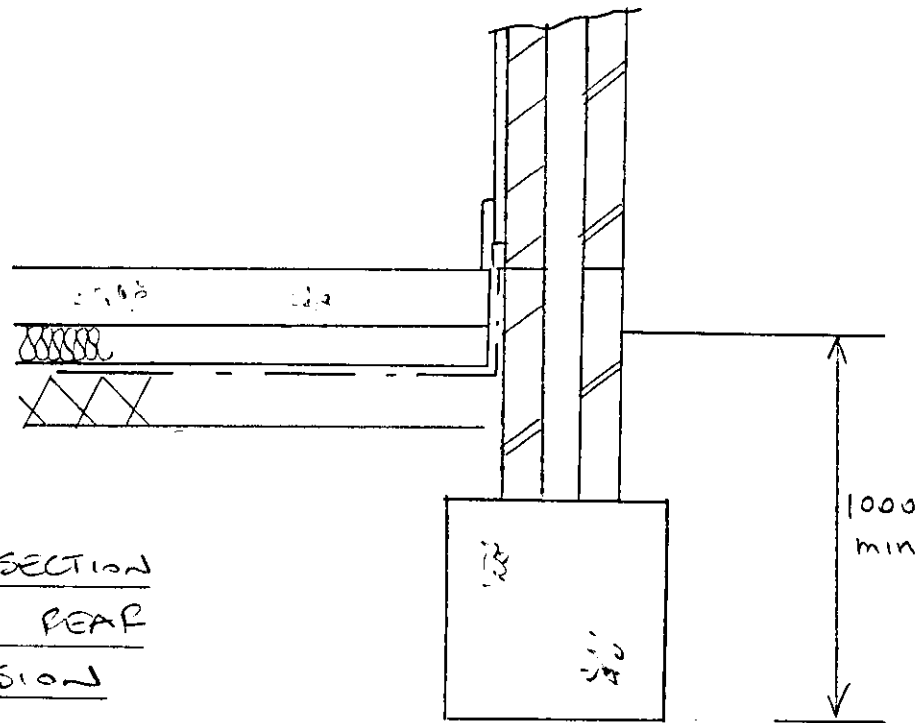
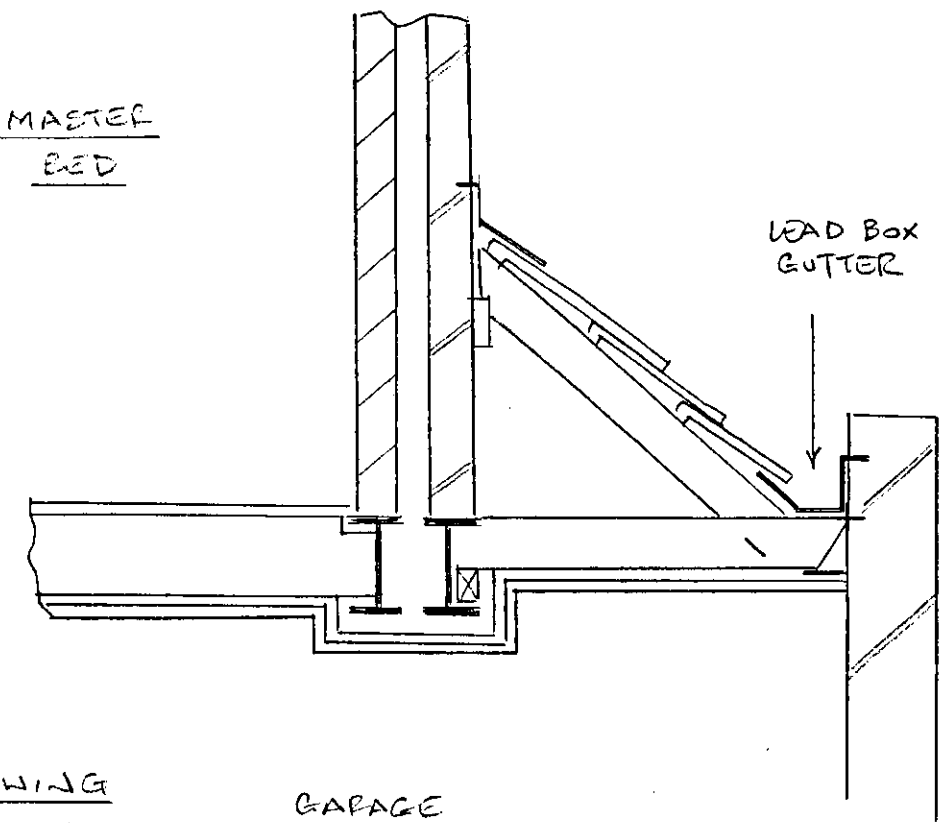


SEE SPECIFICATION
FOR CONSTRUCTION
NOTES.



TYPICAL SECTION
THROUGH PEAK
EXTENSION

MASTER
BED



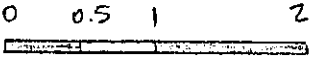
DETAIL SHOWING
SUPPORT TO WALL
OVER GARAGE

PLANNING DEPARTMENT
OFFICE COPY

22 NOV 2010

2010/2772

399 ST ALBANS RD WEST

- TYPICAL SECTIONS
- OCTOBER 2010 . 10/07
- SCALE 1:20 CAB 
- REV 'A' 17.11.10