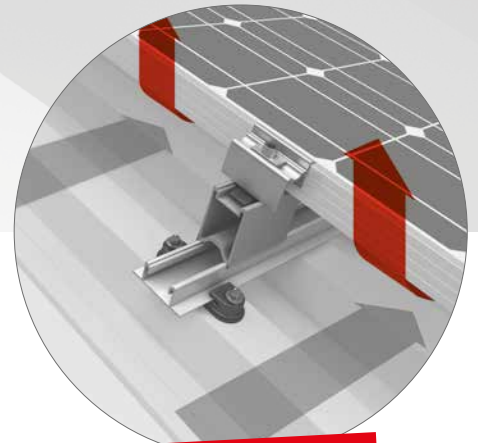
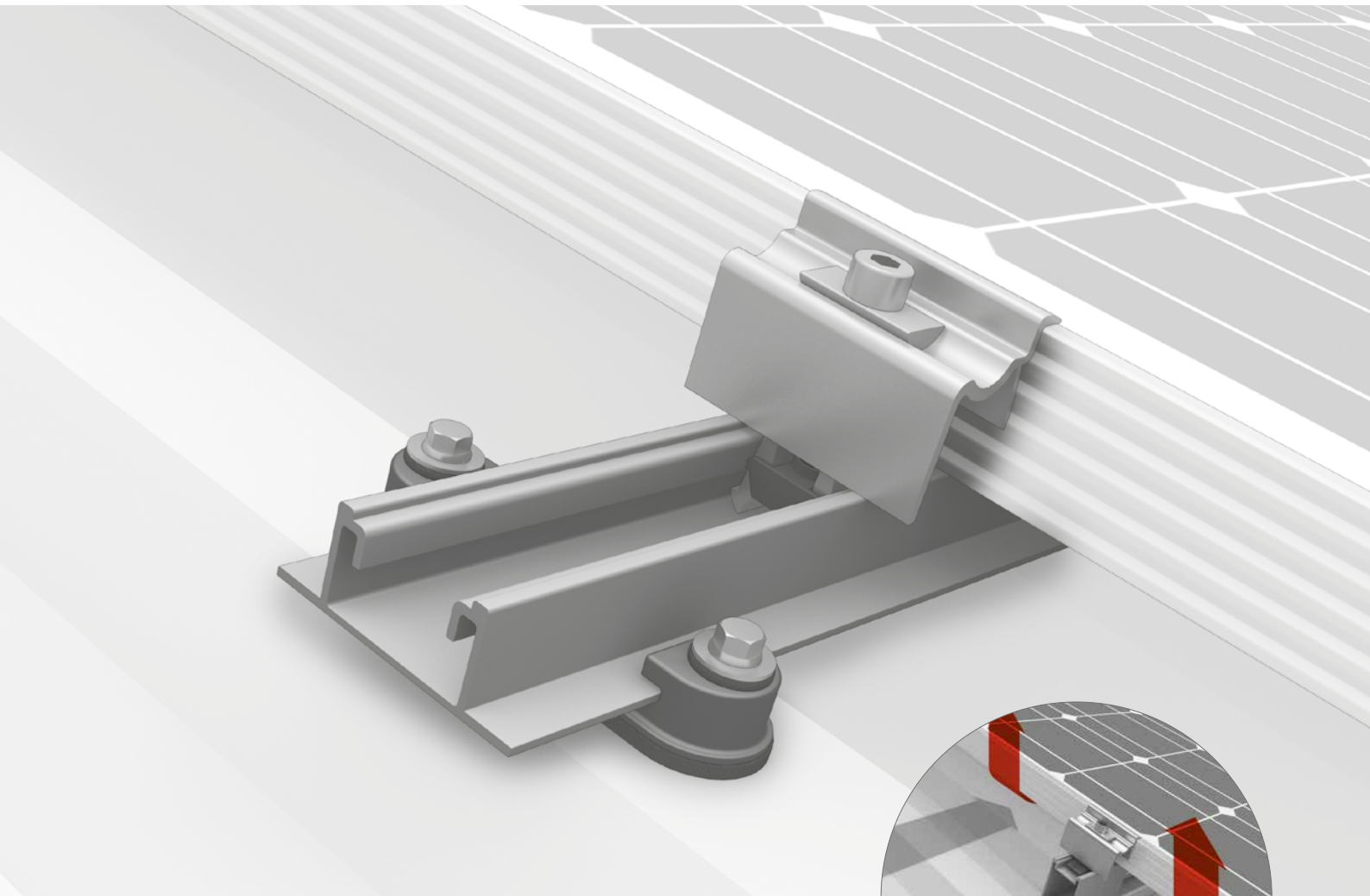




# SpeedRail System

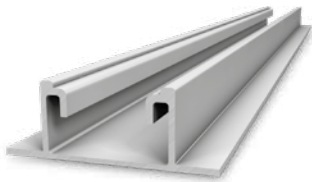


**Optionally with RailUp**

- / The proven long rail system for trapezoidal sheet applications as well as floating suspension with controlled thermal linear expansion
- / Our most popular system – over 3 GW installed worldwide
- / All-rounder with only 4 installation steps – also suitable for high loads



# Components



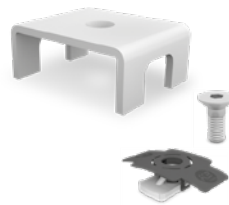
## SpeedRail

- / Mounting rail with easy insertion mounting into SpeedClips
- / Various lengths available



## SpeedClip

- / Mounting brackets for SpeedRail
- / Simple insertion feature
- / Glass fibre reinforced polyamide with EPDM seals
- / Fastened with self-drilling screws for trapezoidal sheet metal



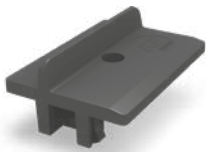
## SpeedLock

- / Mounting lock for SpeedRail in case of thermal expansion
- / In a set with MK2 slot nut and stainless steel screw



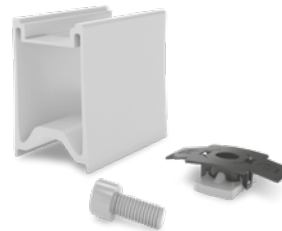
## SpeedConnector

- / Rail connector for SpeedRail
- / Three boreholes for flexible mounting
- / In a set with countersunk screws



## AddOn

- / For grid mounting with horizontal modules
- / Seamless module blocks and no second rail layer



## RailUp Set

- / Improves rear ventilation of the modules
- / Easier installation of micro inverters

# Technical data

SpeedRail / SpeedClip	
<b>Scope of application</b>	Trapezoidal sheet roof
<b>Fastening type / roof fixture</b>	Insertion mounting into SpeedClips and screws in the roofing
<b>Requirements</b>	<ul style="list-style-type: none"> <li>▪ Sheet thickness: <math>\geq 0.4</math> mm steel or <math>\geq 0.5</math> mm aluminium</li> <li>▪ Sandwich panel: Approval from manufacturer required</li> <li>▪ Crest width: At least 22 mm</li> <li>▪ Flush area surrounding the bore hole: <math>\varnothing \geq 20</math> mm</li> </ul>
<b>Material</b>	<ul style="list-style-type: none"> <li>▪ SpeedRail: Aluminium [EN AW-6063 T66; 0.64 kg/m]</li> <li>▪ SpeedClip: Glass fibre reinforced polyamide with EPDM</li> </ul>
<b>SpeedRail dimensions</b>	
W = width [mm]	63
H = height [mm]	22.5
L = lengths [m]	2.25 / 3.30 / 4.40 / 5.50 m
<b>SpeedClip dimensions</b>	See drawing
<b>Second rail layer</b>	SingleRail or SolidRail

