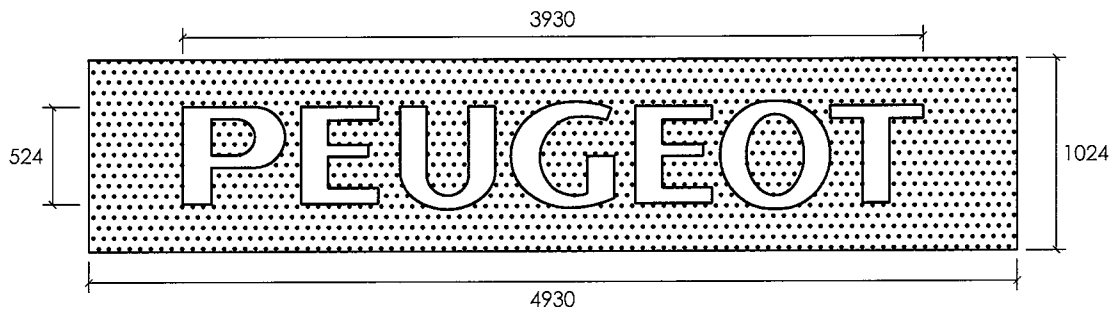
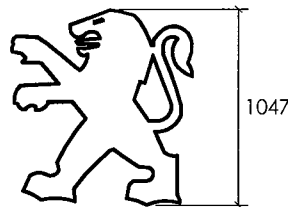


1



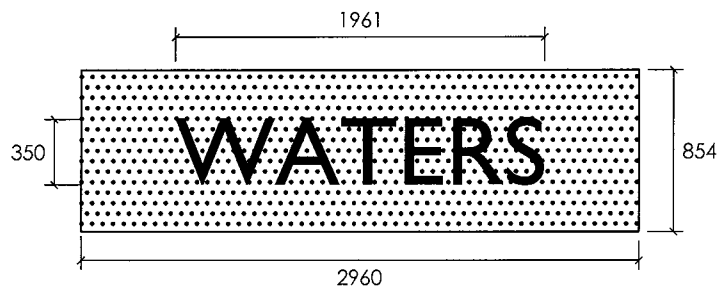
White letter internally illuminated on blue opaque background sign x 2 No. (LED)

2



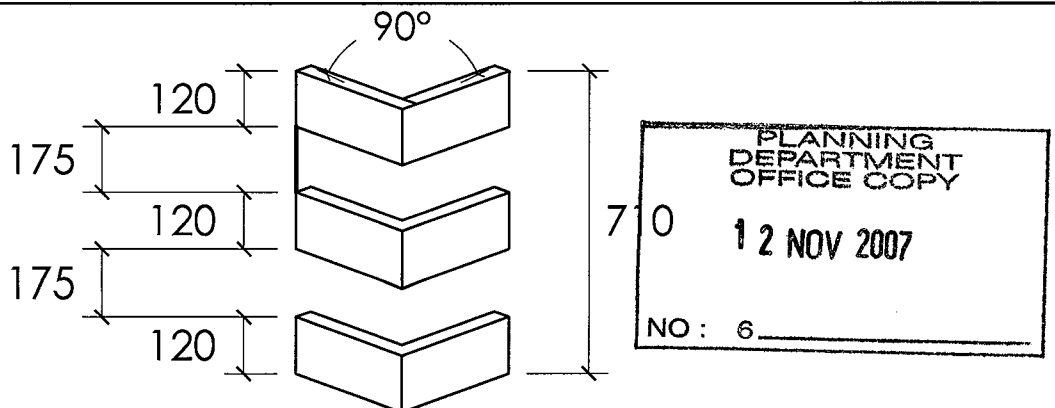
Chrome lion with halo illumination x 1 No. (LED)

3



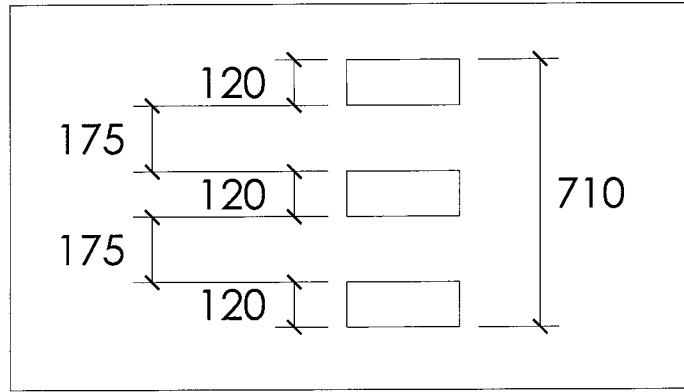
White letter internally illuminated on blue opaque background sign x 1 No. (LED)

4



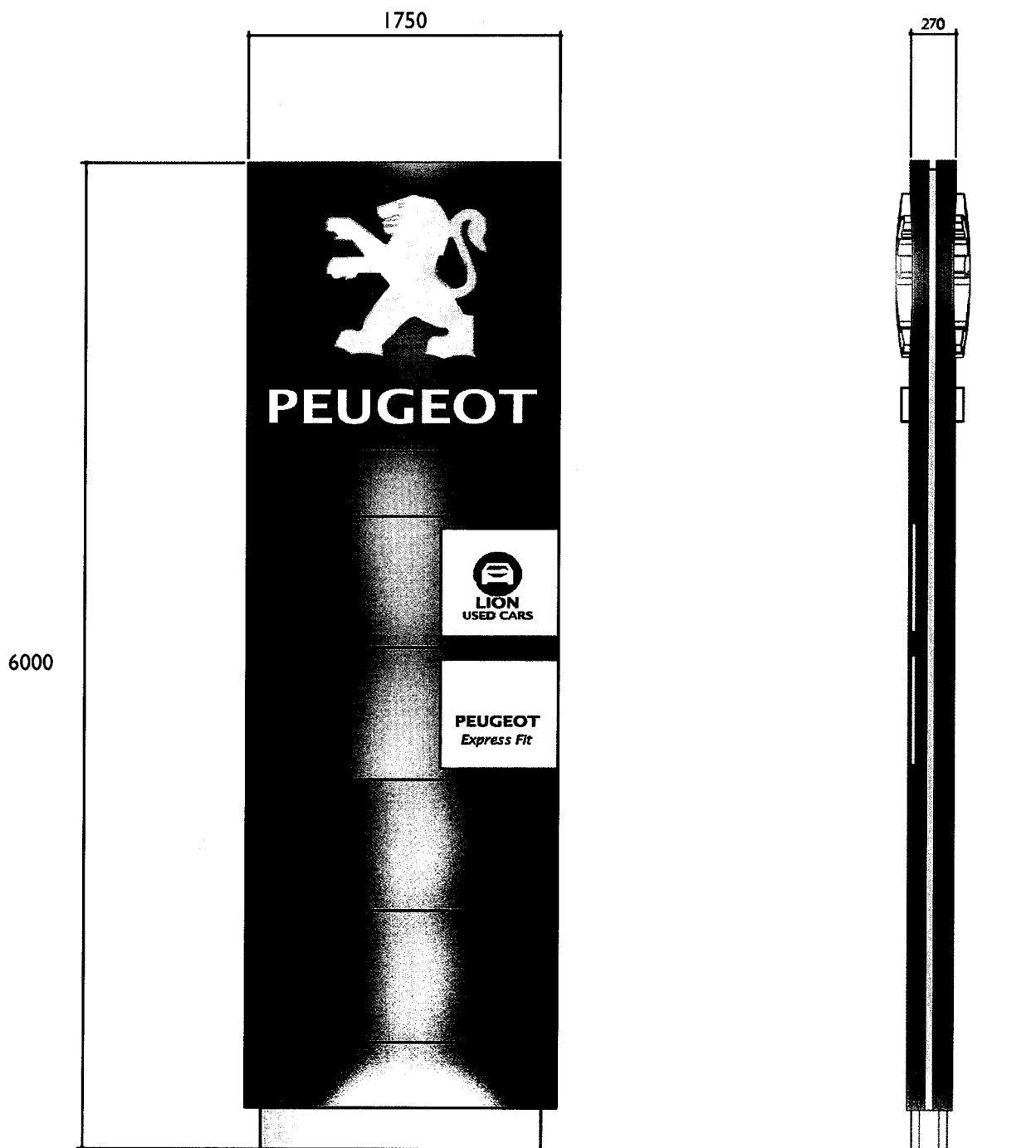
Yellow internally illuminated corner sign x 2 No. (Fluorescent) Scale 1:20

5



Yellow internally illuminated stop end stripes x 1 No. (Fluorescent) Scale 1:20

PLANNING  
DEPARTMENT  
OFFICE COPY  
12 NOV 2007  
NO: 6 2004/1701



PLANNING  
DEPARTMENT  
OFFICE COPY

12 NOV 2007

NO: 6 2004/1701

6m high Totem Sign (Externally illuminated)

Blue Totem colour Ral 5002 with chrome lion and white PEUGEOT letters