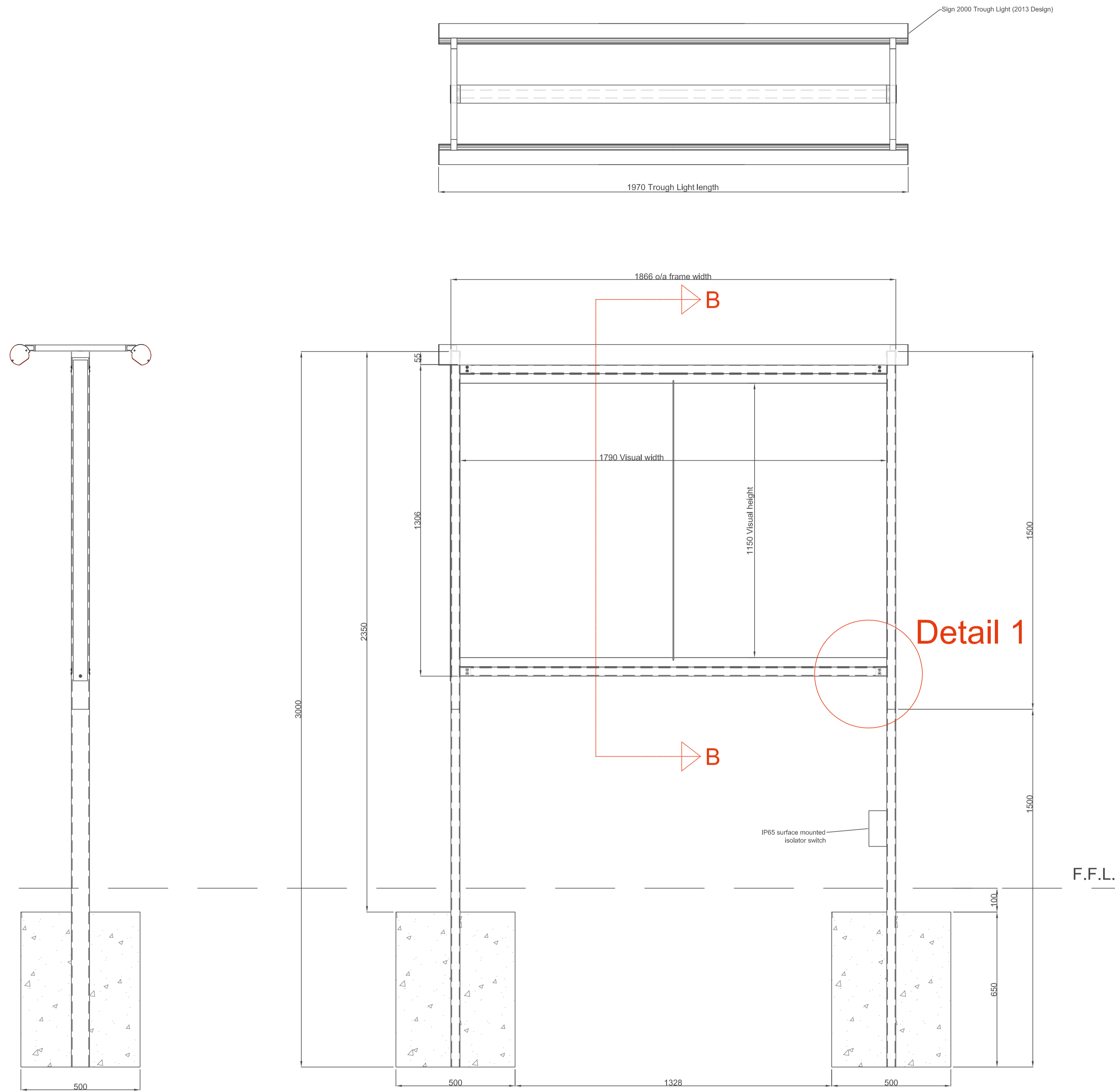
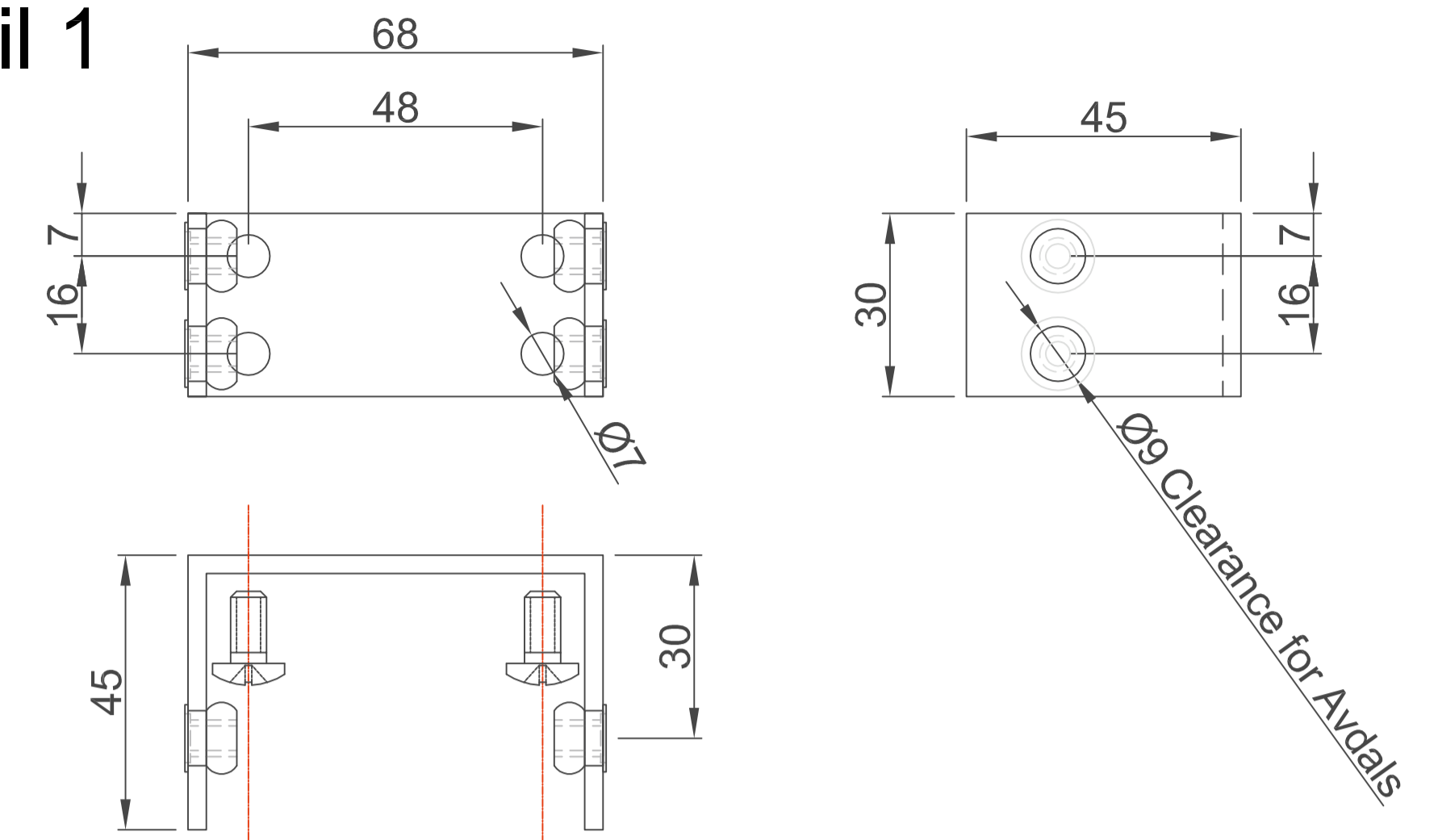


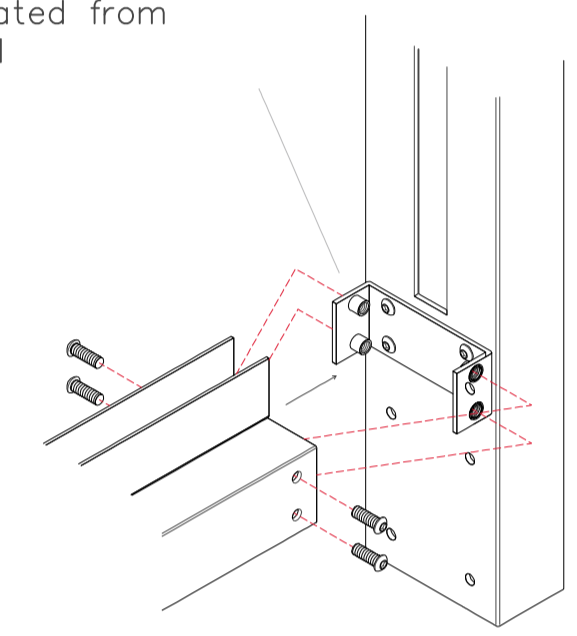
G/A  
1:10



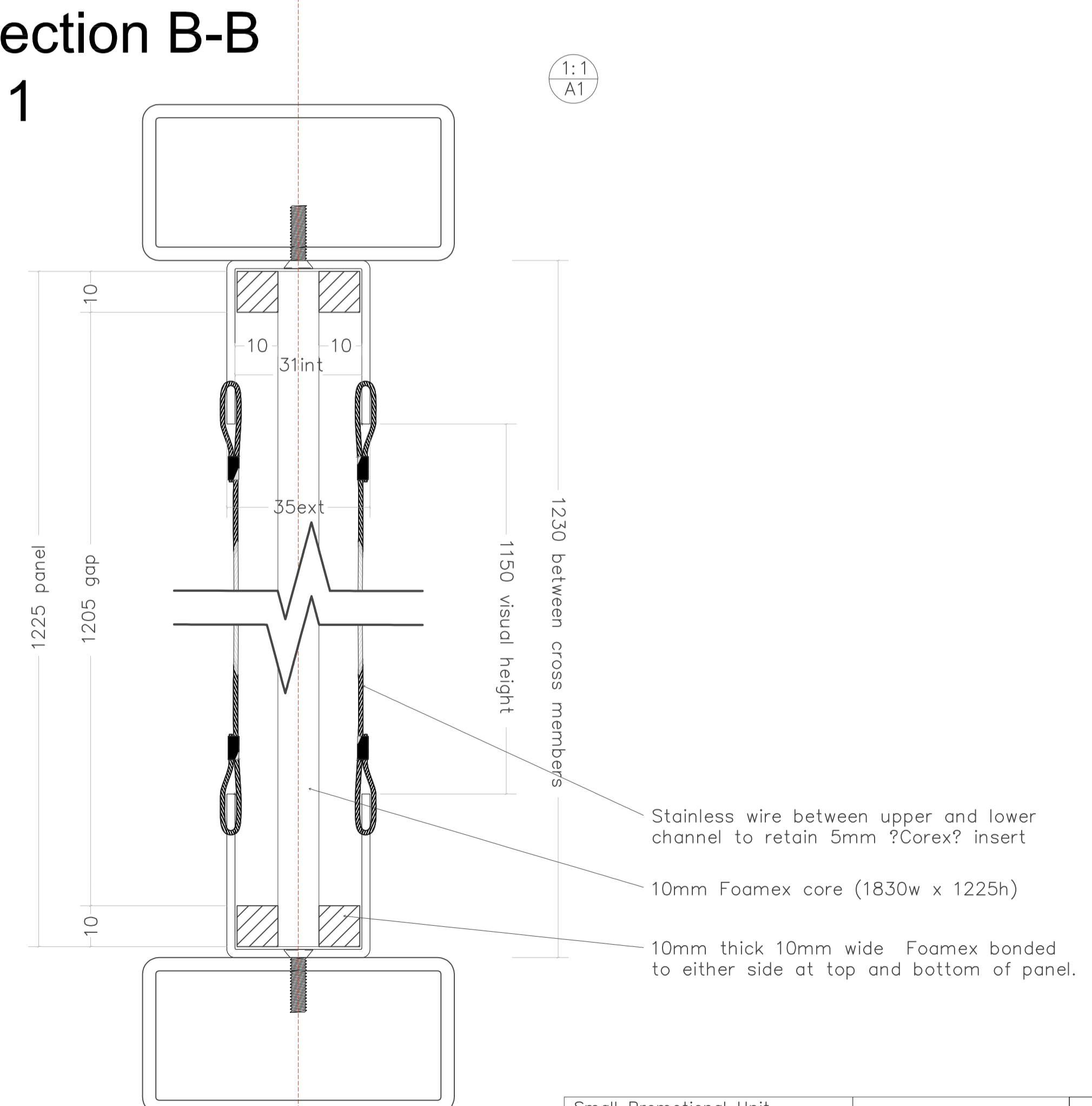
Detail 1  
1:1



4off brackets fabricated from 3mm mild steel



Section B-B  
1:1



|                        |                |                             |                 |                 |         |
|------------------------|----------------|-----------------------------|-----------------|-----------------|---------|
| Small Promotional Unit |                |                             |                 | WHITBREAD       |         |
| STATUS                 | DRAWING NUMBER | EDITION                     | PAGE            | PROJECT MANAGER |         |
| M                      | SMLPROMO-2     | C                           | 2/4             | Murray          |         |
| DATE                   | DRAWN BY       | SCALE                       | PROJECT MANAGER |                 |         |
| 7/11/2013              | MS             | As View @ A1                | Murray          |                 |         |
| NOTES:                 |                |                             |                 |                 |         |
| G/A, Detachable        |                |                             |                 |                 |         |
| REV                    | EDITOR         | REVISION NOTE               | DATE            | SIGNED          | CHECKED |
| C                      |                | Foamex packer size reduced. | 19/2/14         | MS              |         |

This drawing/document is the property of Sign2000. It must not be copied (in whole or part) or used for manufacturing without prior consent of the owner.