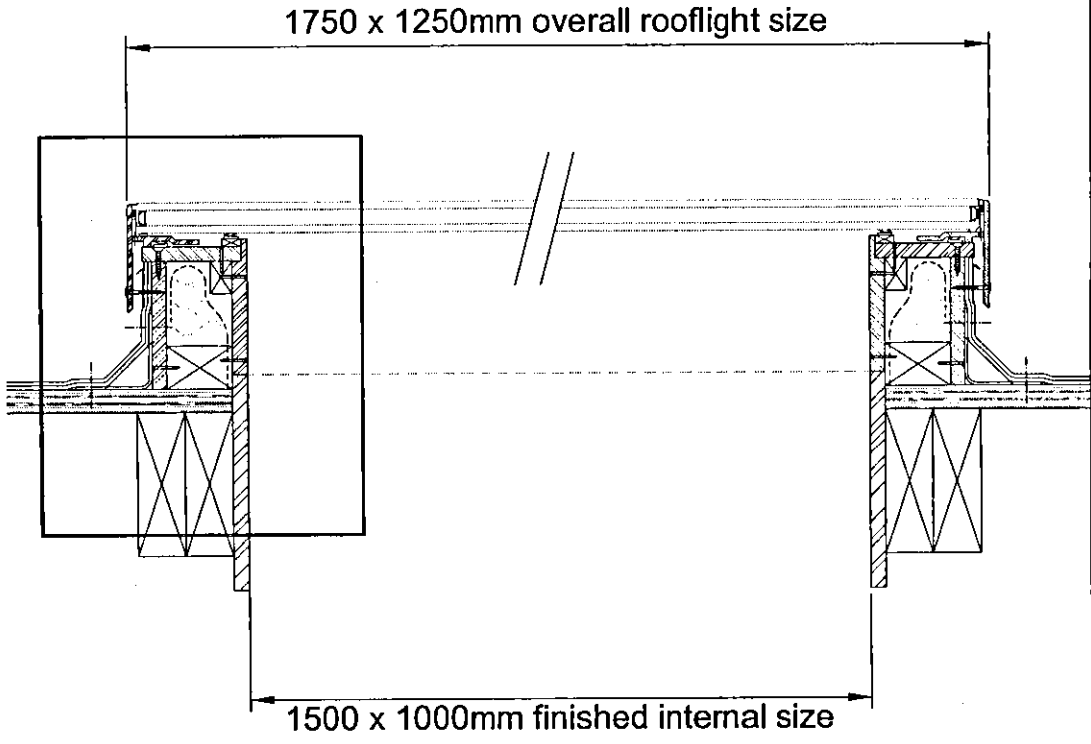
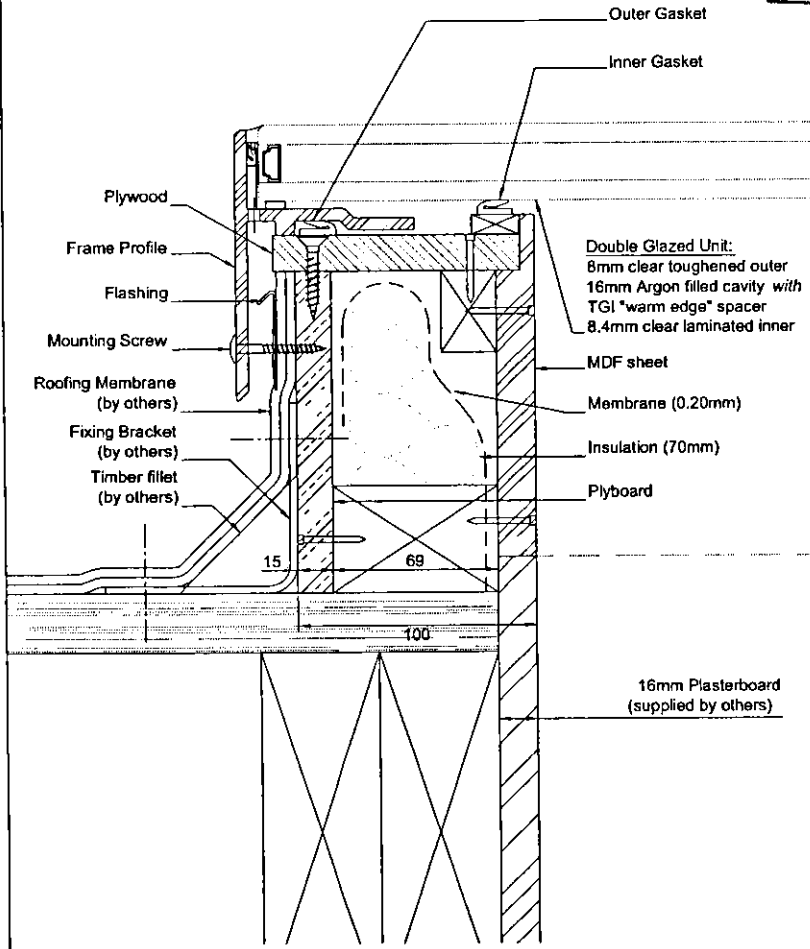


AMENDMENT

- 5 NOV 2000

NO: 56/2009/1940/FP



DO NOT SCALE

National Domelight Company  
 Pyramid House, 52 Guildford Road, Lightwater, Surrey, GU18 5SD  
 Tel: 01276 451555  
 Fax: 01276 451533  
 E-mail: [info@nationaldomes.com](mailto:info@nationaldomes.com)  
 Website: [www.nationaldomes.com](http://www.nationaldomes.com)

TITLE Solarglaze Fixed  
 150mm Kerb

