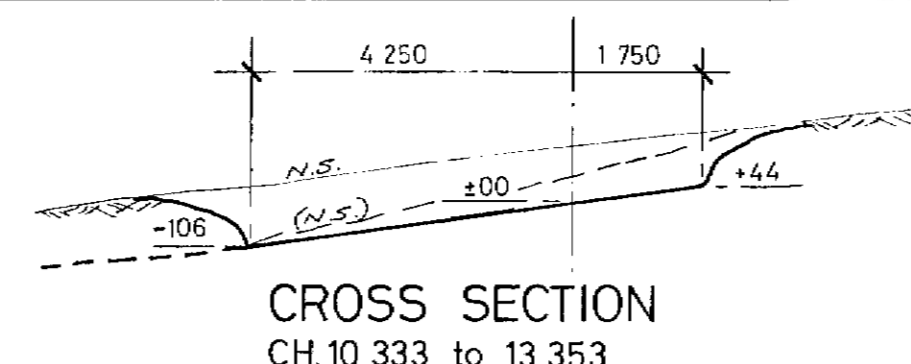
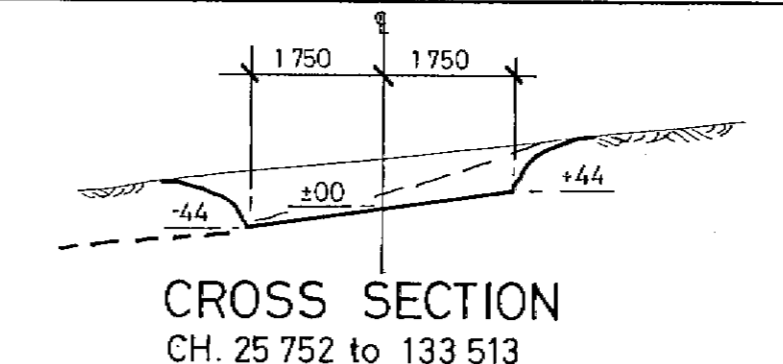


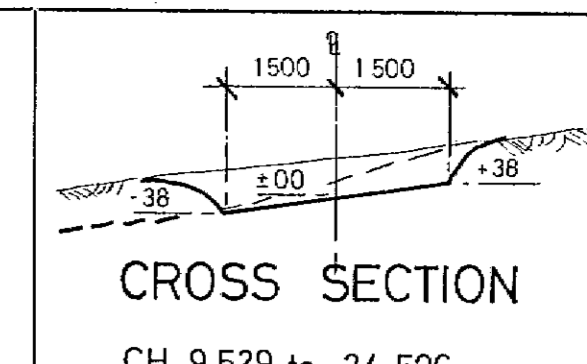
CROSS SECTION
CH. 6 251 to 22 342



CROSS SECTION
CH. 10 333 to 13 353



CROSS SECTION
CH. 25 752 to 133 513



CROSS SECTION
CH. 9 529 to 24 596

VERTICAL ALIGNMENT		DESIGN CENTRELINE LEVELS		DESIGN EDGE LEVELS		EXISTING CENTRELINE LEVELS		CENTRELINE CHAINAGE		HORIZONTAL ALIGNMENT	
-2.00%		-1.00%								STRAIGHT	
-2.24%										STRAIGHT	
-1.60%										SIMPLE CURVE 70 000 Radius BEND LEFT	
										SIMPLE CURVE 70 000 Radius BEND RIGHT	
										EXISTING CURVE	
										CURVE 40 000 Rad.	
										CURVE 10 000 R.	

LONGITUDINAL SECTION - ROAD 'A'

LONGITUDINAL SECTION - ROAD 'B'

LONGITUDINAL SECTION ROAD 'C'

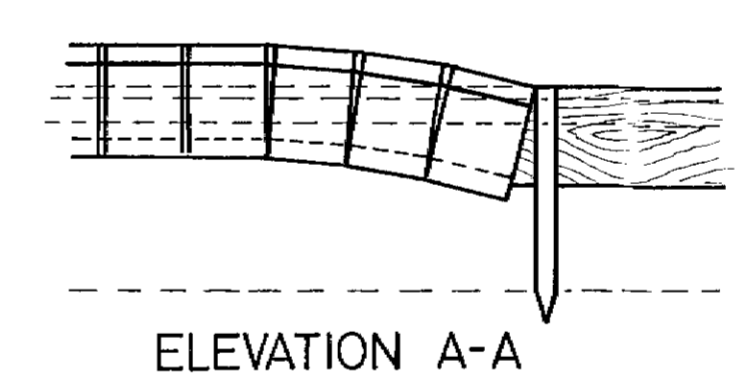
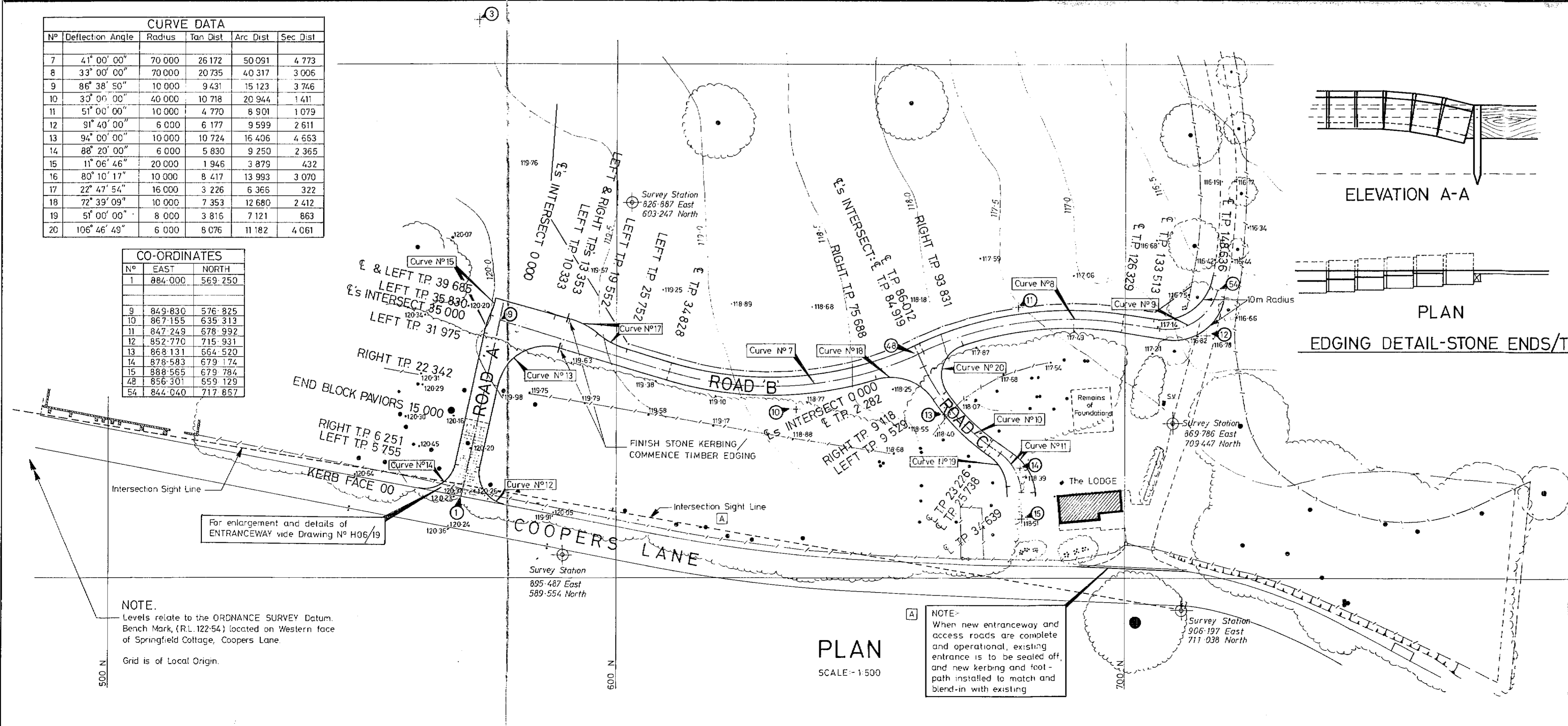
SCALES - HORIZONTAL 1:500
VERTICAL 1:50

SCALES - HORIZONTAL 1:500
VERTICAL 1:50

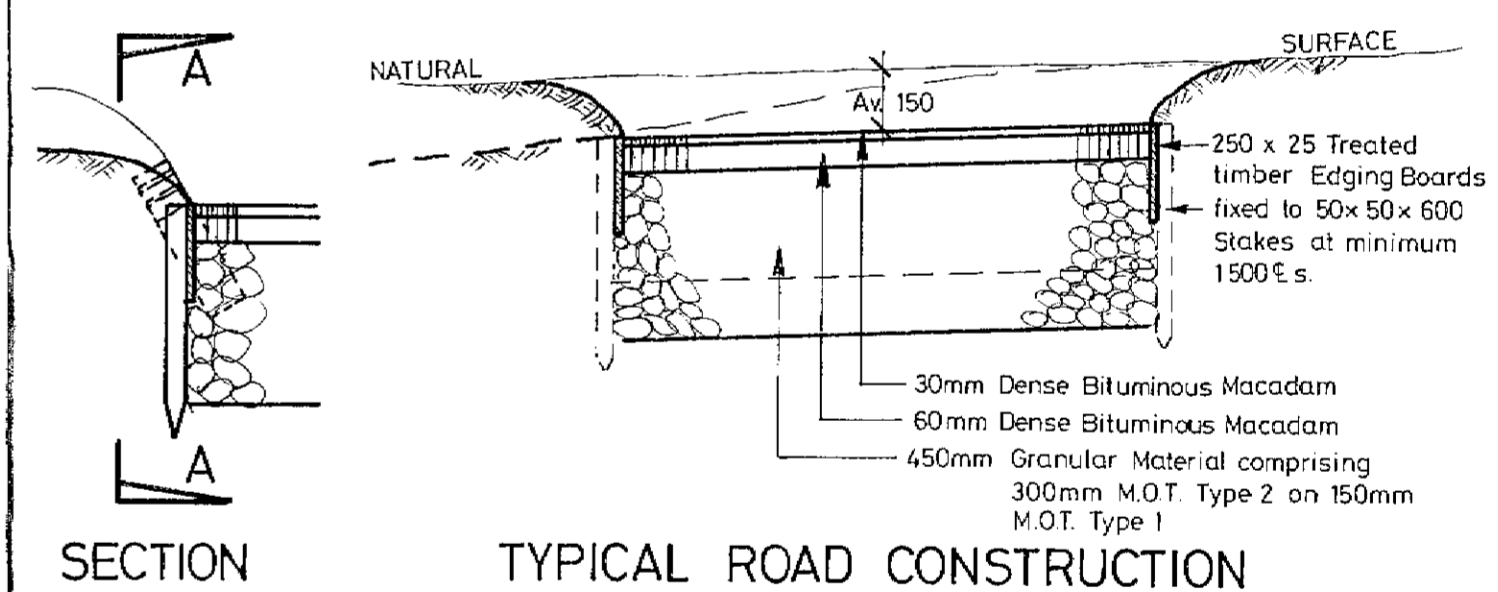
SCALES - HORIZONTAL 1:500
VERTICAL 4:50

CURVE DATA					
Nº	Deflection Angle	Radius	Tan Dist	Arc Dist	Sec Dist
7	41° 00' 00"	70 000	26 172	50 091	4 773
8	33° 00' 00"	70 000	20 735	40 317	3 006
9	86° 38' 50"	10 000	9 431	15 123	3 746
10	33° 00' 00"	40 000	10 718	20 944	1 411
11	51° 00' 00"	10 000	4 770	8 901	1 079
12	91° 40' 00"	6 000	6 177	9 599	2 611
13	94° 00' 00"	10 000	10 724	16 406	4 653
14	88° 20' 00"	6 000	5 830	9 250	2 365
15	11° 06' 46"	20 000	1 946	3 879	432
16	80° 10' 17"	10 000	8 417	13 993	3 070
17	22° 47' 54"	16 000	3 226	6 365	322
18	72° 39' 09"	10 000	7 353	12 680	2 412
19	51° 00' 00"	8 000	3 816	7 121	863
20	106° 46' 49"	6 000	8 076	11 182	4 061

CO-ORDINATES		
Nº	EAST	NORTH
1	884 000	569 250
9	849 830	576 825
10	867 155	635 313
11	847 249	578 992
12	852 770	715 931
13	868 131	564 520
14	878 583	679 174
15	888 565	679 784
48	856 301	559 129
54	844 040	717 657



ELEVATION A-A



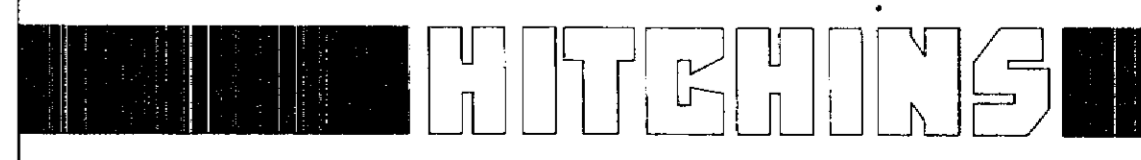
TYPICAL ROAD CONSTRUCTION

EDGING DETAIL-STONE ENDS/TIMBER STARTS

REVISION	DATE	DETAILS	REV. BY
A	27-1-87	Northern SIGHT LINE increased. Note on existing entranceway added	D.R.D.

PROJECT
**NORTHAW PLACE,
COOPERS LANE,
NORTHAW,
HERTS.**

DRAWING TITLE
**ROADWORKS ROADS 'A' (PART), B & C.
PLAN, LONGITUDINAL & CROSS SECTIONS**



ESSENDON HERTFORDSHIRE AL9 6AT
TEL HATFIELD (07072) 71111 TELELEX 28222
FAX GROUP 2 AND 3 (07072) 73003

SCALE	DRAWING No.	REVISION
AS SHOWN	H06/21	A

NOTE.
Levels relate to the ORDNANCE SURVEY Datum.
Bench Mark, (R.L. 122.54) located on Western face of Springfield Cottage, Coopers Lane.
Grid is of Local Origin.

NOTE -
When new entranceway and access roads are complete and operational, existing entrance is to be sealed off, and new kerbing and foot-path installed to match and blend-in with existing

PLAN
SCALE - 1:500