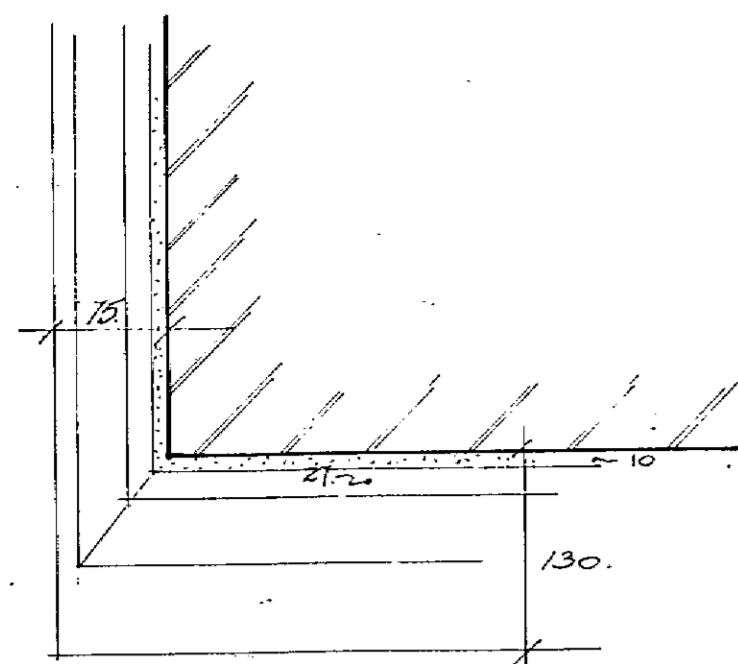
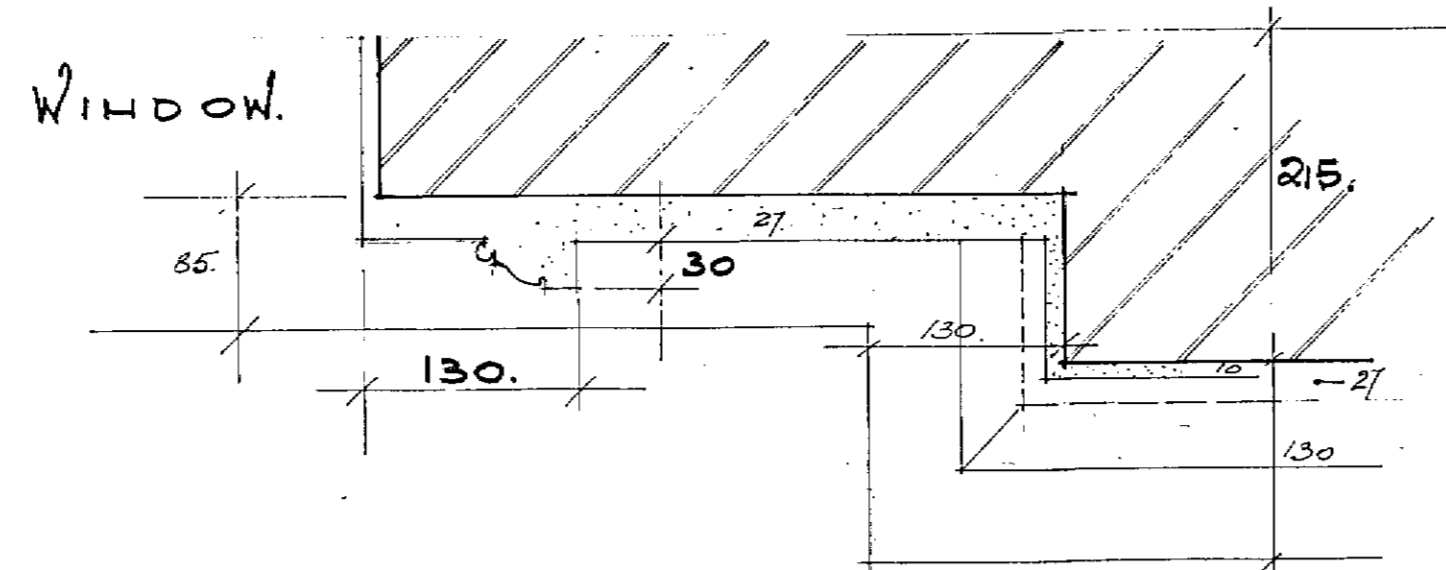


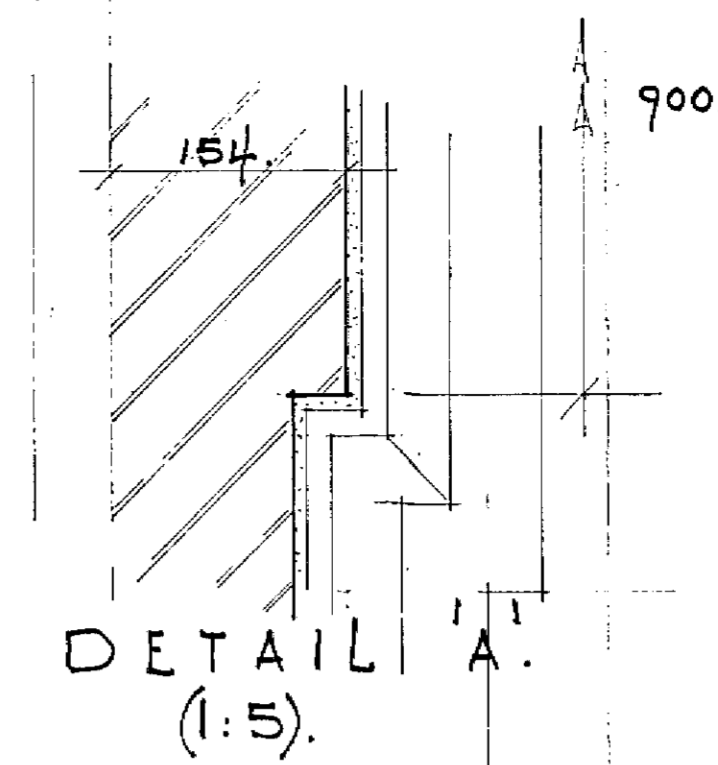
© Hitchens (Hatfield) Ltd 1987
 This document and its information is supplied without liability for errors or omissions and no part may be reproduced, used or disclosed except as authorised by contract or other written permission.
 Do not scale from this drawing. Architects to be notified of any discrepancies. Verify relevant details and dimensions at the job before commencing work or preparing shop drawings.
 Any works shall comply with Building Regulations, Service Authorities and relevant Codes of Practices.
 All products to be applied or installed in strict accordance with Manufacturer's printed detail.
 No site variation will be permitted without written confirmation from Head Office.



DETAIL AT H.E. CORNER PIER NORTH ELEVATION. (1:5)

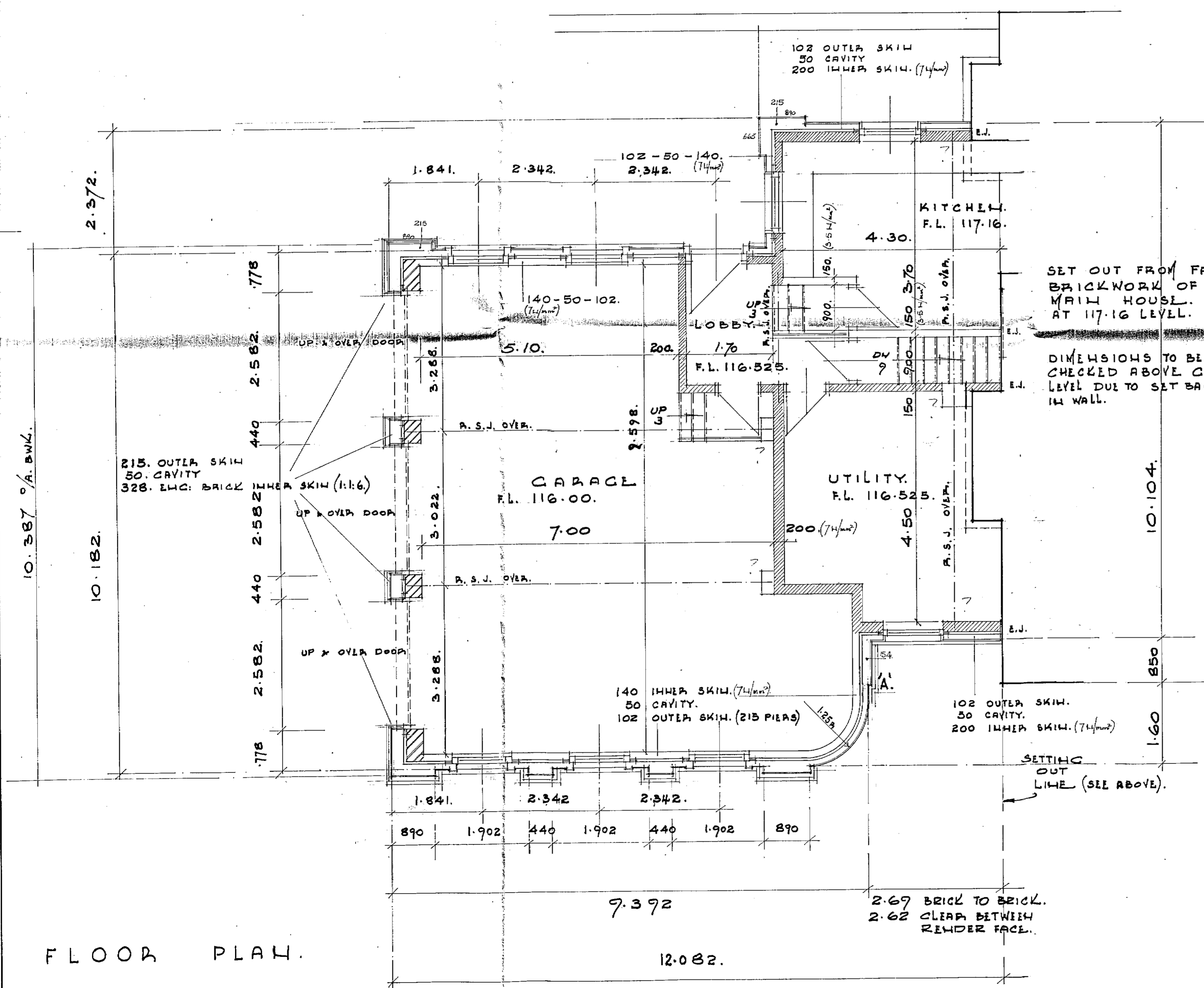


DETAIL AT WINDOW & PIER NORTH ELEVATION. (1:5)

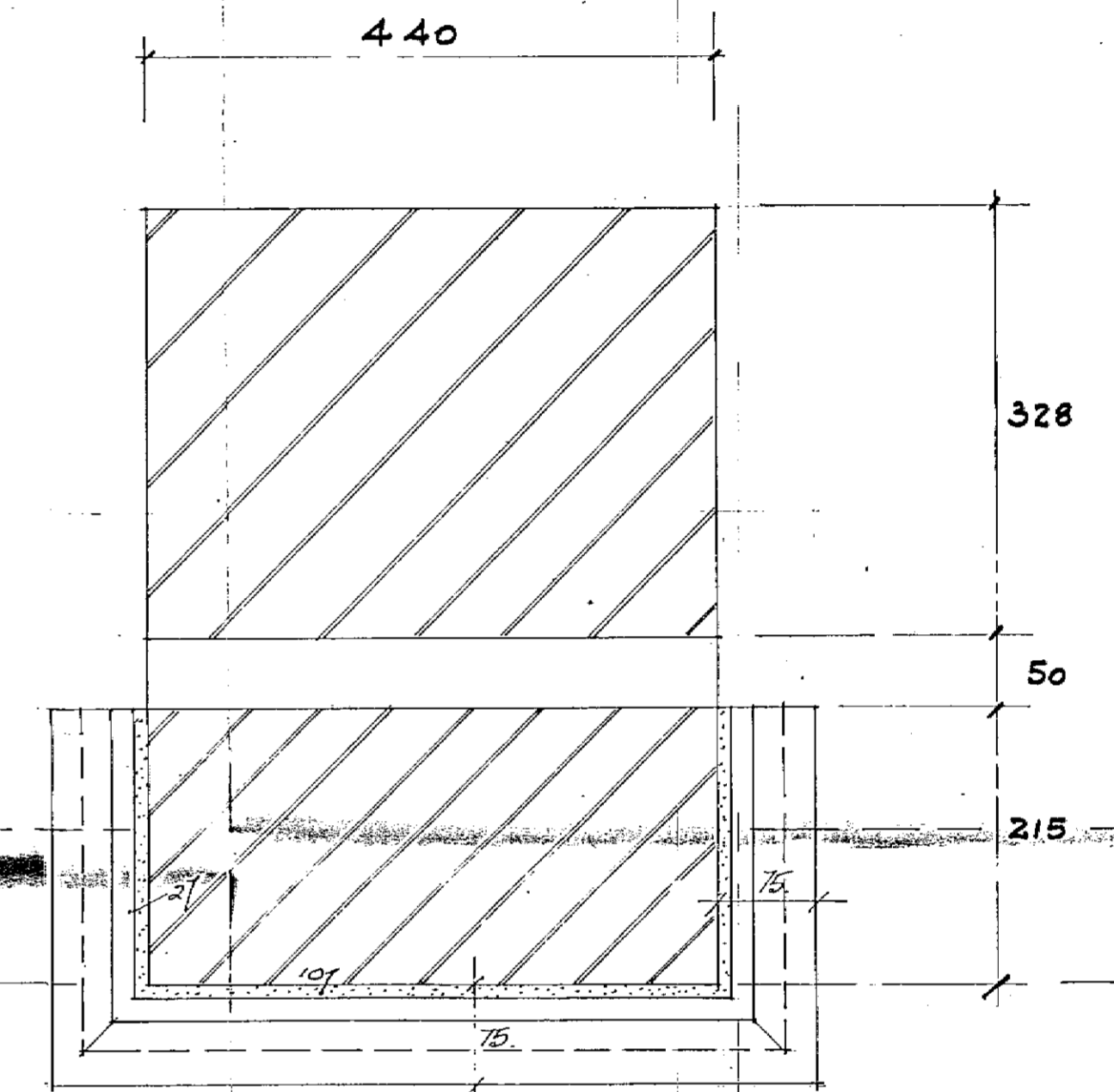


DETAIL A. (1:5)

NORTH.



FLOOR PLAN.



DETAIL AT GARAGE PIER. (1:5)

THERMAL BLOCKS. ENGINEERING BRICKS IN 1:1.6 MORTAR.

REVISION 'A'	DATE 14-9-87	REDETAILED & COMPLETED	REV. BY L.Y.
PREPARED/CHECKED BY L.M.Y.		DATE AUGUST '87	
PROJECT NORTHAW PLACE, NORTHAW, HERTFORDSHIRE.			
DRAWING TITLE HOUSE NO. 1. EASTERN EXTENSION.			
HITCHINGS			
ESSENDON HERTFORDSHIRE AL5 6AT TEL. HATFIELD (07072) 71111 TELEX 28222 FAX GROUP 2 AND 3 (07072) 73003			
SCALE 1:50 1:20 1:5	DRAWING No. H. 16.1.		REVISION A.