

Roof ejectors

HAN/HAF

[Download Wentyle](#)
[Download AlnorCAM](#)
[Buy via B2B](#)



Description

HAN/HAF ejectors can be used in both industrial and residential buildings.

Air is ejected vertically upwards so as to prevent air pollution near and on the roof. The ejector is efficient enough to place fresh air intakes close nearby. Typically, these ejectors are made of galvanised sheet metal, but upon request they can also be made of acid-proof steel, aluminium or steel coated with plastics in various colours. The ejectors are 1/2 covered with mesh and furnished with an internal snow or rainwater chute flange. Typically, HAF ejectors are manufactured with an FLS flange.

Typically, HAN ejectors are manufactured with a male or female flange.

Example identification

Product code: **HAN** - **aaaa**

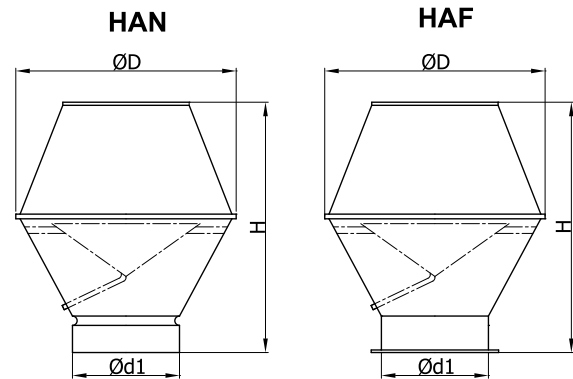
type _____
 fitted directly onto the fittings, in the duct,
 on the duct
 $\varnothing d_1$ _____

Example identification

Product code: **HAF** - **aaaa**

type _____
 installed via a flange
 $\varnothing d_1$ _____

Dimensions



H = installation height

HAN/HAF

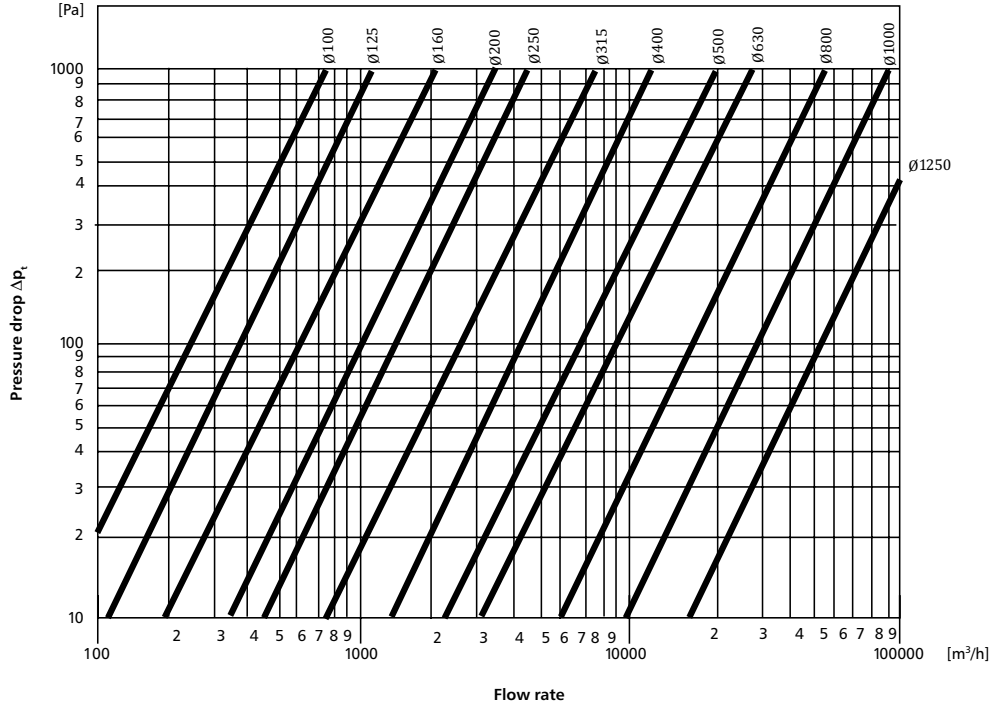
$\varnothing d_1$ [mm]	$\varnothing D$ [mm]	H [mm]	weight HAF [kg]	weight HAN [kg]
100	180	220	1,1	0,7
125	225	240	1,4	0,9
140	245	280	1,5	1,0
150	265	315	1,8	1,3
160	280	340	1,9	1,3
180	310	375	2,2	1,6
200	345	420	2,8	2,1
224	385	475	3,1	2,3
250	430	505	3,7	2,9
280	480	585	5,3	4,2
300	515	600	6,2	5,0
315	550	620	7,7	6,4
355	615	705	9,3	7,9
400	685	905	15,7	14,1
450	775	970	18,3	16,5
500	855	1055	21,3	19,3
560	955	1170	25,9	23,4
600	1015	1255	32,0	29,3
630	1075	1300	33,5	30,7
710	1215	1490	46,3	43,1
800	1360	1630	59,4	55,8

Roof ejectors HAN/HAF

[Download Wentyle](#)
[Download AlnorCAM](#)
[Buy via B2B](#)

Technical Data

Pressure drop



Noise data

