

TYPICAL SDS ATTENUATION SECTION A-A

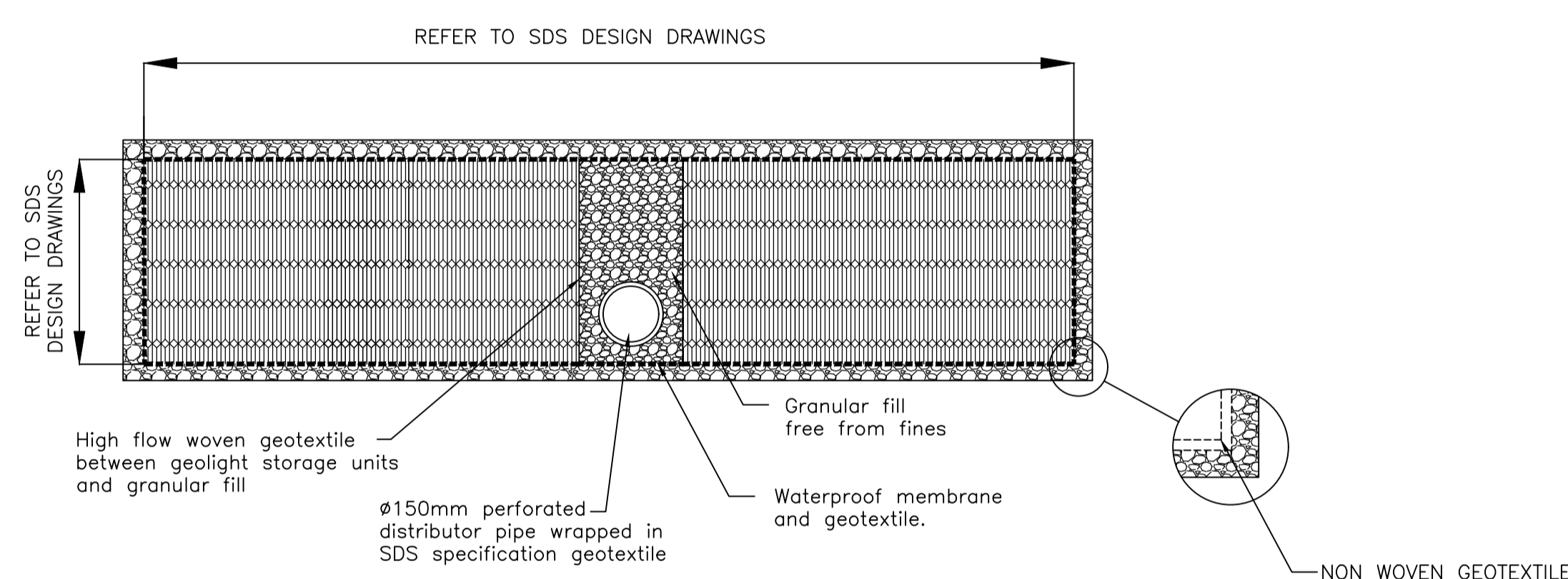
APPROX. CL (REFER TO ENGINEERING LAYOUT)  
▼

TOT (REFER TO ENGINEERING LAYOUT)  
▼

PIPE IL (REFER TO ENGINEERING LAYOUT)  
▼

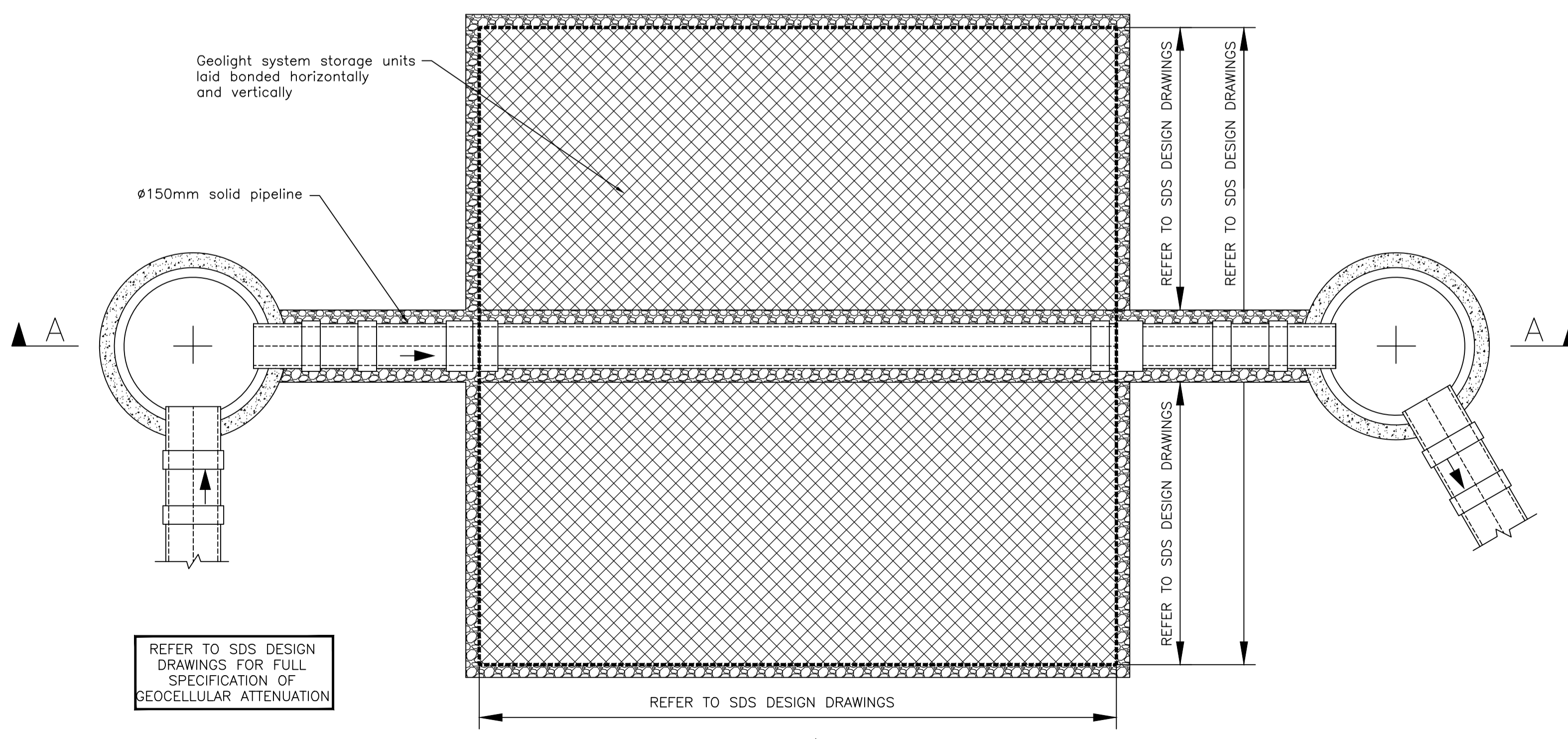
IL (REFER TO ENGINEERING LAYOUT)  
▲

REFER TO SDS DESIGN DRAWINGS FOR FULL SPECIFICATION OF GEOCELLULAR ATTENUATION



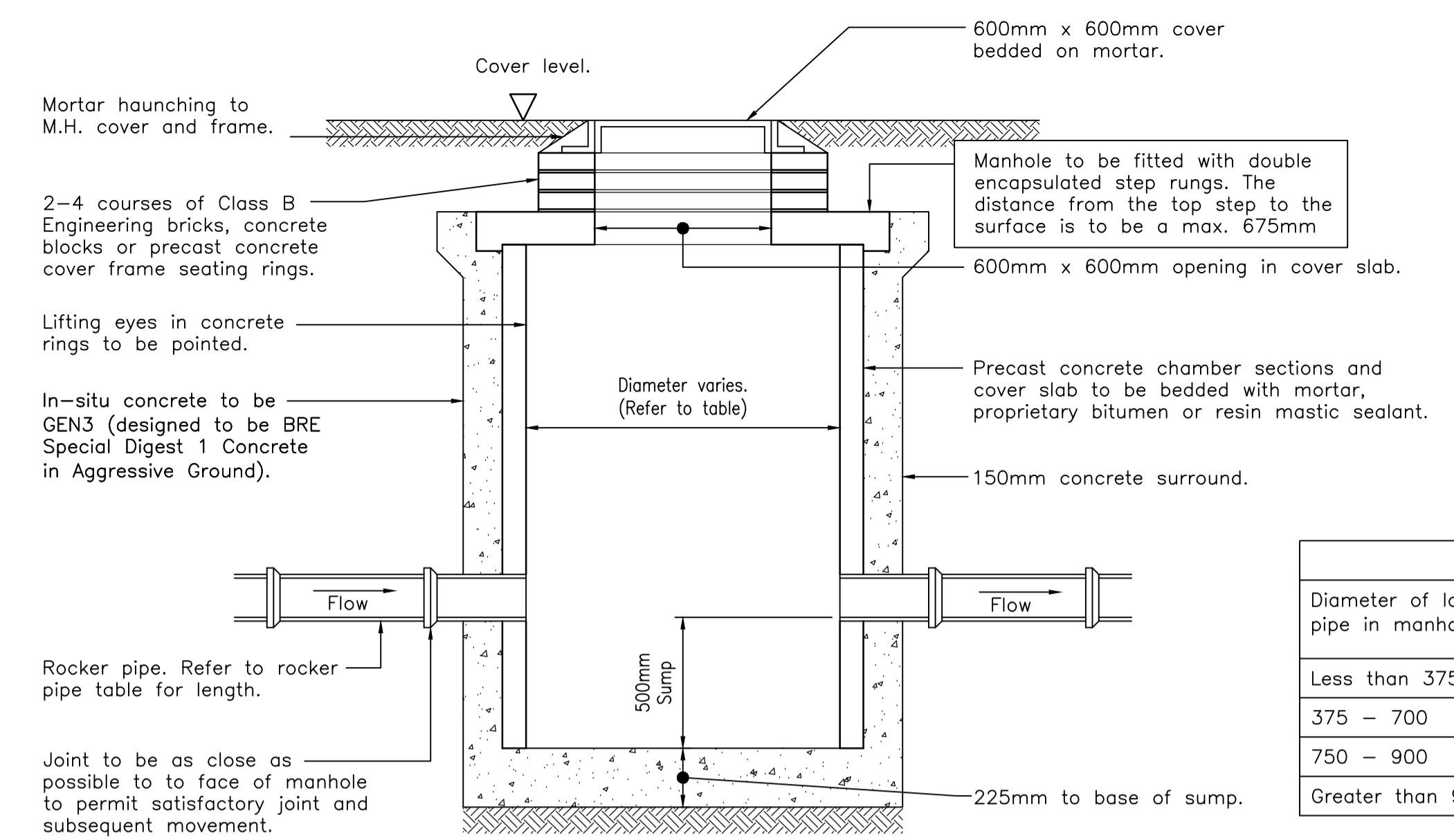
TYPICAL SDS ATTENUATION SECTION B-B

▲  
B

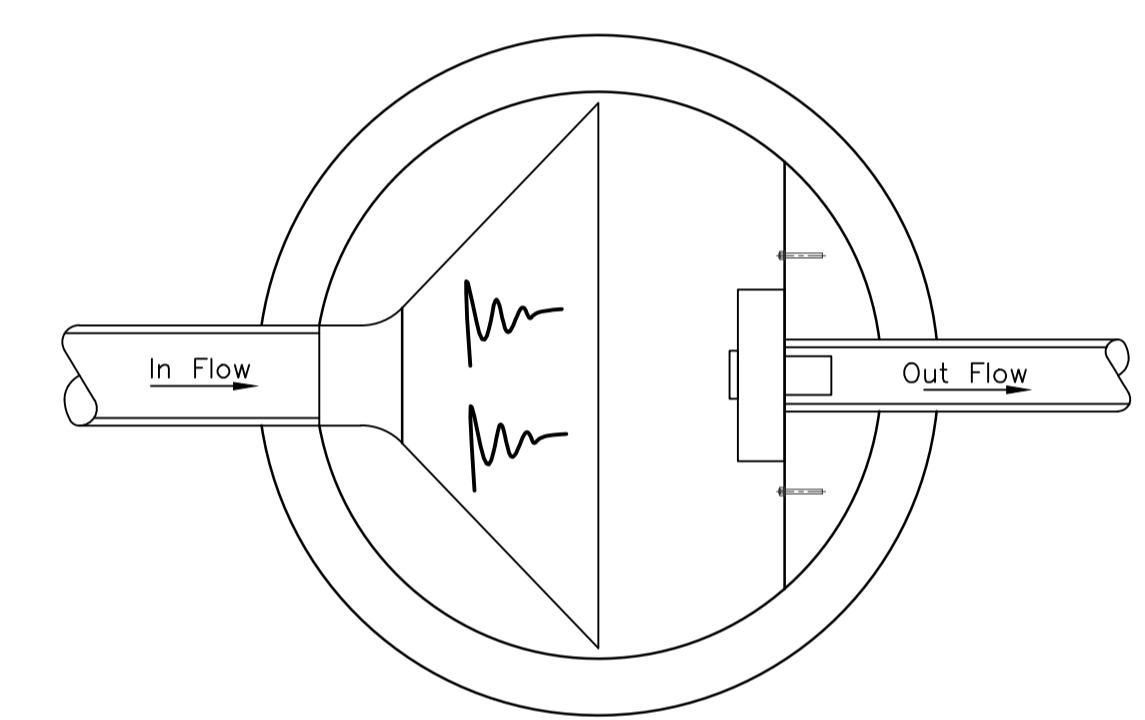


TYPICAL SDS ATTENUATION (PLAN)

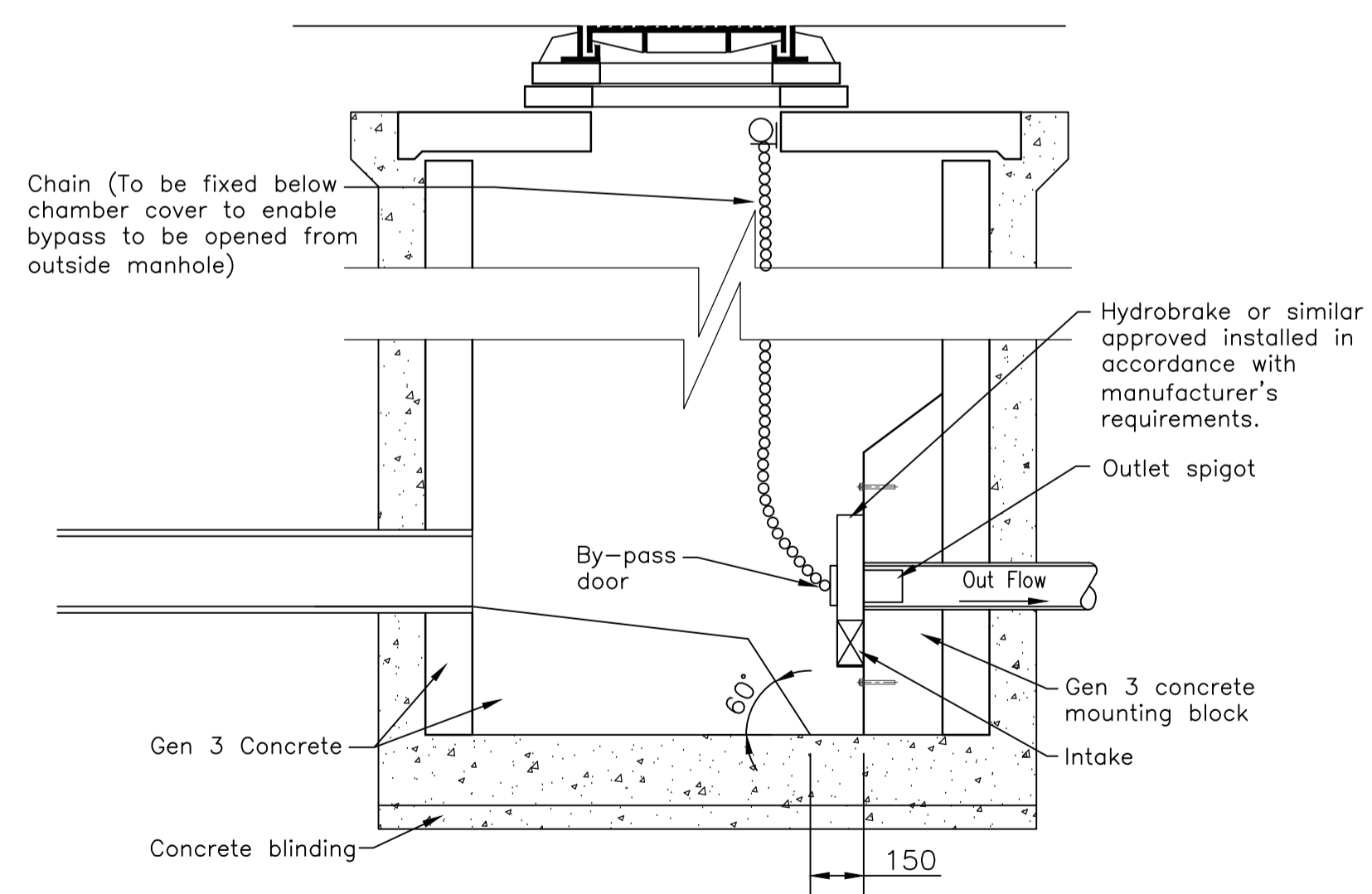
▲  
B



CATCHPIT MANHOLE



Hydrobrake Chamber (Plan)



Hydrobrake Chamber (Section)

Notes:

1. Chamber cover to be positioned directly above by-pass door.
2. Dimensions are indicative only and are dependant on type of control device used. Refer to manufacturer's specifications for details.
3. Hydrobrake flow control chamber to limit flows to 1.0 l/s for all storm events up to & including the 1 in 100 year storm plus 30% allowance for climate change. hydrobrake type = MD-SHE-0054-1000-0500-1000 design head = 0.50m orifice diameter = 0.054m
4. For chamber construction details refer to surface water catchpit manhole construction details.

NOTE

Adoptable sewers and manholes to be constructed in accordance with "Sewers for Adoption 7th Edition", and to the approval of the adopting water authority.  
Private drainage to be constructed in accordance with the Building Regulations "Approved Document H".

Rocker Pipes	
Nominal dia. (mm)	Effective length (m)
150 - 600	0.6
601 - 750	1.0
Over 750	1.25

Manhole Diameters	
Diameter of largest pipe in manhole (mm)	Internal diameter of manhole (mm)
Less than 375	1200
375 - 700	1500
750 - 900	1800
Greater than 900	Consult Undertaker

FOR TENDER ISSUE	JDC	12.04.19
REVISION	BY	DATE

DRAWING STATUS  
**TENDER**

DRAWING TITLE  
**DRAINAGE DETAILS SHEET 2 OF 2**

PROJECT  
Project Number P18-143

**PREMIER INN EXTENSION WELWYM GARDEN CITY**



8 Friday Street  
Henley on Thames  
Oxfordshire RG9 1AH  
T:01491 576221



London, Henley-on-Thames, Gloucester and Exeter

Drawn JDC	Chkd AR	Scales NTS	Date APR19
-----------	---------	------------	------------

Purpose of Issue  
**TENDER**

Drawing Number <b>P18-143-05</b>	Revision -
-------------------------------------	---------------