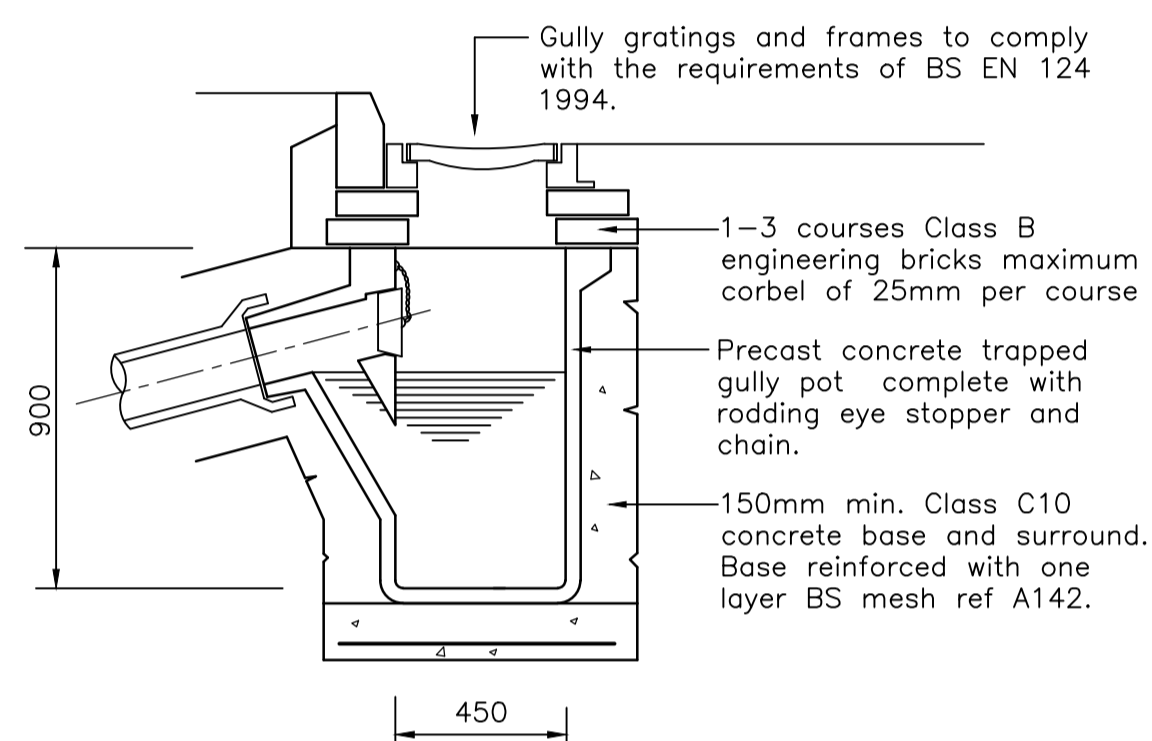


Class S Granular Surround

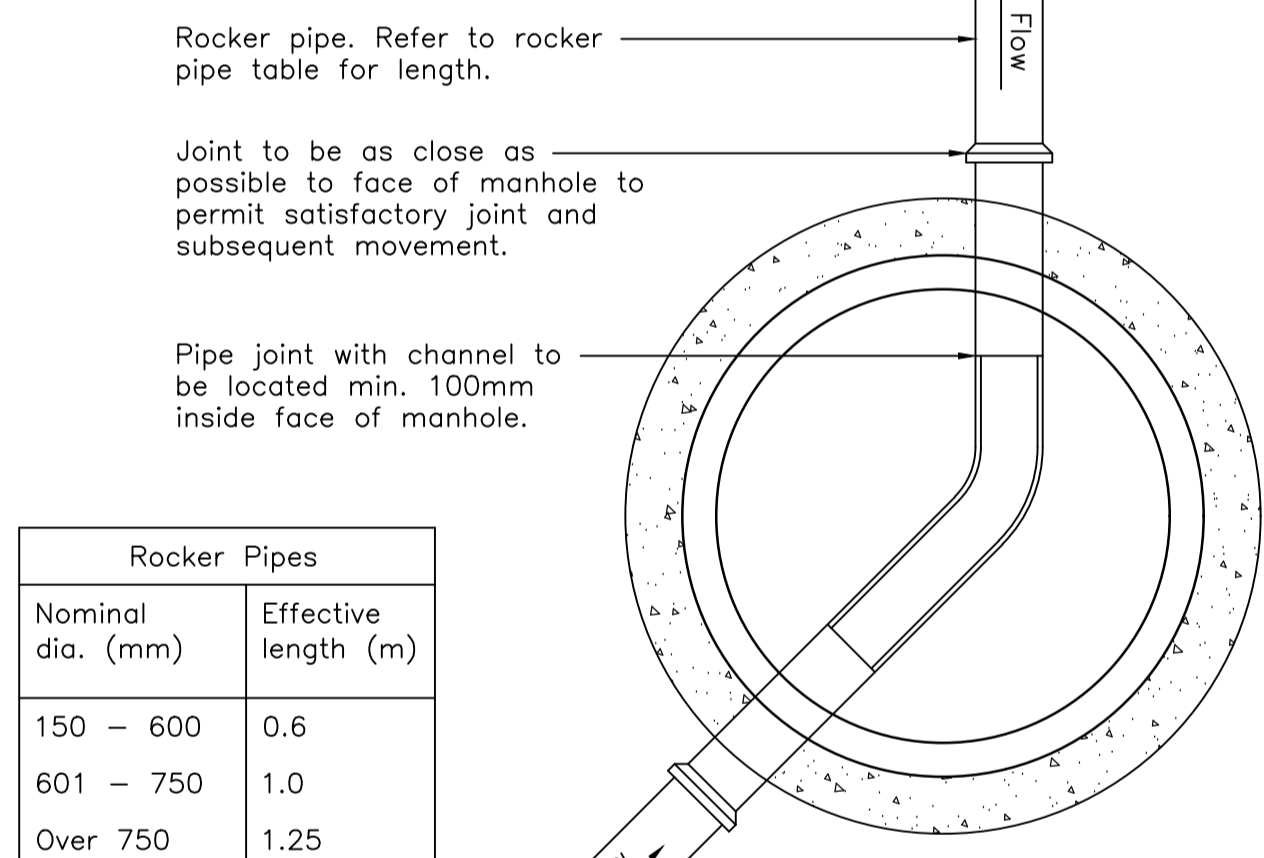
Class Z Concrete surround

PIPE BEDDING DETAILS

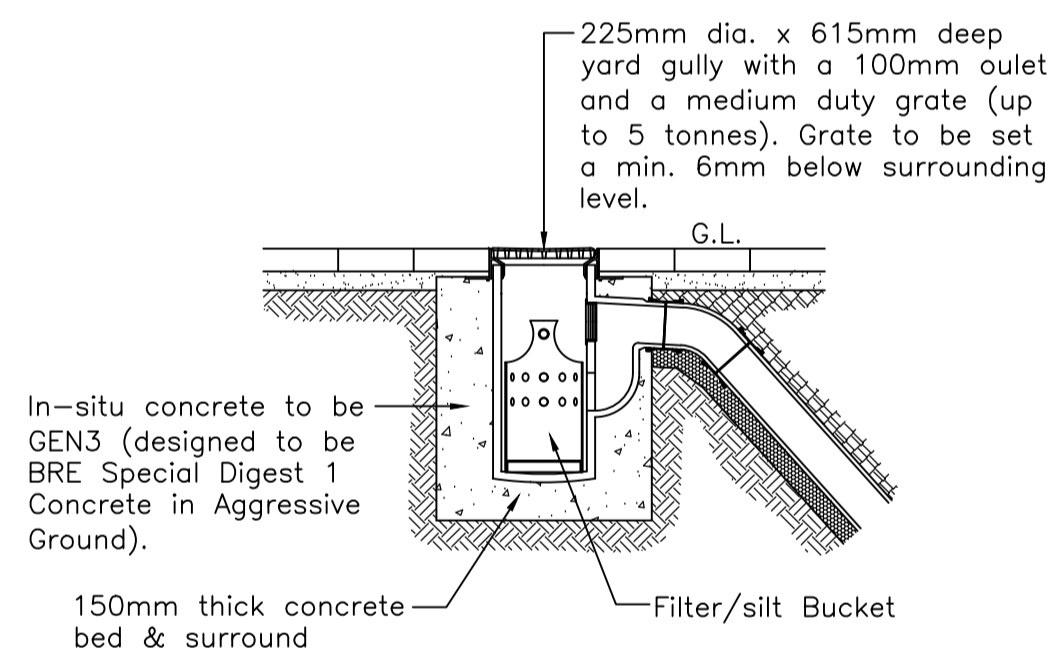
Manhole Diameters	
Diameter of largest pipe in manhole (mm)	Internal diameter of manhole (mm)
Less than 375	1200
375 - 700	1500
750 - 900	1800
Greater than 900	Consult Undertaker



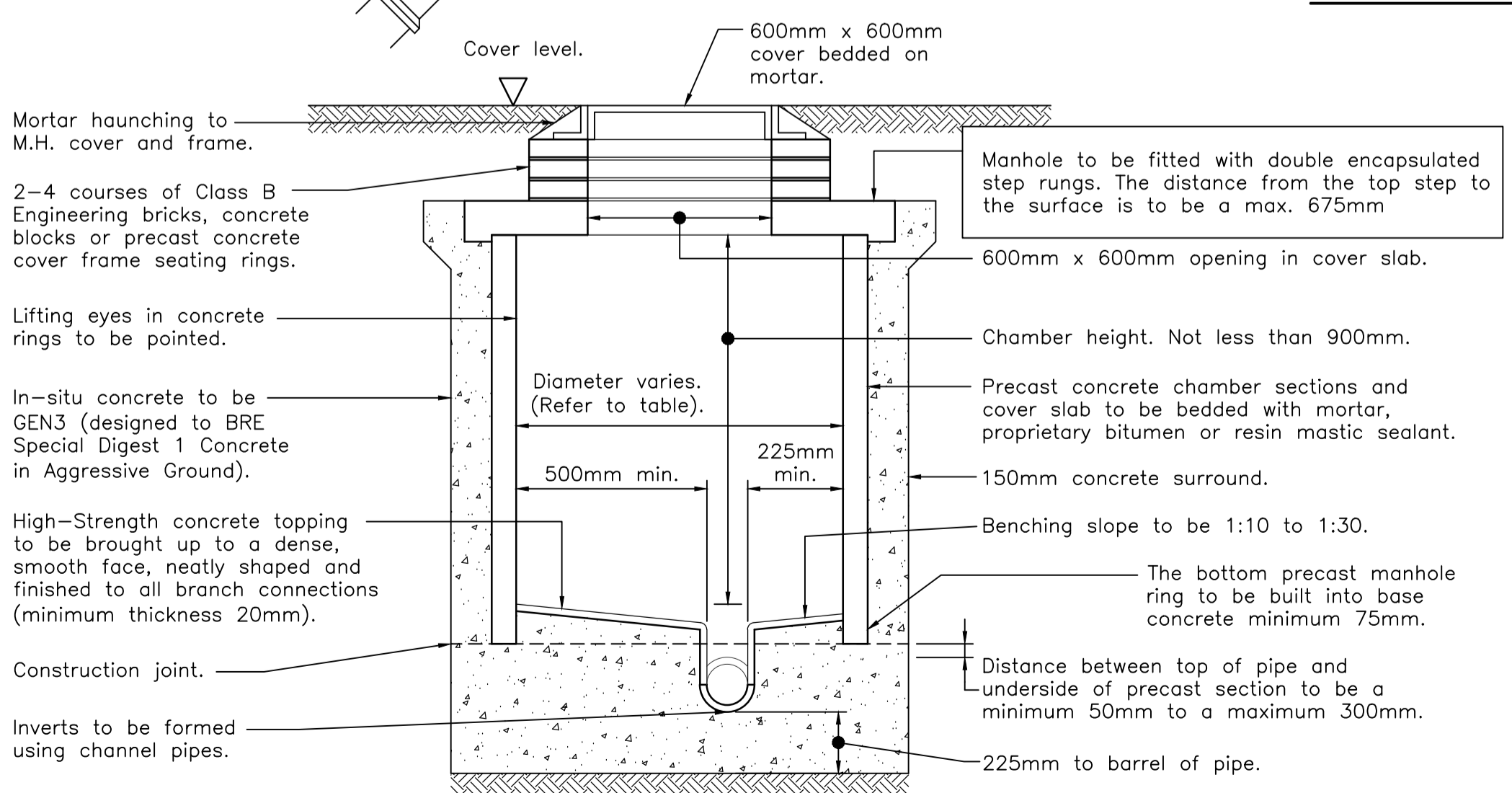
PRECAST TRAPPED GULLY



Rocker Pipes	
Nominal dia. (mm)	Effective length (m)
150 - 600	0.6
601 - 750	1.0
Over 750	1.25

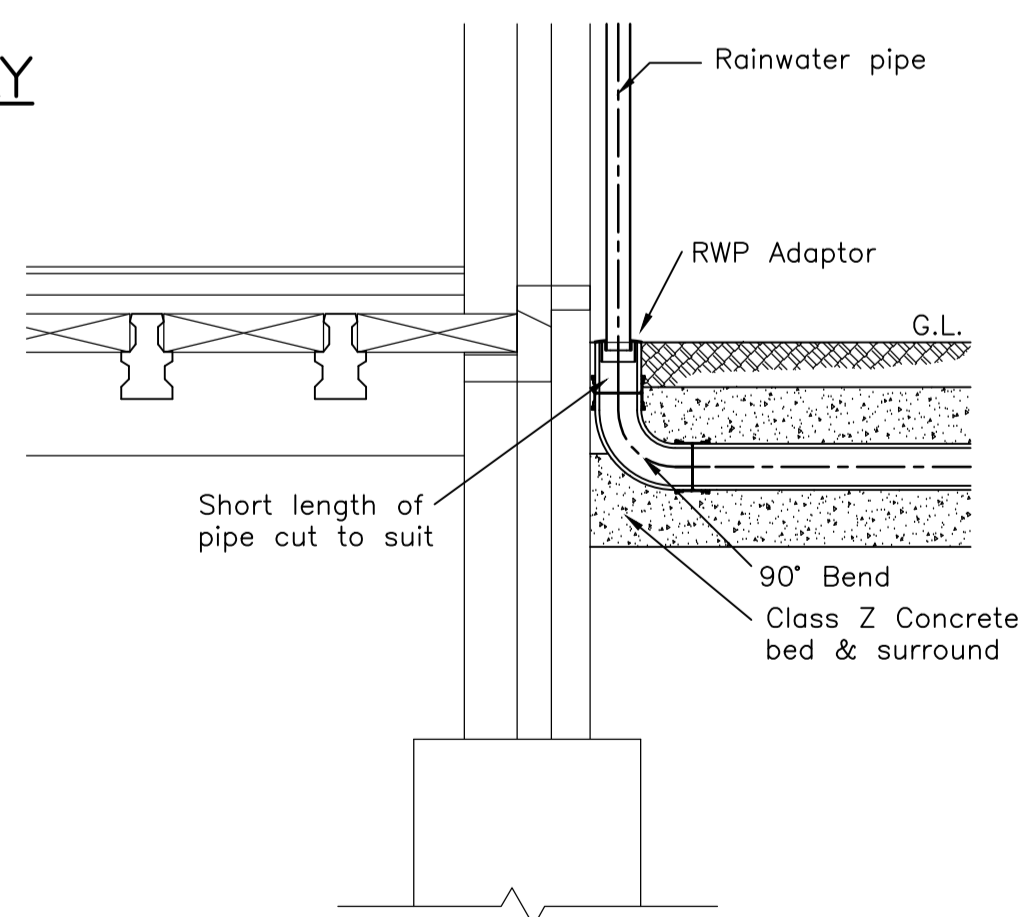


YARD GULLY



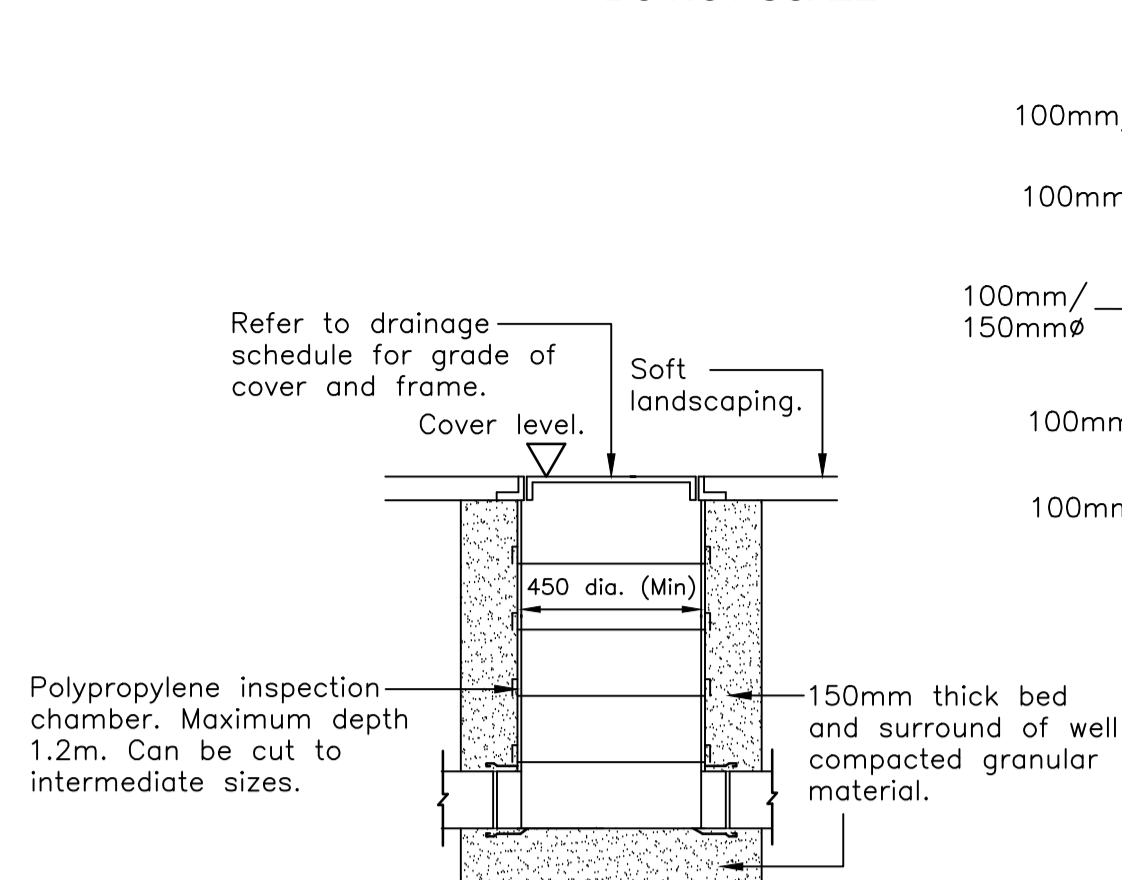
MANHOLE - TYPE B

Max. depth from cover level to soffit of pipe 3.0m

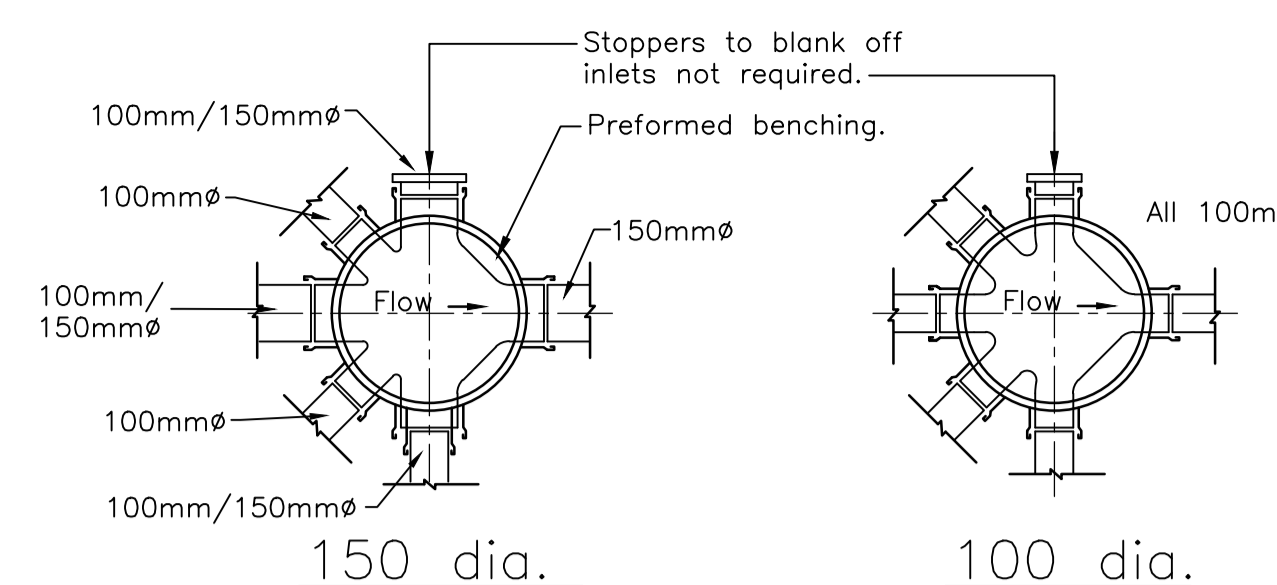


EXTERNAL RAINWATER PIPE CONNECTION DETAIL

DO NOT SCALE



UIC SITED IN SOFT LANDSCAPING

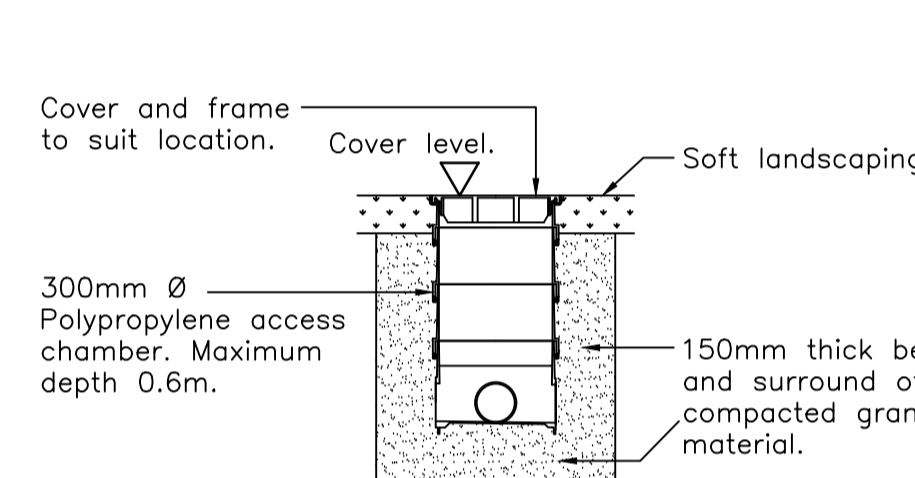


UNIVERSAL INSPECTION CHAMBER (UIC) - POLYPROPYLENE

Max. Depth from cover level to invert of pipe 1.2m

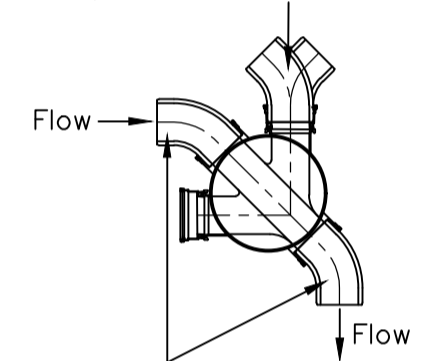


UIC SITED IN HARD LANDSCAPING

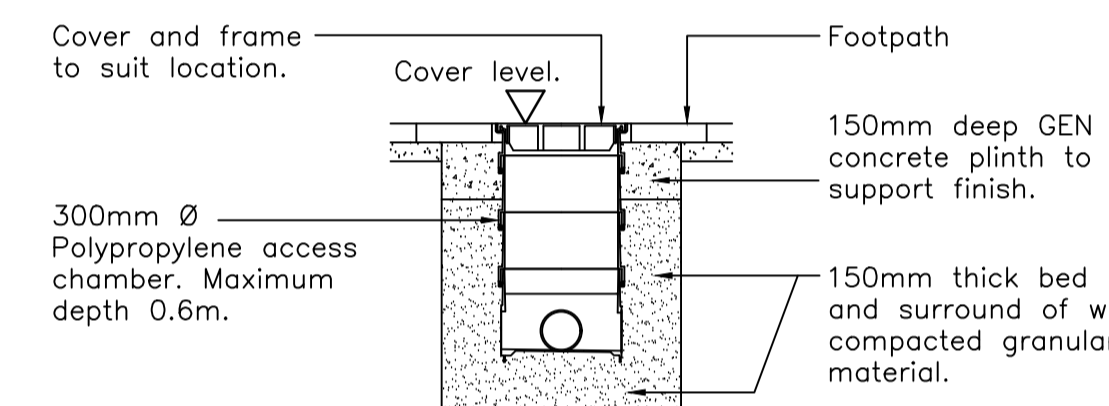


SA SITED IN SOFT LANDSCAPING

Bends of up to max 45° angle can be used on any inlet and the outlet.



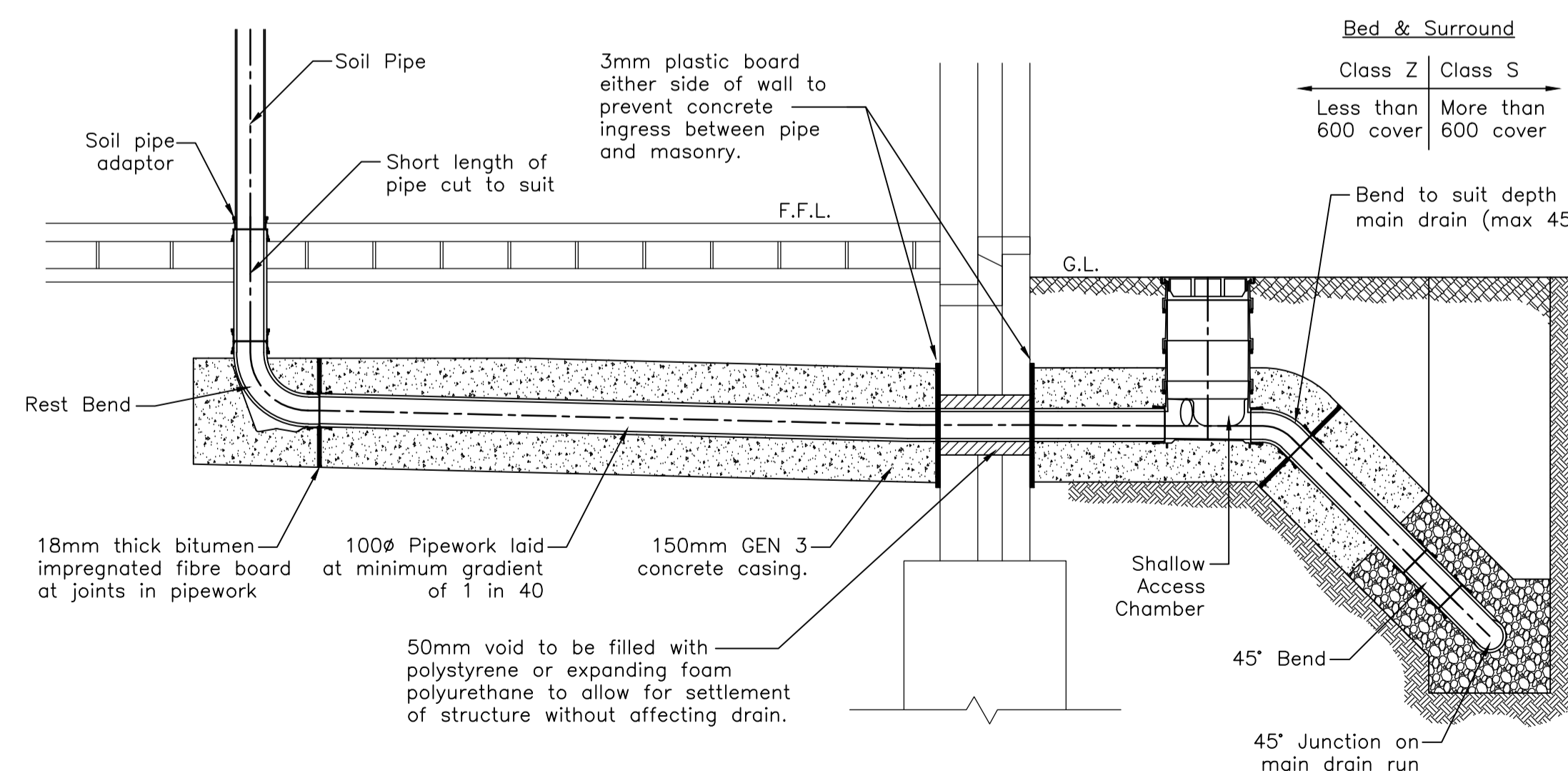
Where chambers are positioned on 90° corners always use the main channel by fitting a 45° bend on inlet and outlet.



SA SITED IN HARD LANDSCAPING

SHALLOW ACCESS CHAMBER (SA) - POLYPROPYLENE

Max. Depth from cover level to invert of pipe 0.6m



TYPICAL SOIL VENT PIPE & SHALLOW ACCESS CHAMBER DETAIL

NOTE

Adoptable sewers and manholes to be constructed in accordance with "Sewers for Adoption 7th Edition", and to the approval of the adopting water authority.

Private drainage to be constructed in accordance with the Building Regulations "Approved Document H".

FOR TENDER ISSUE	JDC	12.04.19
REVISION	BY	DATE

DRAWING STATUS

TENDER

DRAWING TITLE

DRAINAGE DETAILS SHEET 1 OF 2

PROJECT

Project Number P18-143

PREMIER INN EXTENSION WELWYN GARDEN CITY



8 Friday Street
Henley on Thames
Oxfordshire RG9 1AH
T:01491 576221

London, Henley-on-Thames, Gloucester and Exeter

Drawn JDC, Chkd AR, Scales NTS, Date APR19

Purpose of Issue

TENDER

Drawing Number

P18-143-04

Revision

-