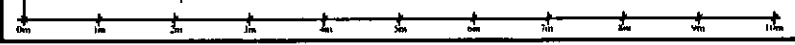
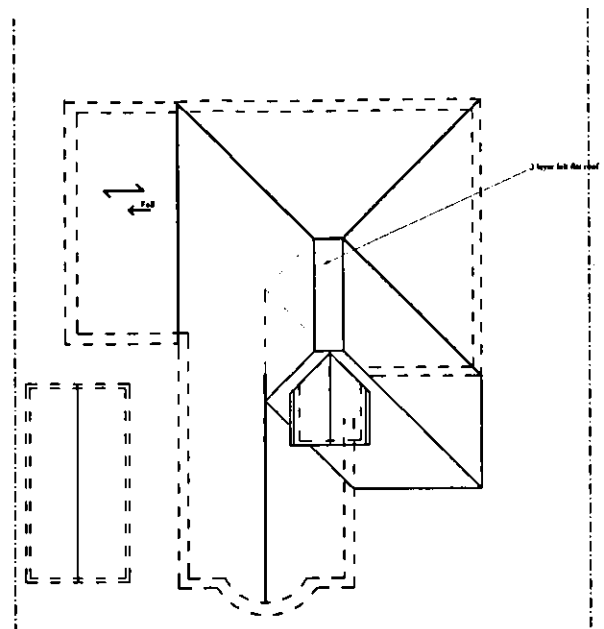


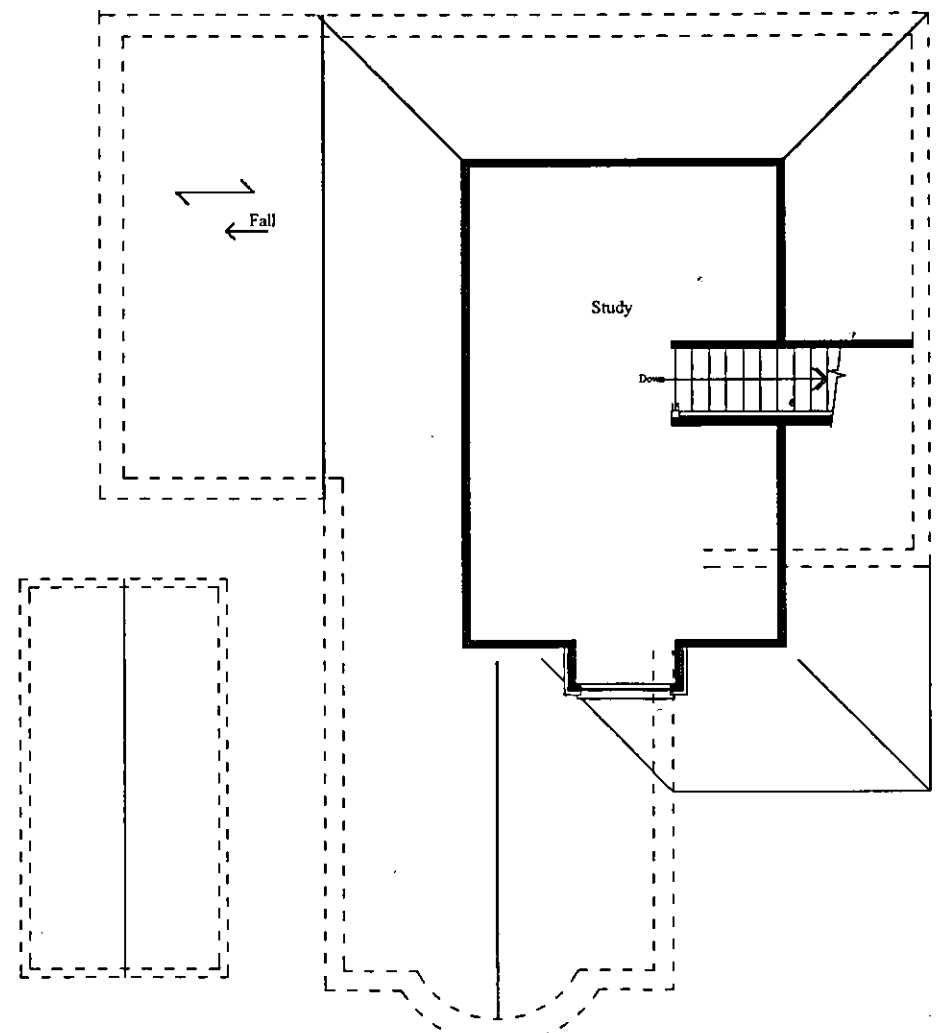
first floor plan



Neighbours property



roof plan



first floor plan

PLANNING  
DRAWING  
24 MAR 2014

project <b>Proposed loft conversion and front canopy</b>	
site 87 The Ridgeway Cuffley	
date August 2012	scale 1:100
<b>JOHN PERRIN &amp; CO</b>	
BUILDING SURVEYORS	
845 Green Lane, Wincobore Hill, London N21 2QS Tel: 0208 364 0334 Fax: 0208 292 0595 © John Perrin & Co. 2012	
drawing number <b>2334/11</b>	